

Sensor/Actuator cable - SAC-3P-M12Y/2X1,0-140/ M12FR - 1525924

Please be informed that the data shown in this PDF Document is generated from our Online Catalog. Please find the complete data in the user's documentation. Our General Terms of Use for Downloads are valid (<http://download.phoenixcontact.com>)



Sensor/Actuator cable, 3-position, PUR/PVC, Yellow RAL 1021, Plug straight M12, A-coded, on Socket angled M12, A-coded and Socket angled M12, A-coded, Cable length: 1 m

As shown in the illustration but with a yellow conductor

Key commercial data

package_quantity	1
GTIN	4017918951788

Technical data

Dimensions

Length of cable	1 m
------------------------	-----

Ambient conditions

Degree of protection	IP65
Degree of protection	IP67
Degree of protection	IP68

General

Rated current at 40°C	4 A
Rated voltage	250 V
Number of positions	3
Contact resistance	≤ 5 mΩ
Insulation resistance	≥ 10 GΩ
Coding	A - standard
Status display	No
Surge voltage category	II
Pollution degree	3
Insertion/withdrawal cycles	≥ 100

Material

Inflammability class according to UL 94	HB
Contact material	CuSn
Contact surface material	Ni/Au
Contact carrier material	TPU GF

Sensor/Actuator cable - SAC-3P-M12Y/2X1,0-140/ M12FR - 1525924

Technical data

Material

Material of grip body	TPU, hardly inflammable, self-extinguishing
Material, knurls	Zinc die-cast, nickel-plated
Sealing material	NBR

Cable

Cable type	PUR/PVC yellow
Cable type (abbreviation)	140
Cable abbreviation	LiYY-11Y
Conductor cross section	0.34 mm ²
AWG signal line	22
Conductor structure signal line	42x 0.10 mm
Core diameter including insulation	1.52 mm ±0.02 mm
Thickness, insulation	≥ 0.23 mm (Core insulation)
Thickness, insulation	≥ 0.38 mm (Outer cable sheath)
Thickness, insulation	approx. 0.45 mm (Inner sheath)
Wire colors	brown, blue, black
Overall twist	3 wires, twisted
External sheath, color	Yellow RAL 1021
External cable diameter D	5.2 mm ± 0.2 mm
Smallest bending radius, fixed installation	52 mm
Smallest bending radius, movable installation	52 mm
Number of bending cycles	2000000
Bending radius	52 mm
Traversing path	5 m
Traversing rate	3 m/s
Cable weight	37 kg/km
Outer sheath, material	PUR
Material, inner sheath	PVC
Material conductor insulation	PVC
Conductor material	Bare Cu litz wires
Insulation resistance	≥ 100 MΩ*km (at 20 °C)
Conductor resistance	max. 57.3 Ω/km (at 20 °C)
Nominal voltage, cable	300 V
Test voltage, cable	2500 V
Ambient temperature (operation)	-25 °C ... 80 °C (cable, fixed installation)
Ambient temperature (operation)	-5 °C ... 80 °C (cable, flexible installation)

classifications

eCl@ss

eCl@ss 4.0	27060306
-------------------	----------

Sensor/Actuator cable - SAC-3P-M12Y/2X1,0-140/ M12FR - 1525924

classifications

eCl@ss

eCl@ss 4.1	27060306
eCl@ss 5.0	27061801
eCl@ss 5.1	27061801
eCl@ss 6.0	27061801
eCl@ss 7.0	27061801
eCl@ss 8.0	27061801

ETIM

ETIM 2.0	EC000830
ETIM 3.0	EC001855
ETIM 4.0	EC001855
ETIM 5.0	EC001855


UNSPSC


UNSPSC 6.01	31251501
UNSPSC 7.0901	31251501
UNSPSC 11	31251501
UNSPSC 12.01	31251501
UNSPSC 13.2	31251501

approvals

UL Listed / cUL Listed / cULus Listed /

Approval details

UL Listed 	
Nominal voltage UN	300 V
Nominal current IN	4 A
mm ² /AWG/kcmil	

cUL Listed 	
Nominal voltage UN	300 V
Nominal current IN	4 A
mm ² /AWG/kcmil	

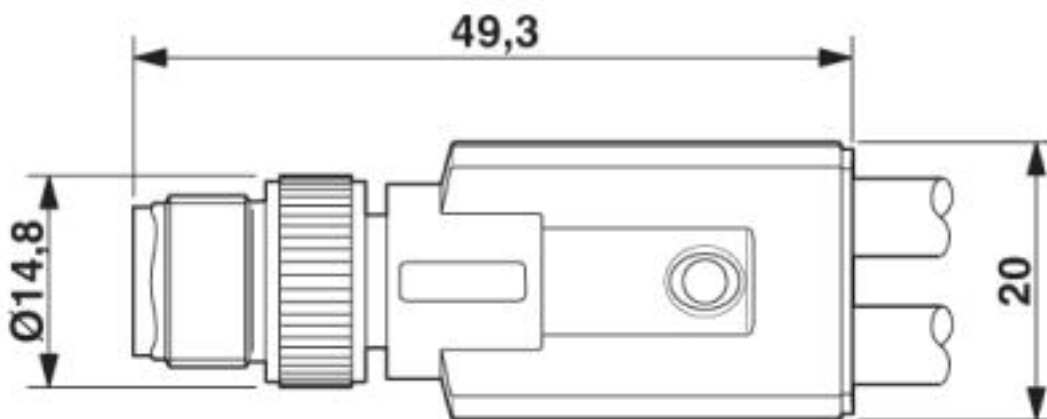
Sensor/Actuator cable - SAC-3P-M12Y/2X1,0-140/ M12FR - 1525924

approvals



Drawings

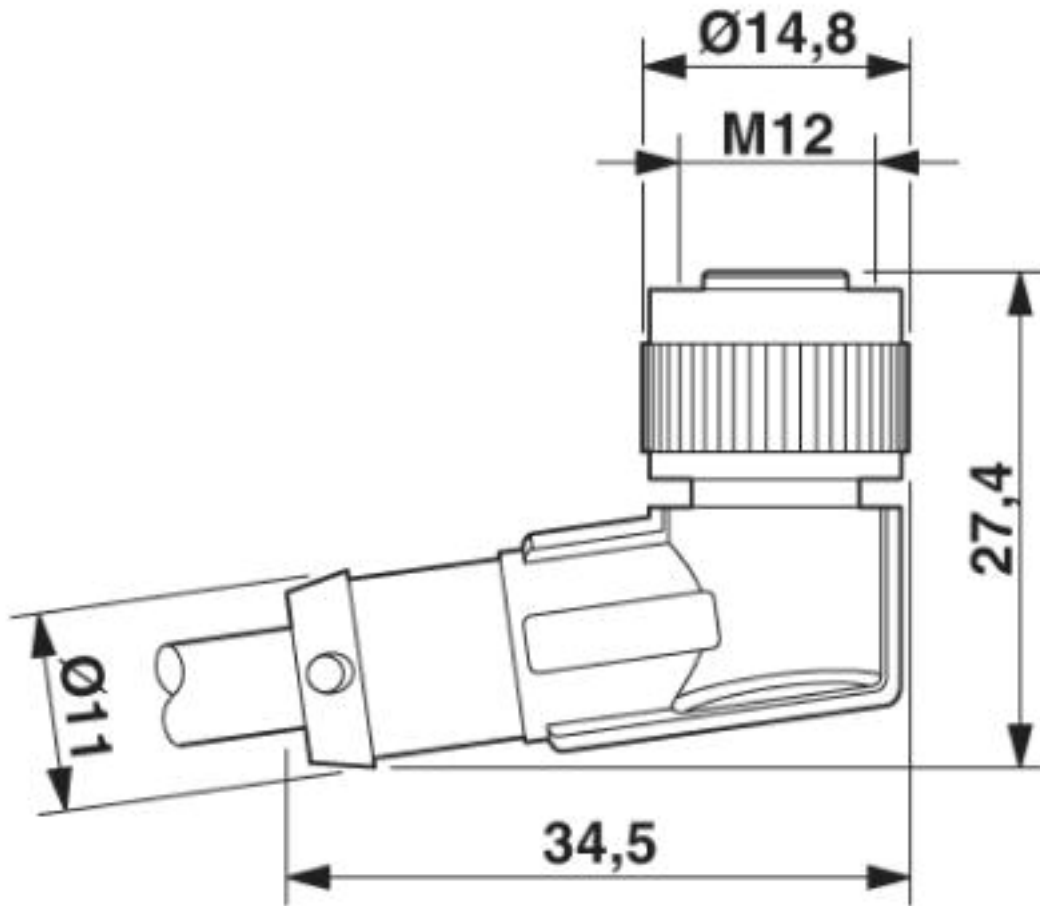
Dimensioned drawing



Plug M12 x 1, Y distributor

Sensor/Actuator cable - SAC-3P-M12Y/2X1,0-140/ M12FR - 1525924

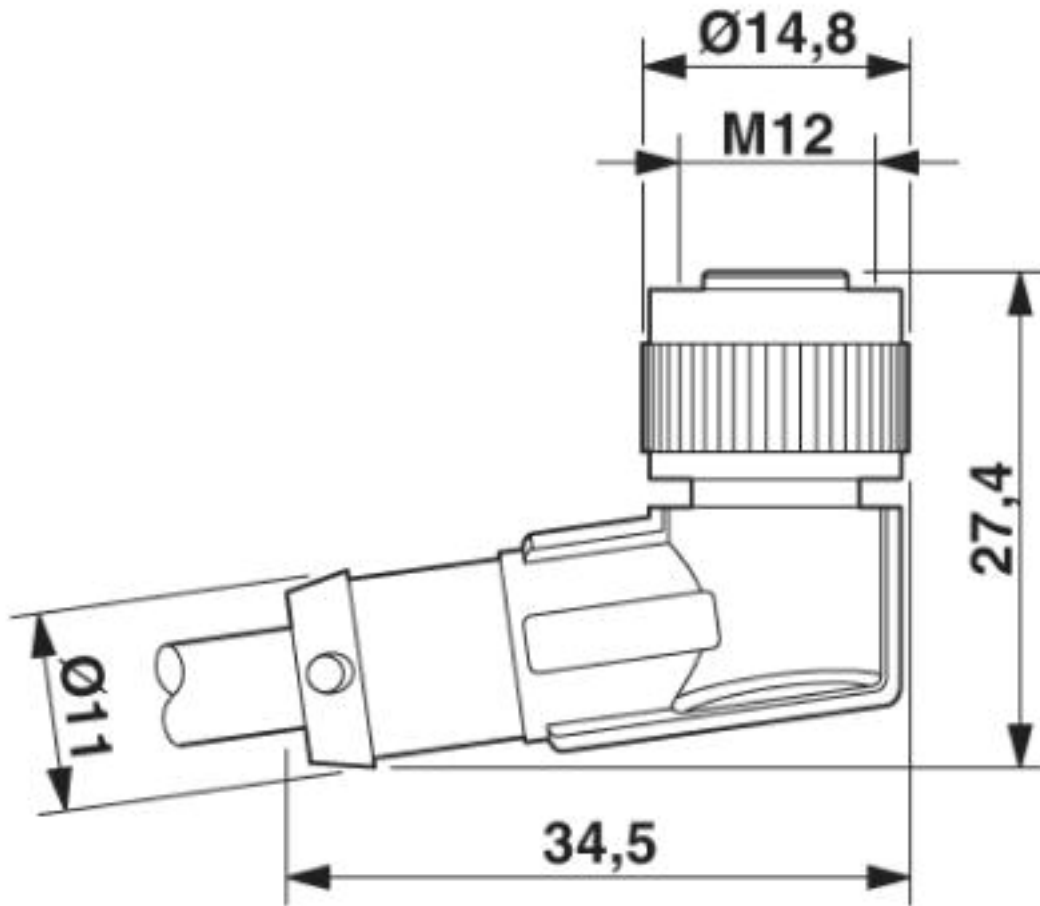
Dimensioned drawing



M12 x 1 socket, angled

Sensor/Actuator cable - SAC-3P-M12Y/2X1,0-140/ M12FR - 1525924

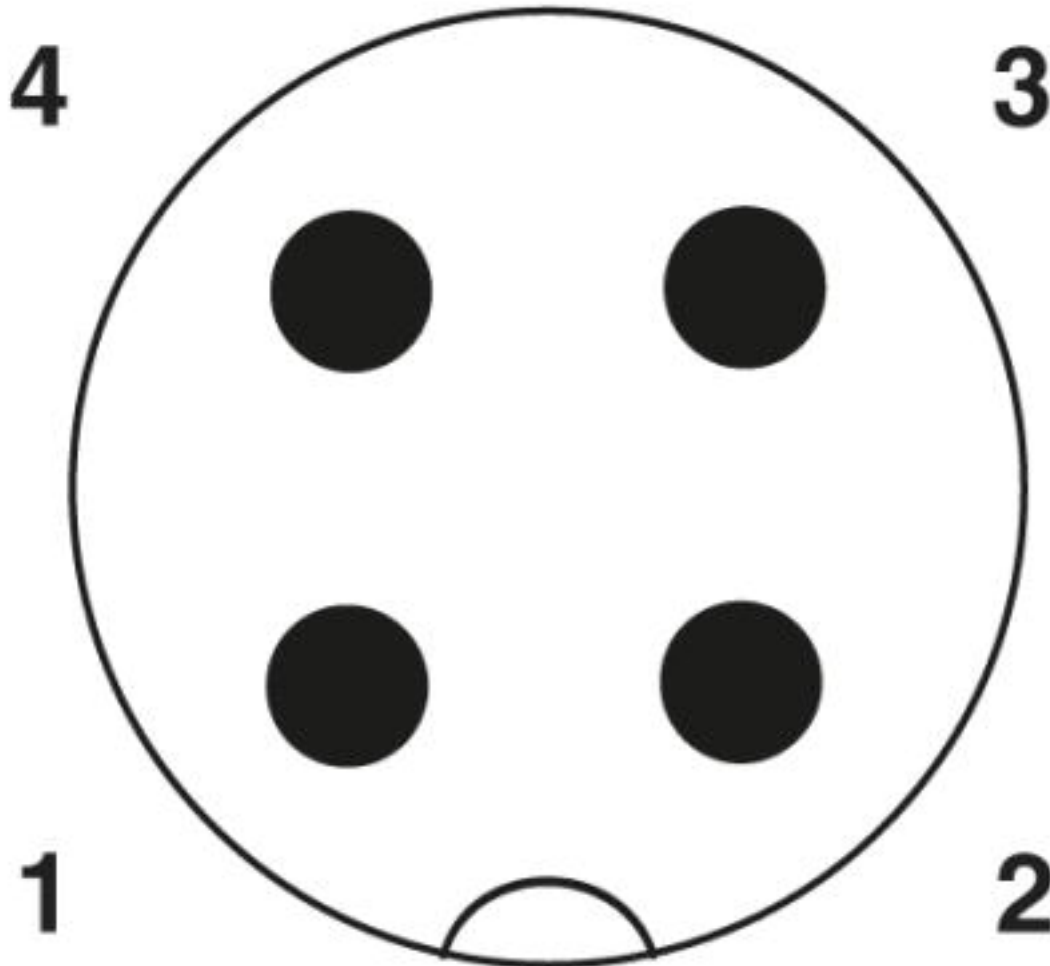
Dimensioned drawing



M12 x 1 socket, angled

Sensor/Actuator cable - SAC-3P-M12Y/2X1,0-140/ M12FR - 1525924

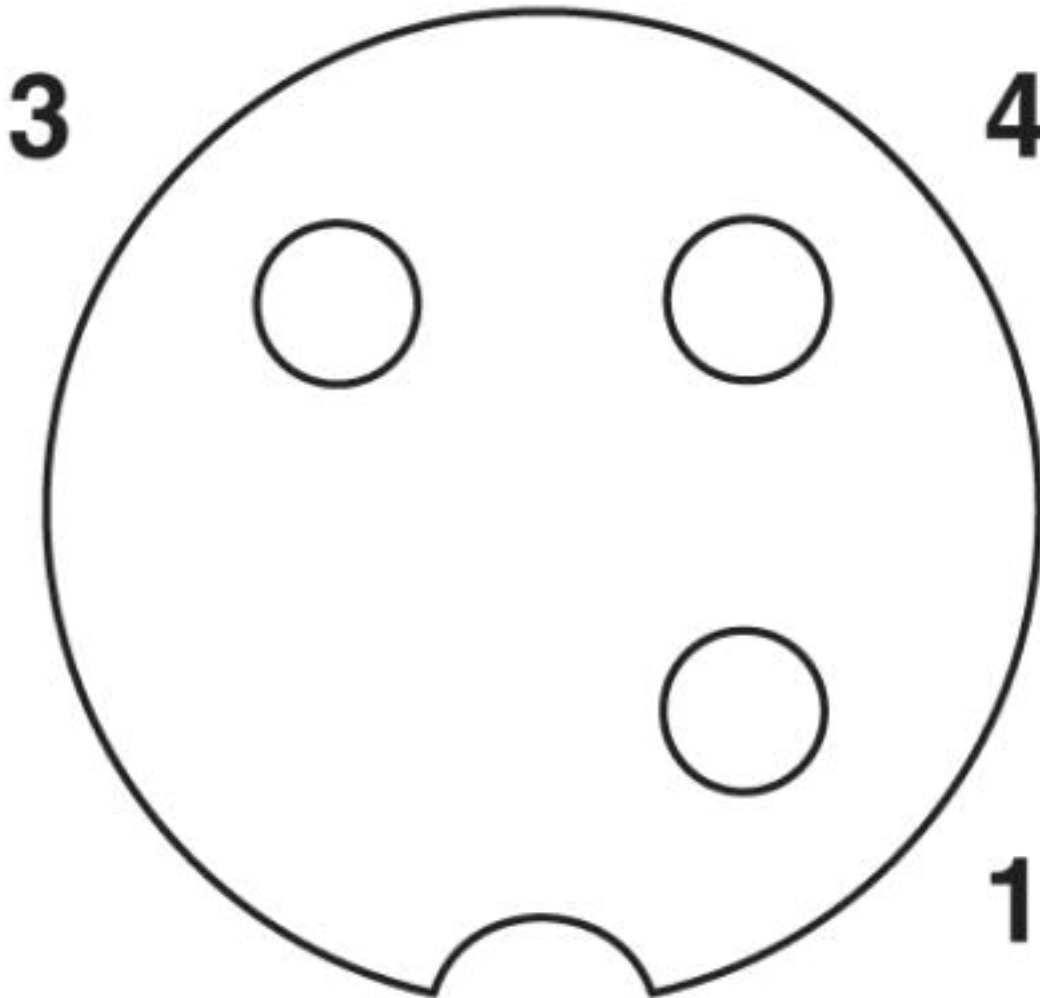
Schematic diagram



Pin assignment M12 plug, 4-pos., A-coded, view plug side

Sensor/Actuator cable - SAC-3P-M12Y/2X1,0-140/ M12FR - 1525924

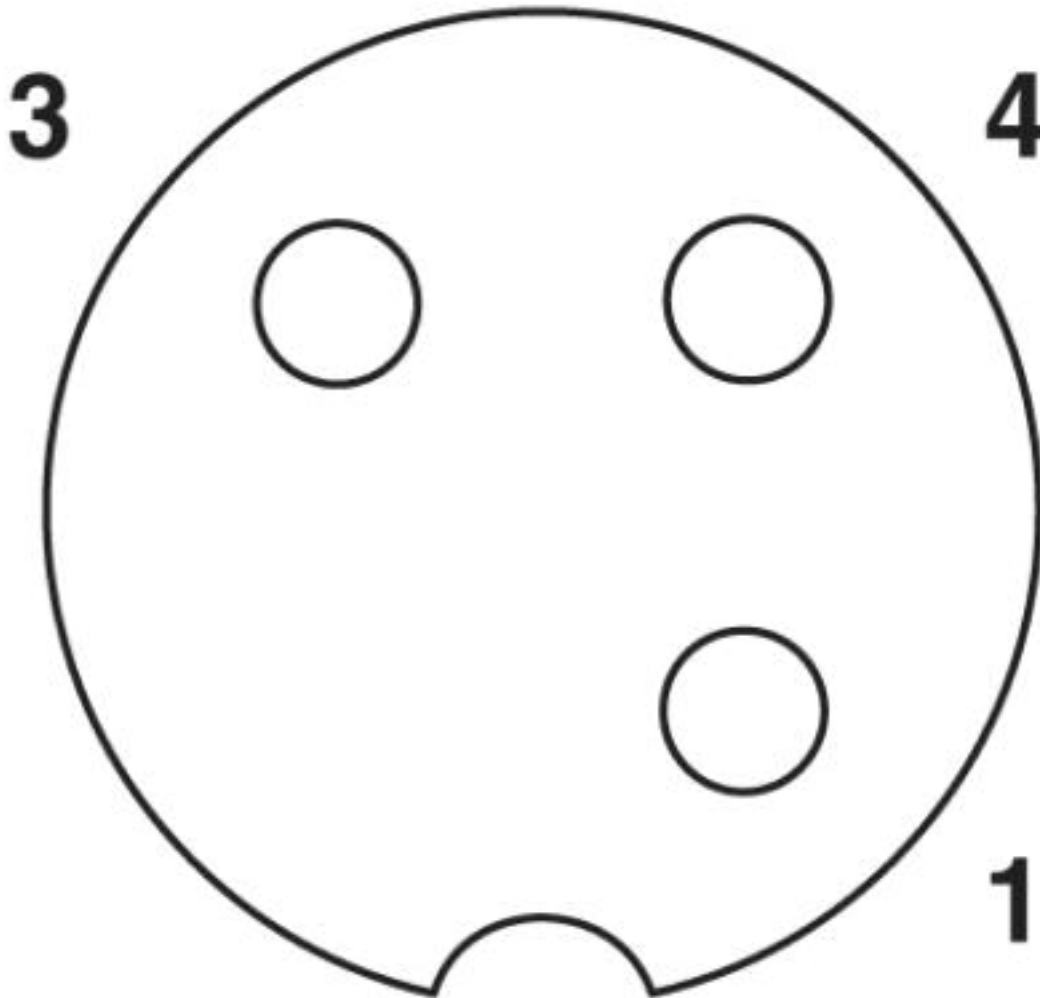
Schematic diagram



Pin assignment M12 socket, 3-pos., A-coded, view female side

Sensor/Actuator cable - SAC-3P-M12Y/2X1,0-140/ M12FR - 1525924

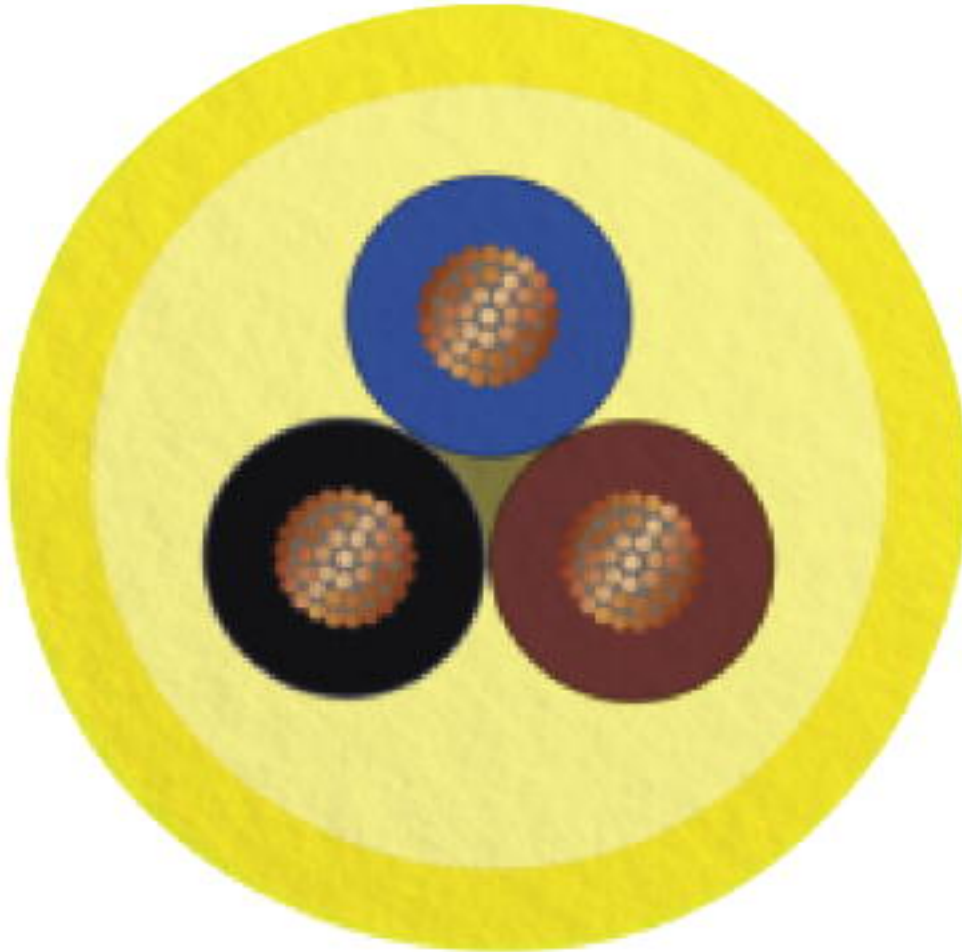
Schematic diagram



Pin assignment M12 socket, 3-pos., A-coded, view female side

Sensor/Actuator cable - SAC-3P-M12Y/2X1,0-140/ M12FR - 1525924

Cable cross section



PUR/PVC yellow [140]

© Phoenix Contact 2013 - all rights reserved
<http://www.phoenixcontact.com>