

# Bus system flat-type plug - SACCEC-M12FSD-4CON-M16/1,0-931 - 1528497

Please be informed that the data shown in this PDF Document is generated from our Online Catalog. Please find the complete data in the user's documentation. Our General Terms of Use for Downloads are valid (<http://download.phoenixcontact.com>)



Bus system flush-type socket, ETHERNET, 4-pos., M12, shielded, D-coded, front/screw mounting with M16 thread, can be positioned, with 1 m bus cable, 2 x 2 x 0.14 mm<sup>2</sup>

## Ethernet

### Key commercial data

package_quantity	1
GTIN	4046356023429

### Technical data

#### Dimensions

Length of cable	1 m
-----------------	-----

#### Ambient conditions

Ambient temperature (operation)	-25 °C ... 90 °C (Plug / socket)
Degree of protection	IP67

#### General

Rated current at 40°C	4 A
Rated voltage	60 V
Number of positions	4
Contact resistance	≤ 3 mΩ
Insulation resistance	≥ 100 MΩ
Coding	D - data
Status display	No
Surge voltage category	II
Pollution degree	3
Test voltage	2500 V

#### Material

Inflammability class according to UL 94	V0
Contact material	CuZn
Contact surface material	Ni/Au
Contact carrier material	PA 66
Material, knurls	Nickel-plated brass

# Bus system flat-type plug - SACCEC-M12FSD-4CON-M16/1,0-931 - 1528497

## Technical data

### Material

<b>Sealing material</b>	NBR
-------------------------	-----

### Cable

<b>Cable type</b>	PUR ETHERNET 2x2 FLEX
<b>Cable type (abbreviation)</b>	93E
<b>UL AWM style</b>	20963 (80°C/30 V)
<b>Cable structure</b>	2x2xAWG26/7; SF/UTP
<b>Conductor cross section</b>	2x 2x 0.14 mm <sup>2</sup>
<b>AWG signal line</b>	26
<b>Conductor structure signal line</b>	7x 0.16 mm
<b>Core diameter including insulation</b>	0.98 mm
<b>Wire colors</b>	white/orange-orange, white/green-green
<b>Twisted pairs</b>	2 cores to the pair
<b>Overall twist</b>	Two pairs with two fillers to the core
<b>Shielding</b>	Aluminum-coated foil, tinned copper braided shield
<b>Optical shield covering</b>	70 %
<b>External sheath, color</b>	water blue RAL 5021
<b>External cable diameter D</b>	6.4 mm ± 0.2 mm
<b>Minimum bending radius, fixed installation</b>	4 x D
<b>Minimum bending radius, flexible installation</b>	8 x D
<b>Cable weight</b>	42 kg/km
<b>Outer sheath, material</b>	PUR
<b>Material conductor insulation</b>	Foamed PE
<b>Conductor material</b>	Bare Cu litz wires
<b>Insulation resistance</b>	≥ 500 MΩ*km (at 20 °C)
<b>Conductor resistance</b>	≤ 290 Ω/km (at 20 °C)
<b>Transmission characteristics (category)</b>	CAT5 (IEC 11801:2002), CAT5e (TIA 568B:2001)
<b>Working capacitance</b>	45 nF (At 1 kHz)
<b>Wave impedance</b>	100 Ω ± 5 Ω (At 100 MHz)
<b>Signal runtime</b>	5.3 ns/m
<b>Nominal voltage, cable</b>	≤ 100 V
<b>Nominal voltage, cable</b>	300 V (Outer cable sheath)
<b>Test voltage Core/Core</b>	700 V (50 Hz, 1 min.)
<b>Test voltage Core/Shield</b>	700 V (50 Hz, 1 min.)
<b>Flame resistance</b>	IEC 60332-1-2
<b>Halogen-free</b>	According to IEC 60754-1
<b>Resistance to oil</b>	in accordance with DIN EN 60811-2-1
<b>Ambient temperature (operation)</b>	-40 °C ... 80 °C (cable, fixed installation)
<b>Ambient temperature (operation)</b>	-20 °C ... 80 °C (cable, flexible installation)

## Bus system flat-type plug - SACCEC-M12FSD-4CON-M16/1,0-931 - 1528497

### classifications

#### eCl@ss

eCl@ss 4.0	27140815
eCl@ss 4.1	27140815
eCl@ss 5.0	27143423
eCl@ss 5.1	27143423
eCl@ss 6.0	27143423
eCl@ss 7.0	27449001
eCl@ss 8.0	27449001

#### ETIM

ETIM 2.0	EC001297
ETIM 3.0	EC002061
ETIM 4.0	EC002061
ETIM 5.0	EC002061

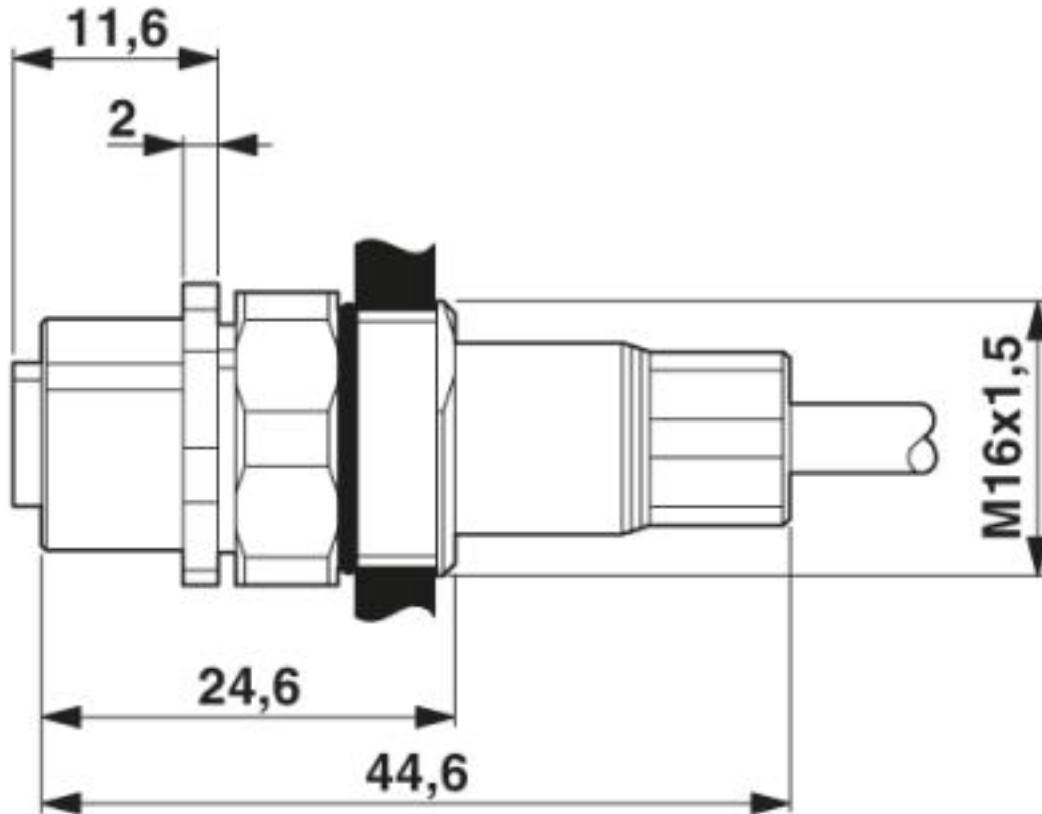
#### UNSPSC

UNSPSC 6.01	31251501
UNSPSC 7.0901	31251501
UNSPSC 11	31251501
UNSPSC 12.01	31251501
UNSPSC 13.2	31251501

### Drawings

# Bus system flat-type plug - SACCEC-M12FSD-4CON-M16/1,0-931 - 1528497

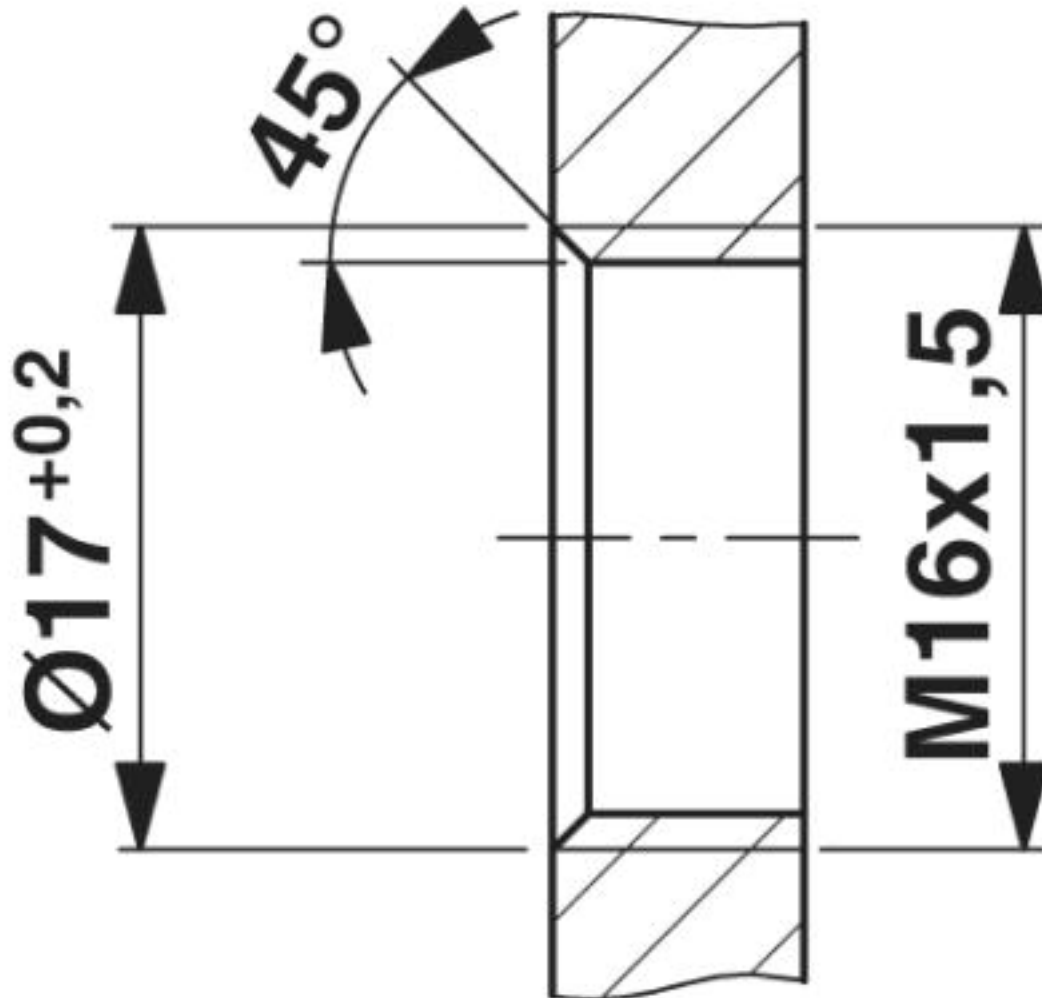
Dimensioned drawing



M12 flush-type connector

# Bus system flat-type plug - SACCEC-M12FSD-4CON-M16/1,0-931 - 1528497

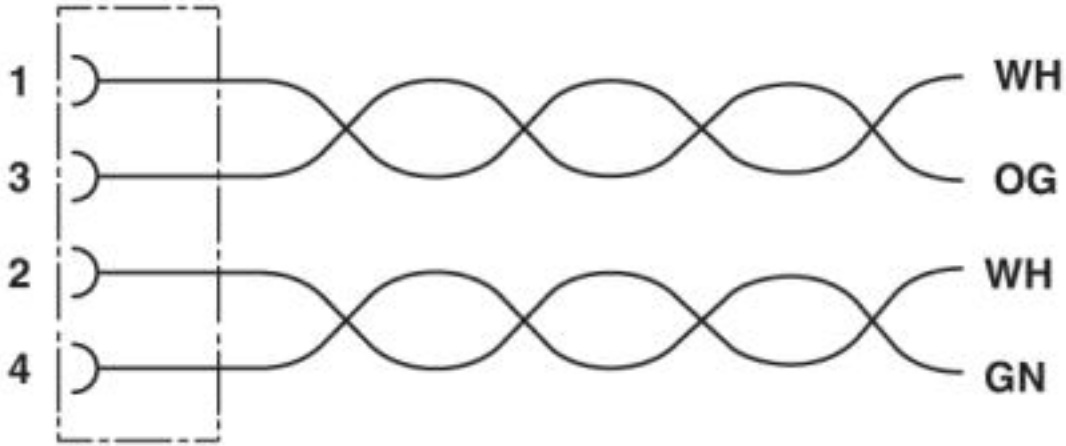
Dimensioned drawing



Housing cutout for M16 fastening thread, mounting panel with thread

# Bus system flat-type plug - SACCEC-M12FSD-4CON-M16/1,0-931 - 1528497

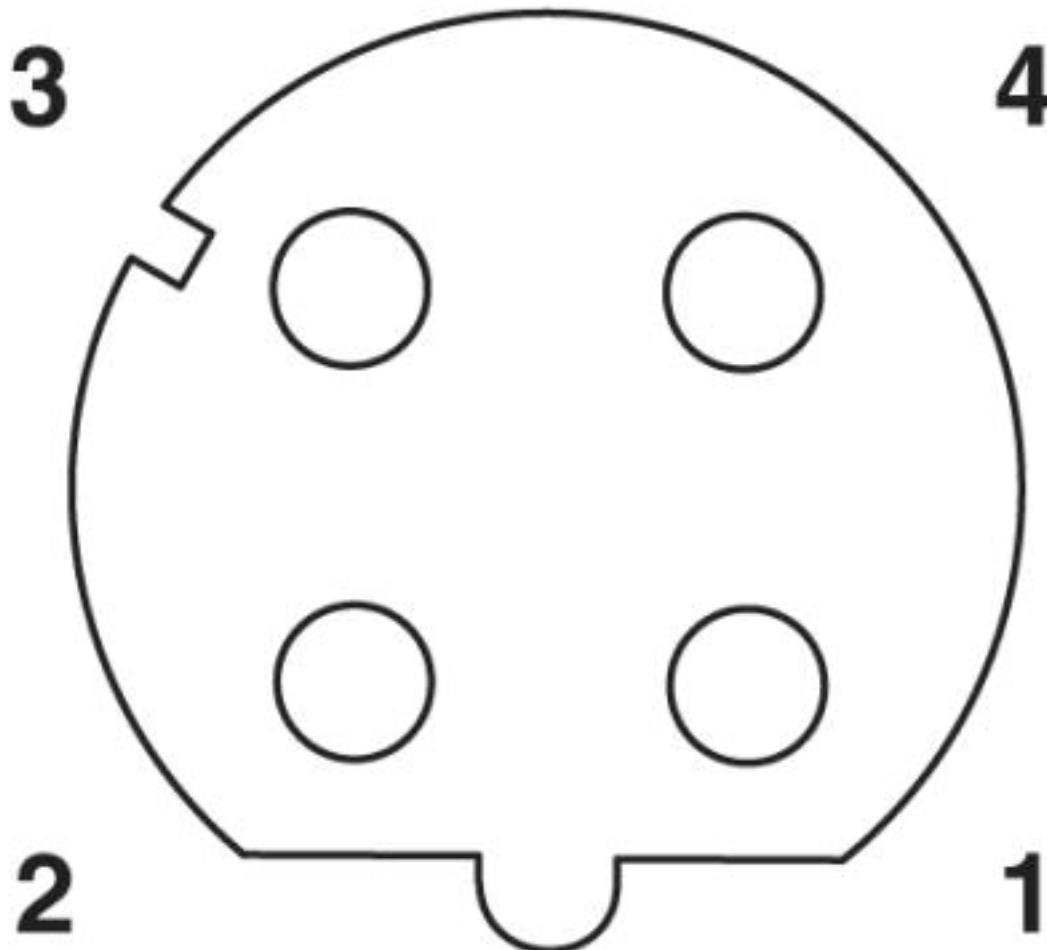
Circuit diagram



Contact assignment of the M12 socket

# Bus system flat-type plug - SACCEC-M12FSD-4CON-M16/1,0-931 - 1528497

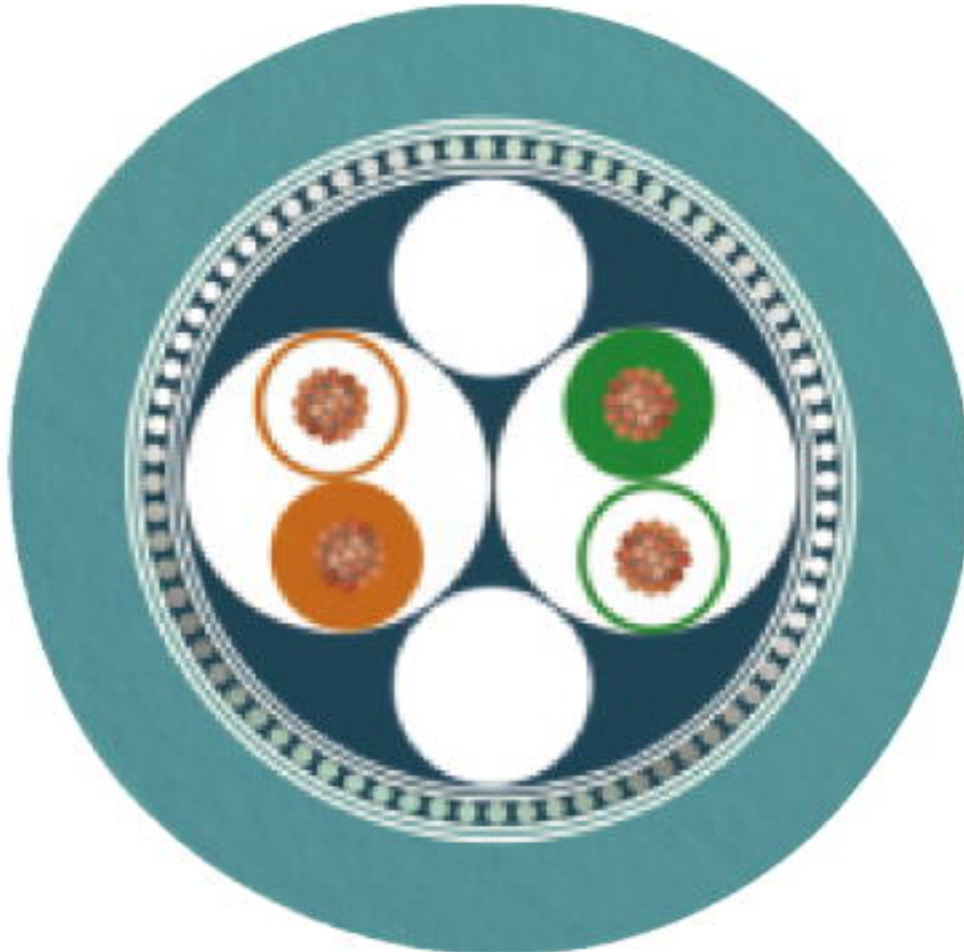
Schematic diagram



Pin assignment M12 socket, 4-pos., D-coded, female side

## Bus system flat-type plug - SACCEC-M12FSD-4CON-M16/1,0-931 - 1528497

Cable cross section



Ethernet [93E]

© Phoenix Contact 2013 - all rights reserved  
<http://www.phoenixcontact.com>