

# Sensor/Actuator cable - SAC-4P-MR/ 7,5-PUR/FR SCO - 1538306

Please be informed that the data shown in this PDF Document is generated from our Online Catalog. Please find the complete data in the user's documentation. Our General Terms of Use for Downloads are valid (<http://download.phoenixcontact.com>)



Sensor/Actuator cable, 4-position, PUR halogen-free, Black-gray RAL 7021, Plug angled M12 SPEEDCON, A-coded, on Socket angled M12 SPEEDCON, A-coded, Cable length: 7.5 m



## Key commercial data

package_quantity	1
GTIN	4046356075237

## Technical data

### Dimensions

Length of cable	7.5 m
-----------------	-------

### Ambient conditions

Degree of protection	IP65
Degree of protection	IP67
Degree of protection	IP68

### General

Rated current at 40°C	4 A
Rated voltage	250 V
Number of positions	4
Contact resistance	≤ 5 mΩ
Insulation resistance	≥ 100 MΩ
Coding	A - standard
Status display	No
Surge voltage category	II
Pollution degree	3

### Material

Inflammability class according to UL 94	HB
Contact material	CuSn
Contact surface material	Ni/Au
Contact carrier material	TPU GF
Material of grip body	TPU, hardly inflammable, self-extinguishing

# Sensor/Actuator cable - SAC-4P-MR/ 7,5-PUR/FR SCO - 1538306

## Technical data

### Material

<b>Material, knurls</b>	Zinc die-cast, nickel-plated
<b>Sealing material</b>	NBR

### Cable

<b>Cable type</b>	PUR halogen-free black
<b>Cable abbreviation</b>	Li9Y11Y-HF
<b>Conductor cross section</b>	0.34 mm <sup>2</sup>
<b>AWG signal line</b>	22
<b>Conductor structure signal line</b>	42x 0.10 mm
<b>Core diameter including insulation</b>	1.27 mm ±0.02 mm
<b>Thickness, insulation</b>	approx. 0.21 mm (Core insulation)
<b>Thickness, insulation</b>	approx. 0.8 mm (Outer cable sheath)
<b>Wire colors</b>	brown, white, blue, black
<b>Overall twist</b>	4 wires, twisted
<b>External sheath, color</b>	Black-gray RAL 7021
<b>External cable diameter</b>	4.70 mm
<b>Smallest bending radius, movable installation</b>	47 mm
<b>Number of bending cycles</b>	4000000
<b>Bending radius</b>	47 mm
<b>Traversing path</b>	10 m
<b>Traversing rate</b>	3 m/s
<b>Cable weight</b>	30 kg/km
<b>Outer sheath, material</b>	PUR
<b>Material conductor insulation</b>	PP
<b>Conductor material</b>	Bare Cu litz wires
<b>Insulation resistance</b>	≥ 100 MΩ*km
<b>Conductor resistance</b>	≤ 58 Ω/km
<b>Nominal voltage, cable</b>	300 V
<b>Test voltage, cable</b>	3000 V

## classifications

### eCl@ss

<b>eCl@ss 4.0</b>	27060306
<b>eCl@ss 4.1</b>	27060306
<b>eCl@ss 5.0</b>	27061801
<b>eCl@ss 5.1</b>	27061801
<b>eCl@ss 6.0</b>	27061801
<b>eCl@ss 7.0</b>	27061801
<b>eCl@ss 8.0</b>	27061801

### ETIM

<b>ETIM 2.0</b>	EC000830
-----------------	----------

# Sensor/Actuator cable - SAC-4P-MR/ 7,5-PUR/FR SCO - 1538306

## classifications

### ETIM

<b>ETIM 3.0</b>	EC001855
<b>ETIM 4.0</b>	EC001855
<b>ETIM 5.0</b>	EC001855


### UNSPSC


<b>UNSPSC 6.01</b>	31251501
<b>UNSPSC 7.0901</b>	31251501
<b>UNSPSC 11</b>	31251501
<b>UNSPSC 12.01</b>	31251501
<b>UNSPSC 13.2</b>	31251501


## approvals

UL Listed / cUL Listed / cULus Listed /

### Approval details

<b>UL Listed</b> 	
Nominal voltage UN	300 V
Nominal current IN	4 A
mm <sup>2</sup> /AWG/kcmil	

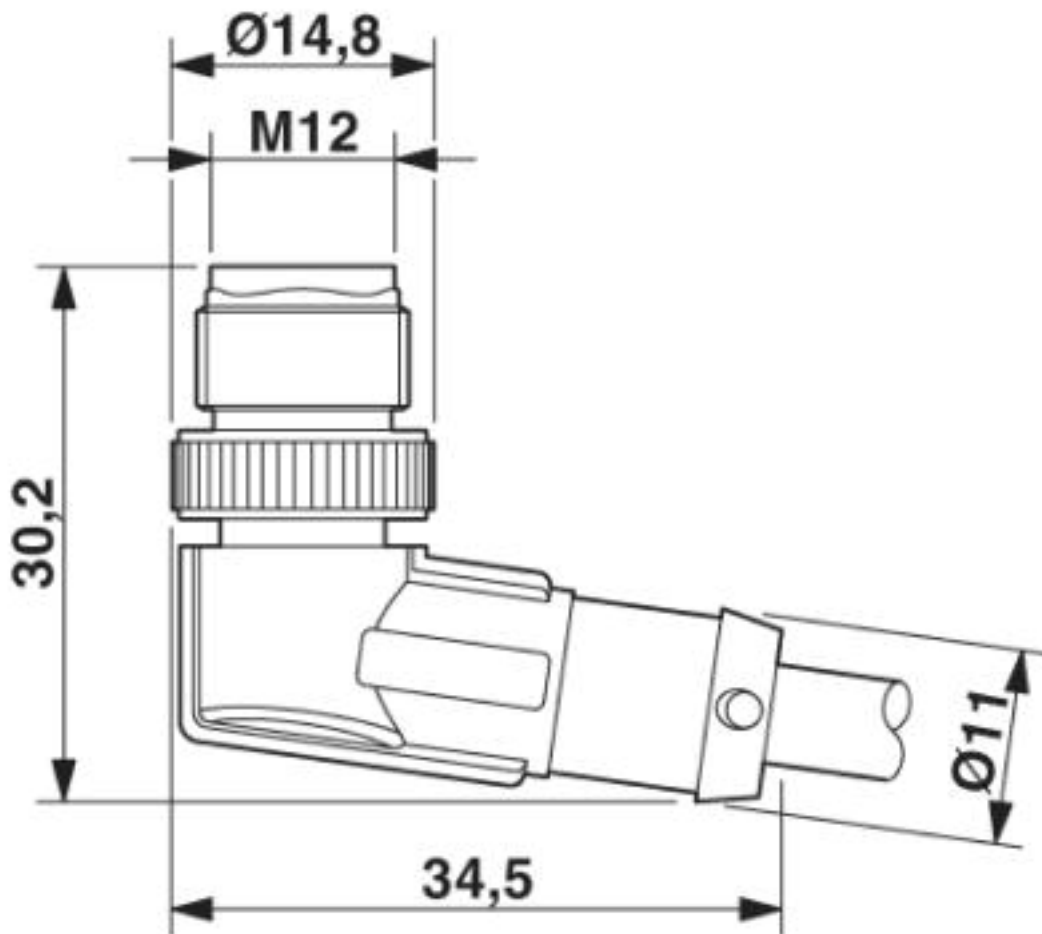
<b>cUL Listed</b> 	
Nominal voltage UN	300 V
Nominal current IN	4 A
mm <sup>2</sup> /AWG/kcmil	

<b>cULus Listed</b> 	
---	--

## Drawings

# Sensor/Actuator cable - SAC-4P-MR/ 7,5-PUR/FR SCO - 1538306

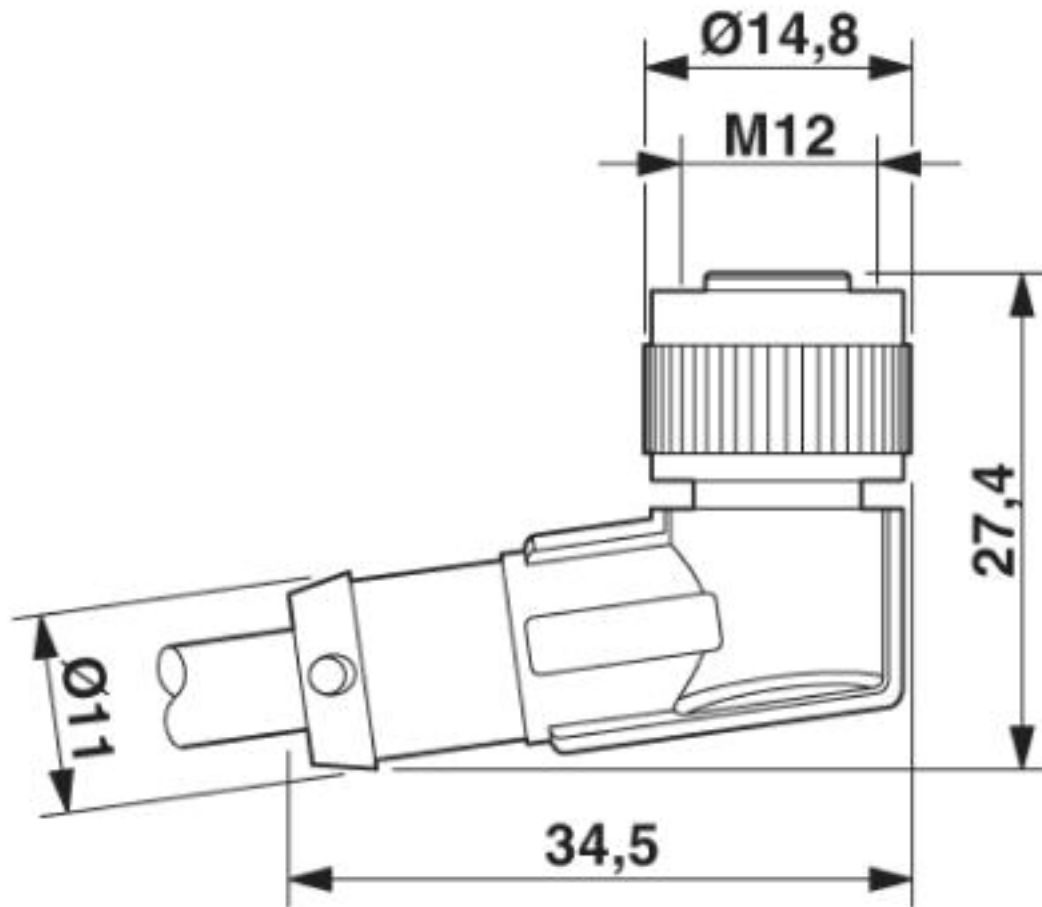
Dimensioned drawing



M12 x 1 male plug, angled

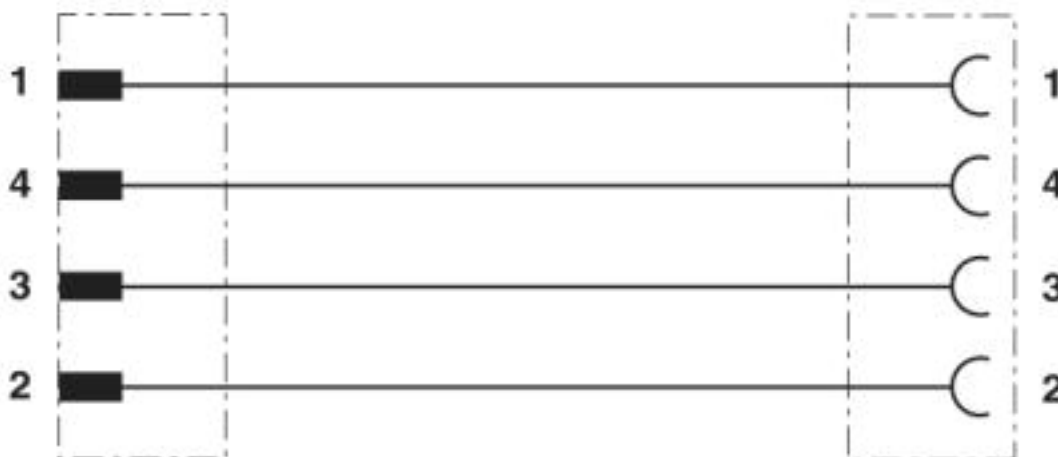
# Sensor/Actuator cable - SAC-4P-MR/ 7,5-PUR/FR SCO - 1538306

Dimensioned drawing



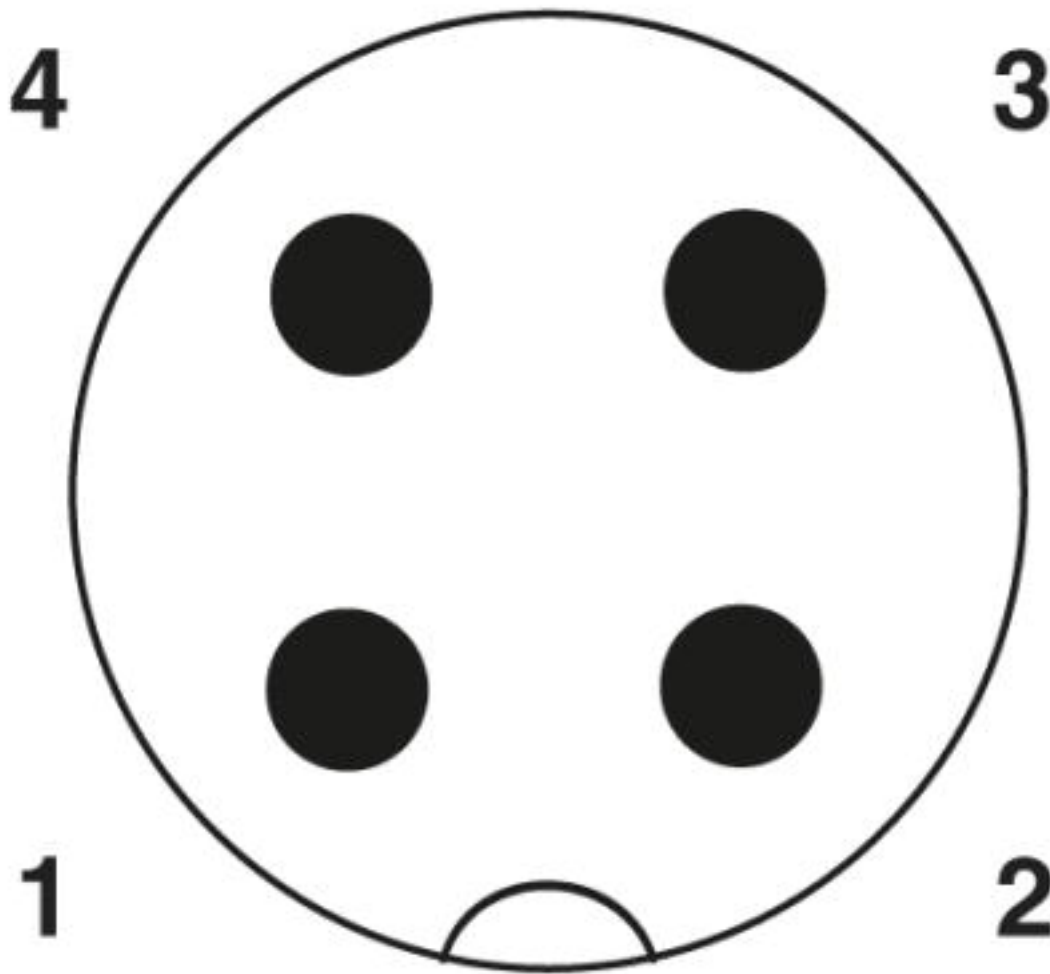
M12 x 1 socket, angled

Circuit diagram



# Sensor/Actuator cable - SAC-4P-MR/ 7,5-PUR/FR SCO - 1538306

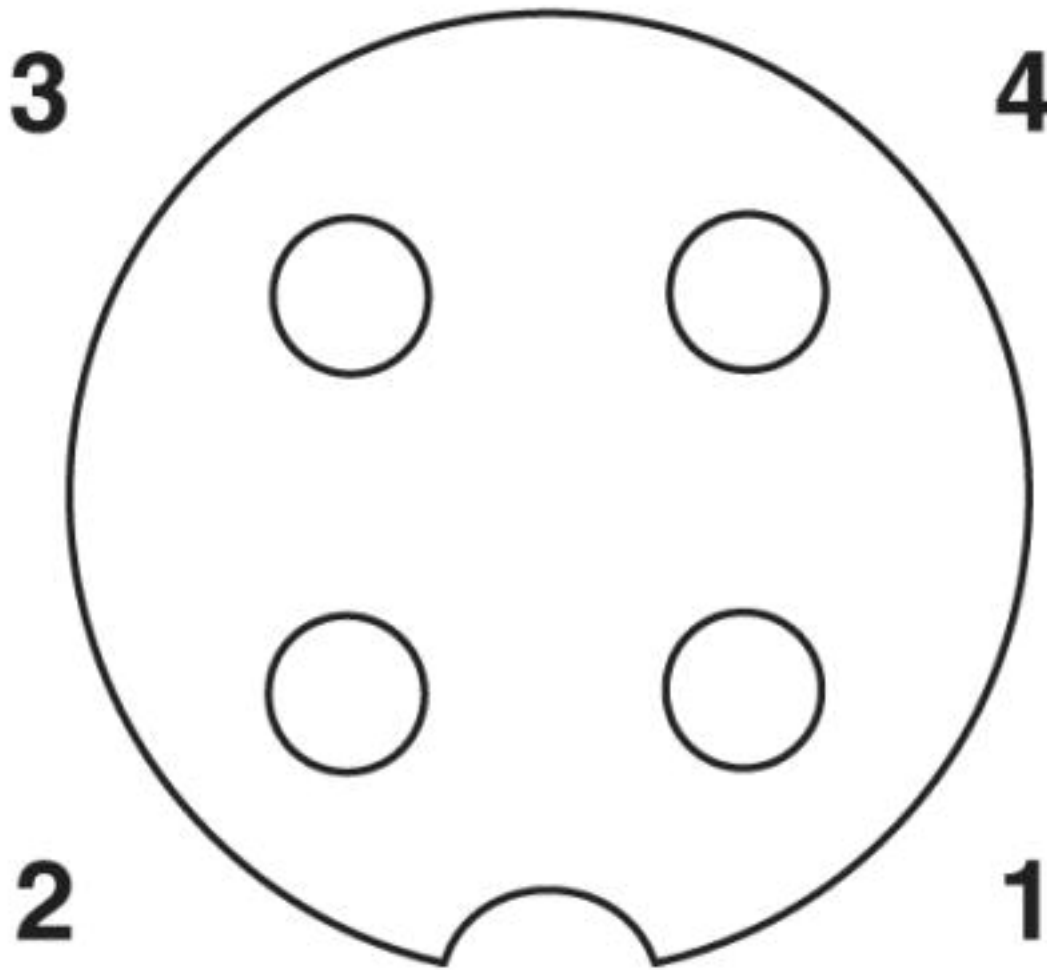
Schematic diagram



Pin assignment M12 plug, 4-pos., A-coded, view plug side

# Sensor/Actuator cable - SAC-4P-MR/ 7,5-PUR/FR SCO - 1538306

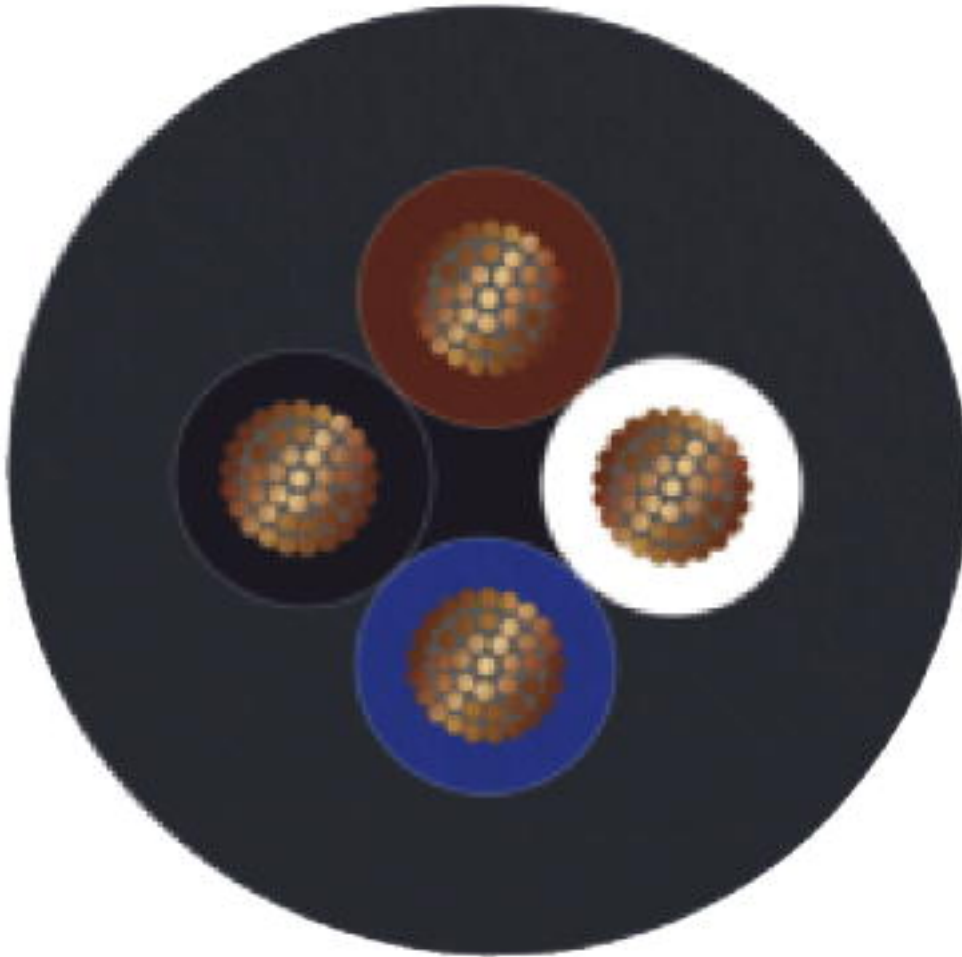
Schematic diagram



Pin assignment M12 socket, 4-pos., A-coded, view female side

## Sensor/Actuator cable - SAC-4P-MR/ 7,5-PUR/FR SCO - 1538306

Cable cross section



PUR halogen-free black [PUR]

© Phoenix Contact 2013 - all rights reserved  
<http://www.phoenixcontact.com>