

# Sensor/Actuator cable - SAC-4P-MR/15,0-PUR/FR SCO - 1539460

Please be informed that the data shown in this PDF Document is generated from our Online Catalog. Please find the complete data in the user's documentation. Our General Terms of Use for Downloads are valid (<http://download.phoenixcontact.com>)



Sensor/Actuator cable, 4-position, PUR halogen-free, Black-gray RAL 7021, Plug angled M12 SPEEDCON, A-coded, on Socket angled M12 SPEEDCON, A-coded, Cable length: 15 m



## Key commercial data

package_quantity	1
GTIN	4046356080439

## Technical data

### Dimensions

Length of cable	15 m
-----------------	------

### Ambient conditions

Degree of protection	IP65
Degree of protection	IP67
Degree of protection	IP68

### General

Rated current at 40°C	4 A
Rated voltage	250 V
Number of positions	4
Contact resistance	≤ 5 mΩ
Insulation resistance	≥ 100 MΩ
Coding	A - standard
Status display	No
Surge voltage category	II
Pollution degree	3

### Material

Inflammability class according to UL 94	HB
Contact material	CuSn
Contact surface material	Ni/Au
Contact carrier material	TPU GF
Material of grip body	TPU, hardly inflammable, self-extinguishing

# Sensor/Actuator cable - SAC-4P-MR/15,0-PUR/FR SCO - 1539460

## Technical data

### Material

Material, knurls	Zinc die-cast, nickel-plated
Sealing material	NBR

### Cable

Cable type	PUR halogen-free black
Cable abbreviation	Li9Y11Y-HF
Conductor cross section	0.34 mm <sup>2</sup>
AWG signal line	22
Conductor structure signal line	42x 0.10 mm
Core diameter including insulation	1.27 mm ±0.02 mm
Thickness, insulation	approx. 0.21 mm (Core insulation)
Thickness, insulation	approx. 0.8 mm (Outer cable sheath)
Wire colors	brown, white, blue, black
Overall twist	4 wires, twisted
External sheath, color	Black-gray RAL 7021
External cable diameter	4.70 mm
Smallest bending radius, movable installation	47 mm
Number of bending cycles	4000000
Bending radius	47 mm
Traversing path	10 m
Traversing rate	3 m/s
Cable weight	30 kg/km
Outer sheath, material	PUR
Material conductor insulation	PP
Conductor material	Bare Cu litz wires
Insulation resistance	≥ 100 MΩ*km
Conductor resistance	≤ 58 Ω/km
Nominal voltage, cable	300 V
Test voltage, cable	3000 V

## classifications

### eCl@ss

eCl@ss 4.0	27060306
eCl@ss 4.1	27060306
eCl@ss 5.0	27061801
eCl@ss 5.1	27061801
eCl@ss 6.0	27061801
eCl@ss 7.0	27061801
eCl@ss 8.0	27061801

### ETIM

ETIM 3.0	EC001855
----------	----------

# Sensor/Actuator cable - SAC-4P-MR/15,0-PUR/FR SCO - 1539460

## classifications

### ETIM

<b>ETIM 4.0</b>	EC001855
<b>ETIM 5.0</b>	EC001855

### UNSPSC

<b>UNSPSC 6.01</b>	31251501
<b>UNSPSC 7.0901</b>	31251501
<b>UNSPSC 11</b>	31251501
<b>UNSPSC 12.01</b>	31251501
<b>UNSPSC 13.2</b>	31251501

## approvals

UL Listed / cUL Listed / cULus Listed /

### Approval details

<b>UL Listed</b>	
Nominal voltage UN	300 V
Nominal current IN	4 A
mm <sup>2</sup> /AWG/kcmil	

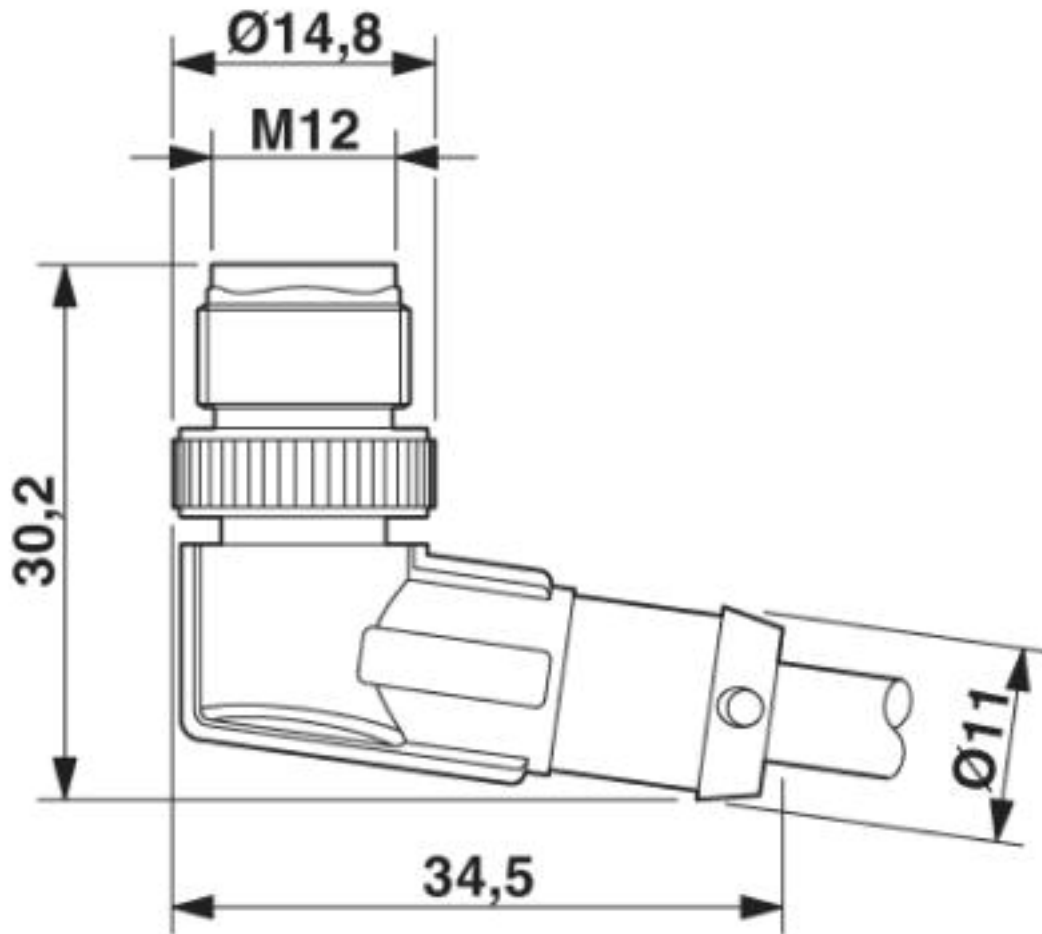
<b>cUL Listed</b>	
Nominal voltage UN	300 V
Nominal current IN	4 A
mm <sup>2</sup> /AWG/kcmil	

<b>cULus Listed</b>	
---------------------	--

## Drawings

# Sensor/Actuator cable - SAC-4P-MR/15,0-PUR/FR SCO - 1539460

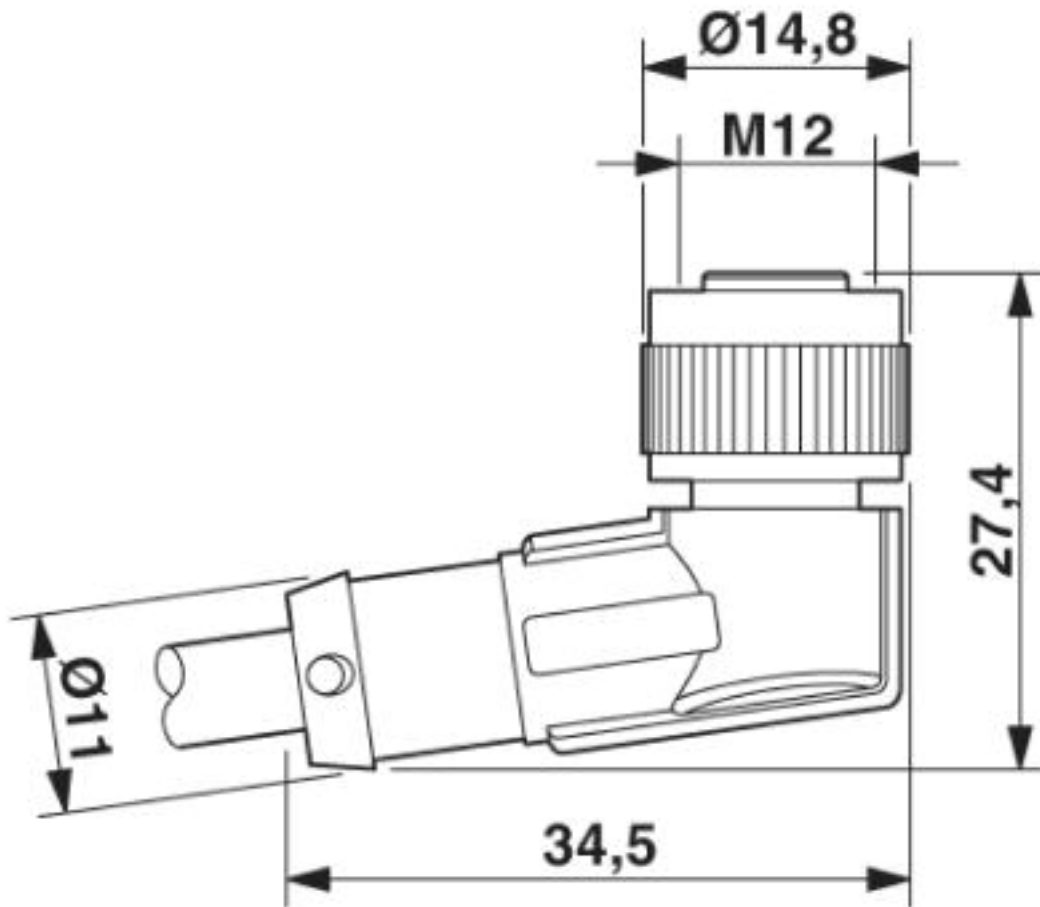
Dimensioned drawing



M12 x 1 male plug, angled

# Sensor/Actuator cable - SAC-4P-MR/15,0-PUR/FR SCO - 1539460

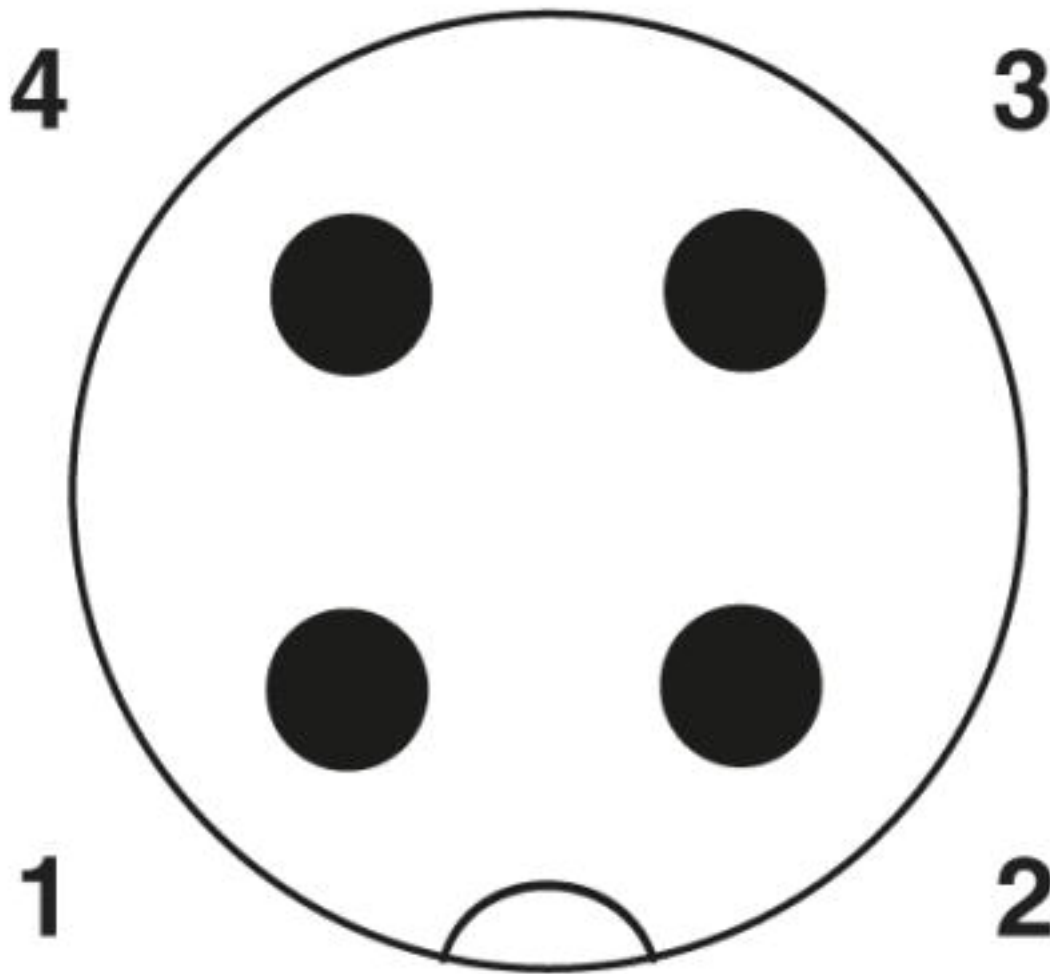
Dimensioned drawing



M12 x 1 socket, angled

# Sensor/Actuator cable - SAC-4P-MR/15,0-PUR/FR SCO - 1539460

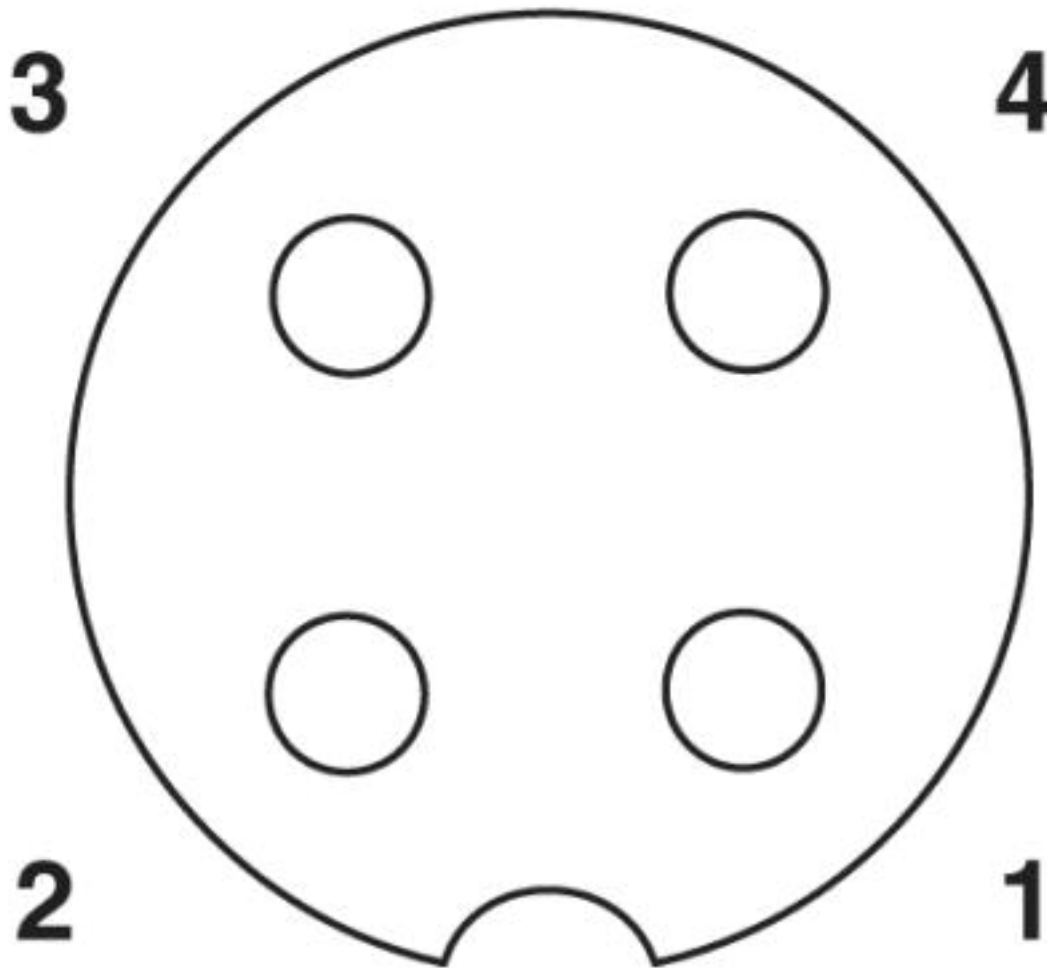
Schematic diagram



Pin assignment M12 plug, 4-pos., A-coded, view plug side

# Sensor/Actuator cable - SAC-4P-MR/15,0-PUR/FR SCO - 1539460

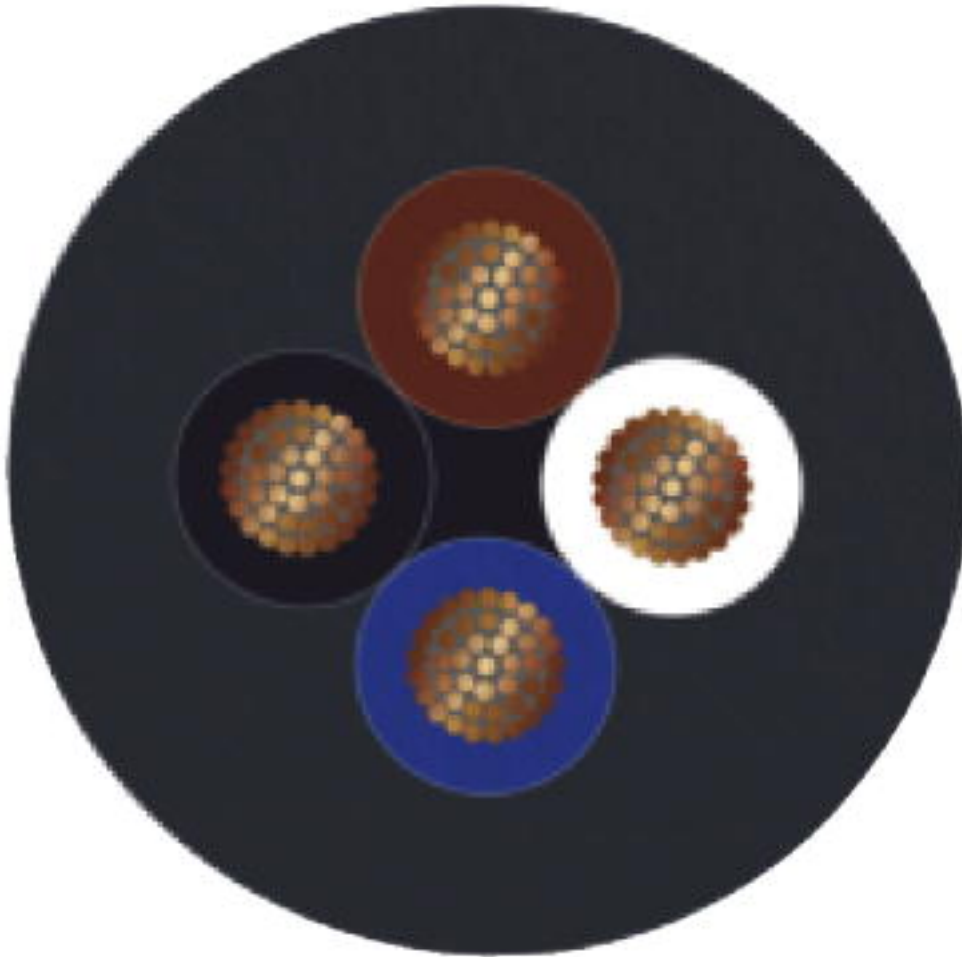
Schematic diagram



Pin assignment M12 socket, 4-pos., A-coded, view female side

## Sensor/Actuator cable - SAC-4P-MR/15,0-PUR/FR SCO - 1539460

Cable cross section



PUR halogen-free black [PUR]

© Phoenix Contact 2013 - all rights reserved  
<http://www.phoenixcontact.com>