

# Sensor/Actuator cable - SAC-4P-10,0-150/M12FR-3L - 1546550

Please be informed that the data shown in this PDF Document is generated from our Online Catalog. Please find the complete data in the user's documentation. Our General Terms of Use for Downloads are valid (<http://download.phoenixcontact.com>)



Sensor/Actuator cable, 4-position, PUR, orange RAL 2003, Free cable end, on Socket angled M12, A-coded, with 3 LEDs, Cable length: 10 m

As shown in the illustration but with an orange conductor

## Key commercial data

package_quantity	5
GTIN	4046356128698

## Technical data

### Dimensions

Length of cable	10 m
Stripping length of the free conductor end	50 mm

### Ambient conditions

Degree of protection	IP65
Degree of protection	IP67
Degree of protection	IP68

### General

Rated current at 40°C	4 A
Rated voltage	24 V
Number of positions	4
Contact resistance	≤ 5 mΩ
Insulation resistance	≥ 100 MΩ
Coding	A - standard
Status display	3 LEDs
Surge voltage category	II
Pollution degree	3
Insertion/withdrawal cycles	≥ 100

### Material

Inflammability class according to UL 94	HB
Contact material	CuSn
Contact surface material	Ni/Au
Contact carrier material	TPU GF

# Sensor/Actuator cable - SAC-4P-10,0-150/M12FR-3L - 1546550

## Technical data

### Material

<b>Material of grip body</b>	TPU, hardly inflammable, self-extinguishing
<b>Material, knurls</b>	Zinc die-cast, nickel-plated
<b>Sealing material</b>	NBR

### Cable

<b>Cable type</b>	PUR irradiated halogen-free orange
<b>Cable abbreviation</b>	D12YSL11X-OB
<b>Conductor cross section</b>	0.34 mm <sup>2</sup>
<b>AWG signal line</b>	22
<b>Conductor structure signal line</b>	19x 0.15 mm
<b>Wire colors</b>	brown, white, blue, black
<b>Overall twist</b>	4 wires, twisted
<b>Length of twist, overall twist</b>	27 mm
<b>External sheath, color</b>	orange RAL 2003
<b>External cable diameter</b>	5.20 mm
<b>Smallest bending radius, fixed installation</b>	min. 15 mm
<b>Smallest bending radius, movable installation</b>	min. 30 mm
<b>Number of bending cycles</b>	5000000
<b>Bending radius</b>	52 mm
<b>Traversing path</b>	10 m
<b>Traversing rate</b>	3 m/s
<b>Outer sheath, material</b>	PUR
<b>Material conductor insulation</b>	PE
<b>Conductor material</b>	Bare Cu litz wires
<b>Conductor resistance</b>	max. 57 Ω/km
<b>Nominal voltage, cable</b>	320 V
<b>Test voltage, cable</b>	2500 V

## classifications

### eCl@ss

<b>eCl@ss 4.0</b>	27060306
<b>eCl@ss 4.1</b>	27060306
<b>eCl@ss 5.0</b>	27061801
<b>eCl@ss 5.1</b>	27061801
<b>eCl@ss 6.0</b>	27061801
<b>eCl@ss 7.0</b>	27061801
<b>eCl@ss 8.0</b>	27061801

### ETIM

<b>ETIM 3.0</b>	EC001855
<b>ETIM 4.0</b>	EC001855
<b>ETIM 5.0</b>	EC001855

# Sensor/Actuator cable - SAC-4P-10,0-150/M12FR-3L - 1546550

## classifications

### UNSPSC

<b>UNSPSC 6.01</b>	31251501
<b>UNSPSC 7.0901</b>	31251501
<b>UNSPSC 11</b>	31251501
<b>UNSPSC 12.01</b>	31251501
<b>UNSPSC 13.2</b>	31251501

## approvals

UL Listed / cUL Listed / cULus Listed /

### Approval details

<b>UL Listed</b>	
Nominal voltage UN	24 V
Nominal current IN	4 A
mm <sup>2</sup> /AWG/kcmil	

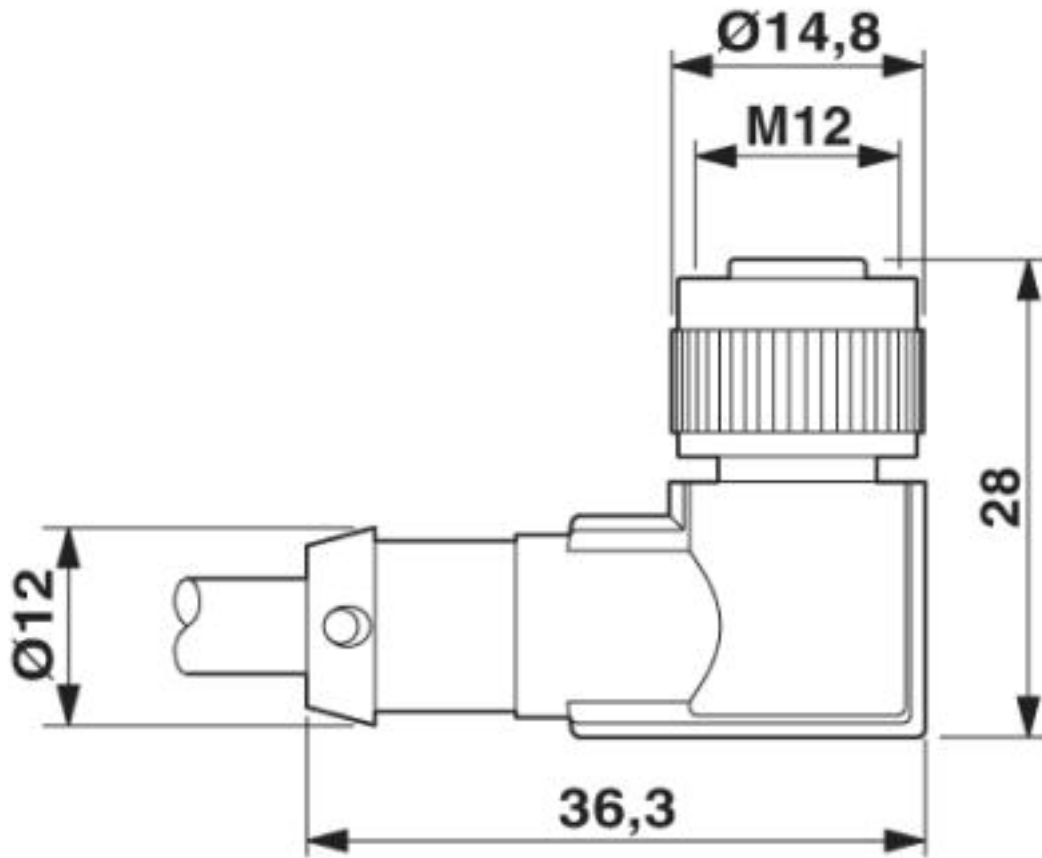
<b>cUL Listed</b>	
Nominal voltage UN	24 V
Nominal current IN	4 A
mm <sup>2</sup> /AWG/kcmil	

<b>cULus Listed</b>	
---------------------	--

## Drawings

# Sensor/Actuator cable - SAC-4P-10,0-150/M12FR-3L - 1546550

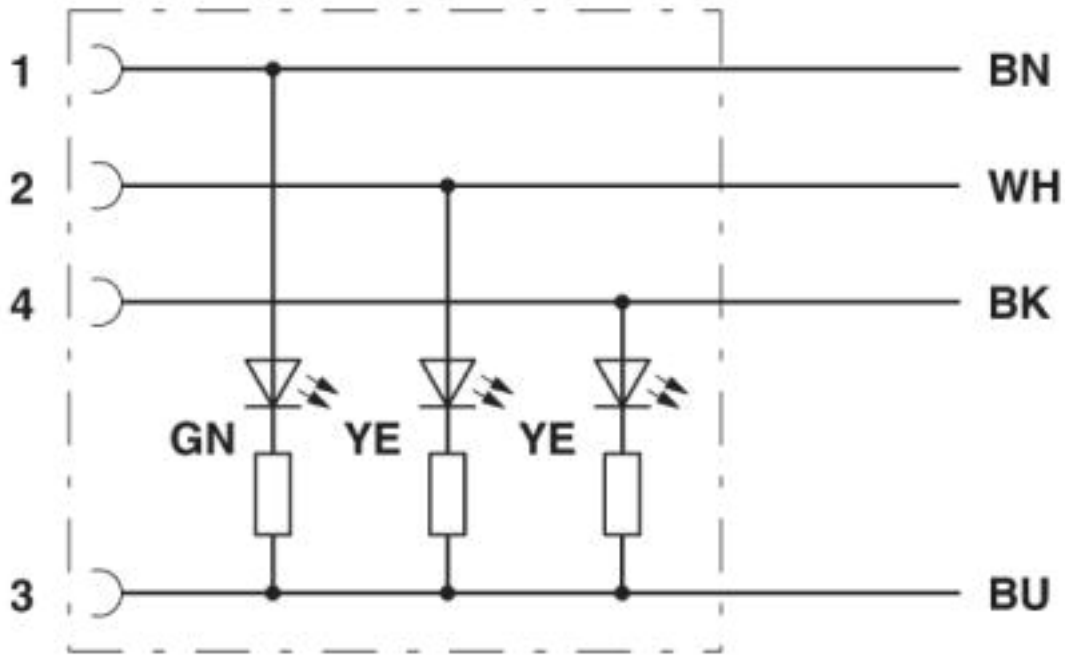
Dimensioned drawing



Socket M12 x 1, angled, with LED

# Sensor/Actuator cable - SAC-4P-10,0-150/M12FR-3L - 1546550

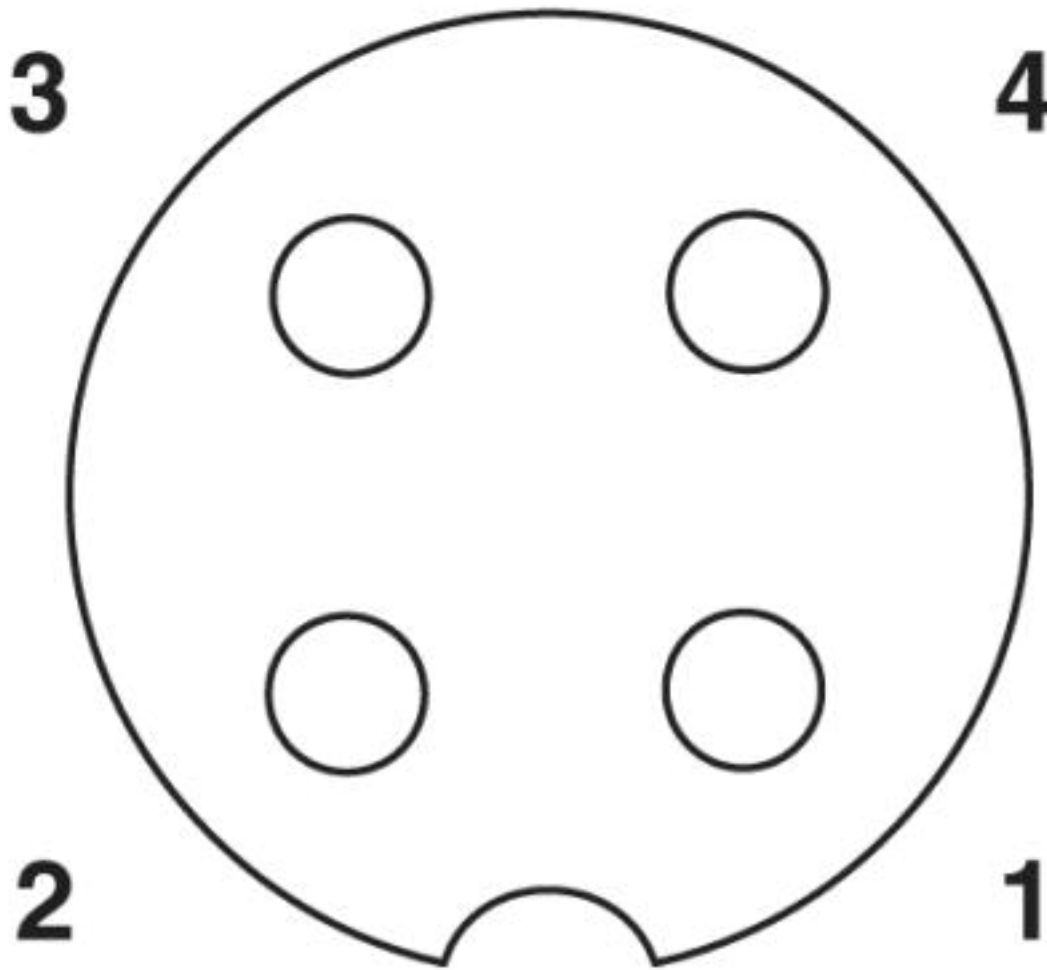
Circuit diagram



Contact assignment of M12 sockets with LED

# Sensor/Actuator cable - SAC-4P-10,0-150/M12FR-3L - 1546550

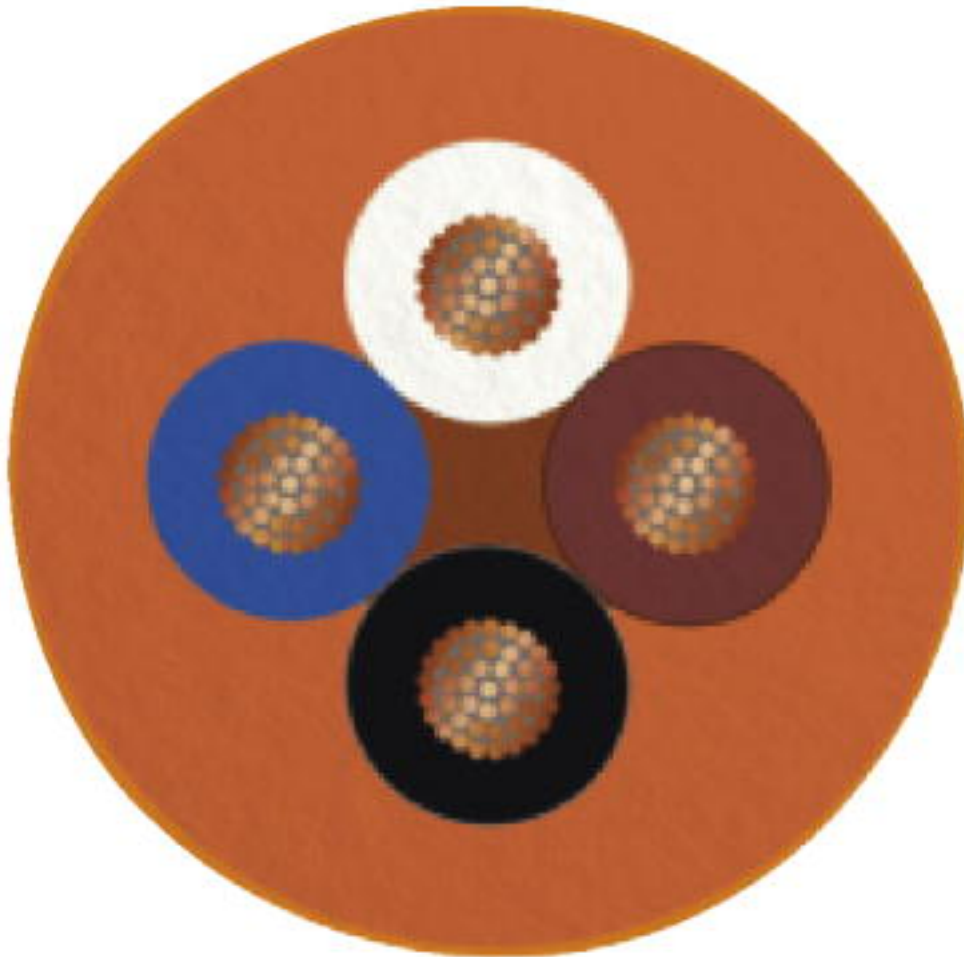
Schematic diagram



Pin assignment M12 socket, 4-pos., A-coded, view female side

## Sensor/Actuator cable - SAC-4P-10,0-150/M12FR-3L - 1546550

Cable cross section



PUR irradiated halogen-free orange [150]

© Phoenix Contact 2013 - all rights reserved  
<http://www.phoenixcontact.com>