

Flush-type connector - SACC-DSI-MSB-5CON-L180/12SCOSH - 1558577

Please be informed that the data shown in this PDF Document is generated from our Online Catalog. Please find the complete data in the user's documentation. Our General Terms of Use for Downloads are valid (<http://download.phoenixcontact.com>)



Sensor/actuator flush-type plug, 5-pos., M12 SPEEDCON, shielded, B-coded, rear/screw mounting with Pg9 thread, with straight solder connection, design with 12 mm long solder pins



Key commercial data

package_quantity	20
GTIN	4046356295109

Technical data

Dimensions

Length of the solder pin	12 mm
--------------------------	-------

Ambient conditions

Ambient temperature (operation)	-25 °C ... 85 °C (Plug / socket)
Degree of protection	IP67

General

Rated current at 40°C	4 A
Rated voltage	60 V
Number of positions	5
Contact resistance	≤ 3 mΩ
Insulation resistance	≥ 100 MΩ
Coding	B - inverse
Standards/regulations	M12 connector IEC 61076-2-101
Status display	No
Surge voltage category	II
Pollution degree	3
Connection method	Solder pins
Mounting type	Rear mounting M12 x 1 With flat nut

Material

Inflammability class according to UL 94	V0
Contact material	CuZn

Flush-type connector - SACC-DSI-MSB-5CON-L180/12SCOSH - 1558577

Technical data

Material

Contact surface material	Au
Contact carrier material	PA 66
Material, knurls	Zinc die-cast, nickel-plated
Sealing material	NBR

classifications

eCl@ss

eCl@ss 4.0	27250313
eCl@ss 4.1	27250313
eCl@ss 5.0	27143423
eCl@ss 5.1	27143423
eCl@ss 6.0	27143423
eCl@ss 7.0	27449001
eCl@ss 8.0	27449001

ETIM

ETIM 3.0	EC002061
ETIM 4.0	EC002061
ETIM 5.0	EC002062


UNSPSC

UNSPSC 6.01	31261501
UNSPSC 7.0901	31261501
UNSPSC 11	31261501
UNSPSC 12.01	31261501
UNSPSC 13.2	31261501

approvals

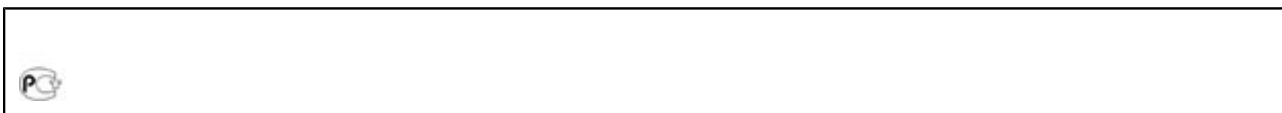
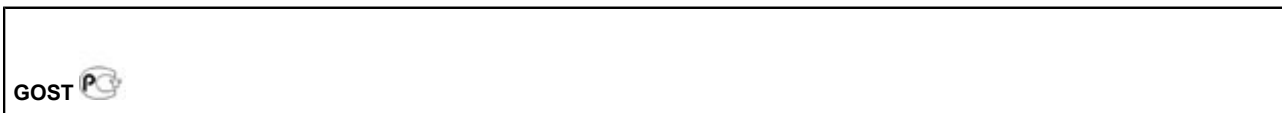
UL Recognized / GOST / GOST /

Approval details

UL Recognized 	
Nominal voltage UN	60 V
Nominal current IN	4 A
mm ² /AWG/kcmil	26-20

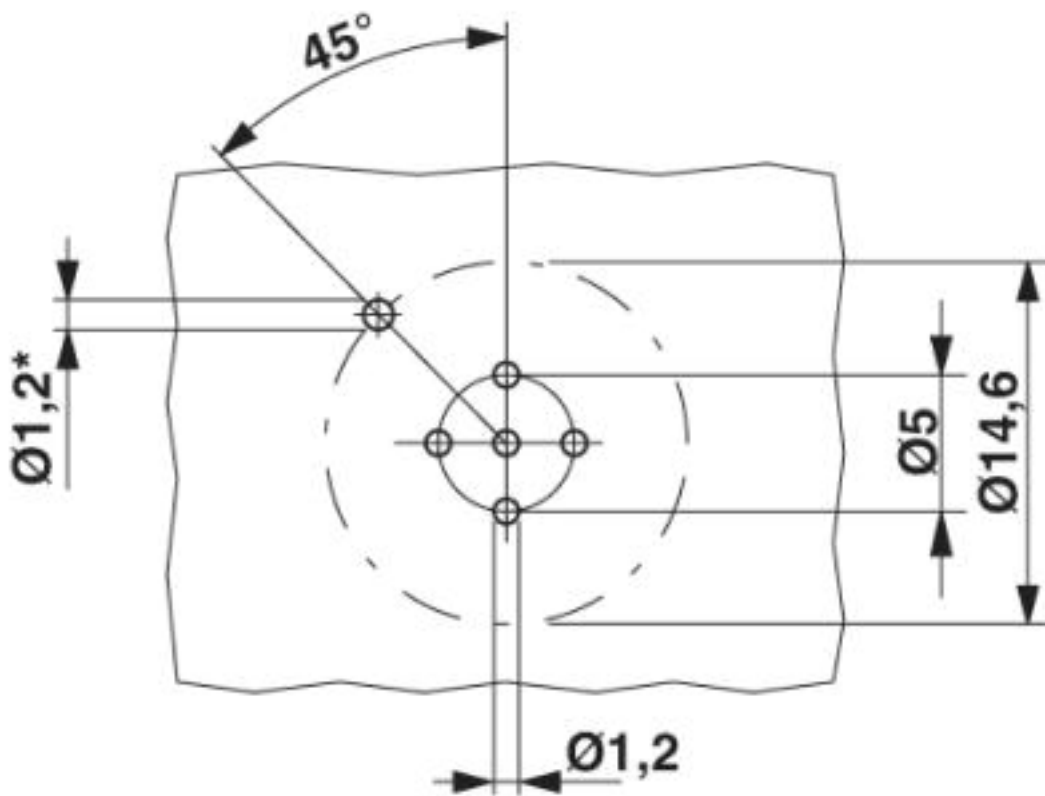
Flush-type connector - SACC-DSI-MSB-5CON-L180/12SCOSH - 1558577

approvals



Drawings

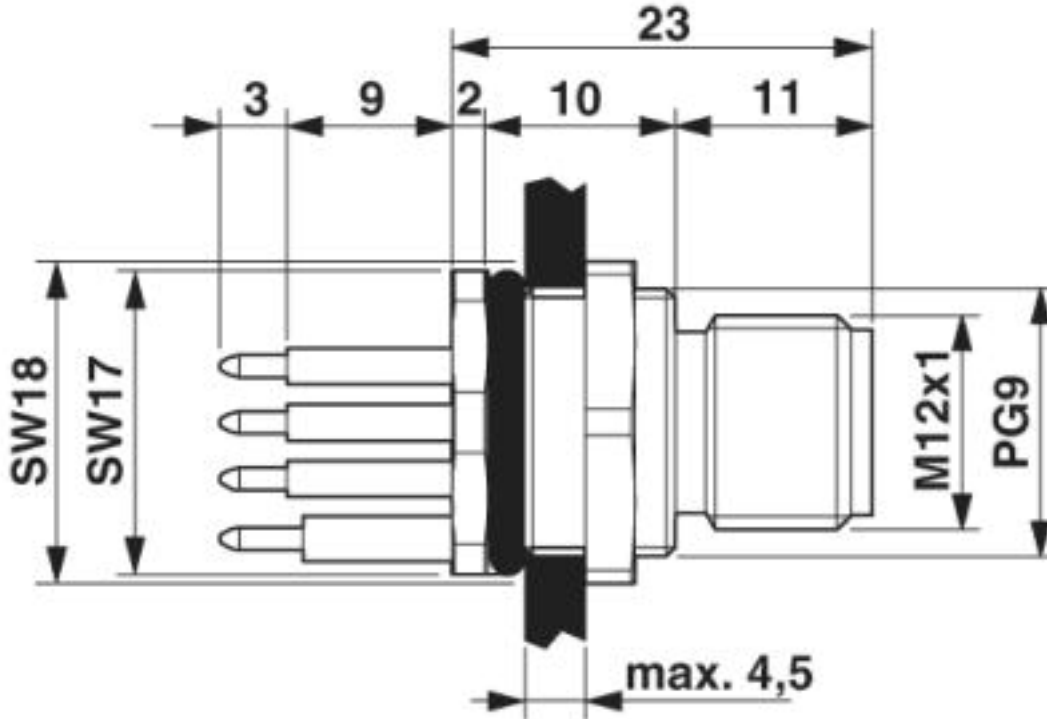
Drilling diagram



Drilling diagram

Flush-type connector - SACC-DSI-MSB-5CON-L180/12SCOSH - 1558577

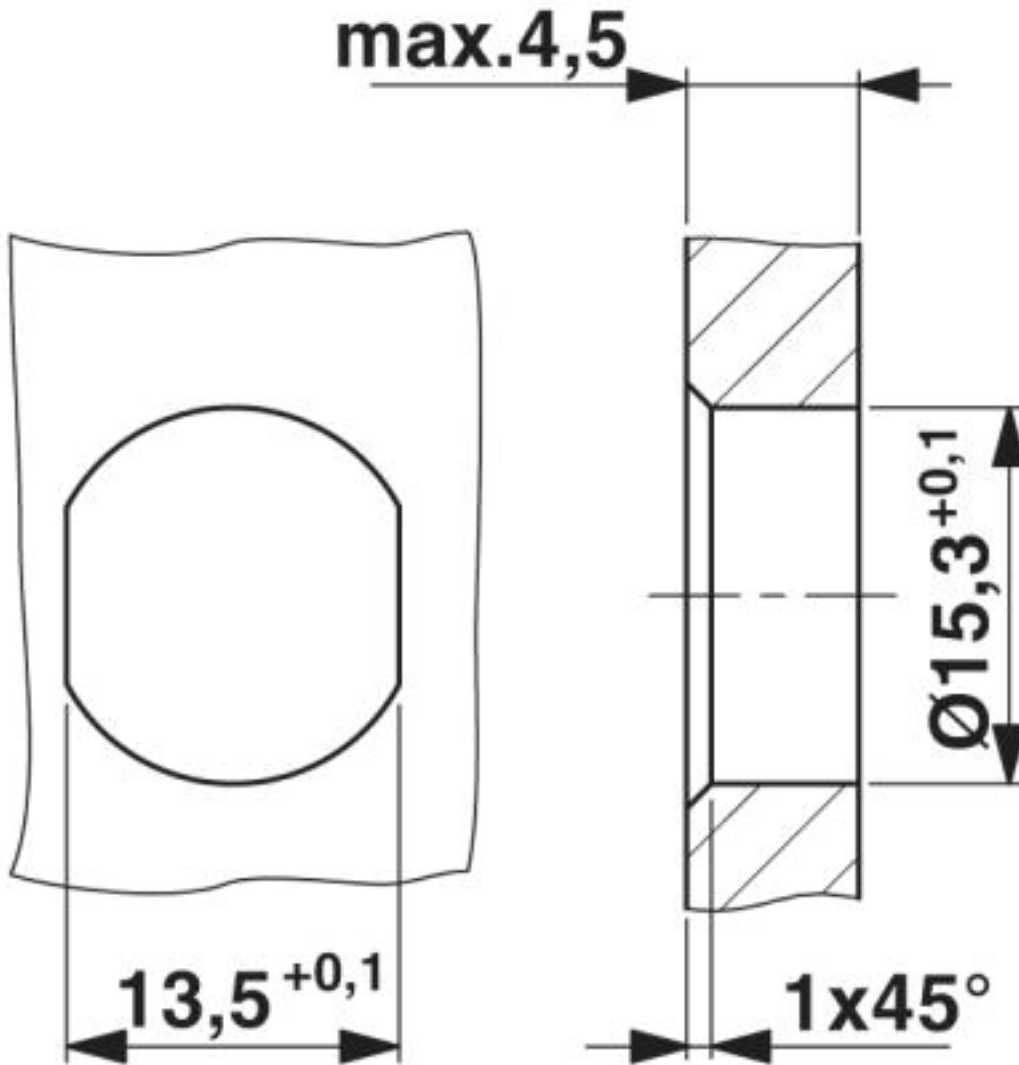
Dimensioned drawing



M12 SPEEDCON flush-type plug

Flush-type connector - SACC-DSI-MSB-5CON-L180/12SCOSH - 1558577

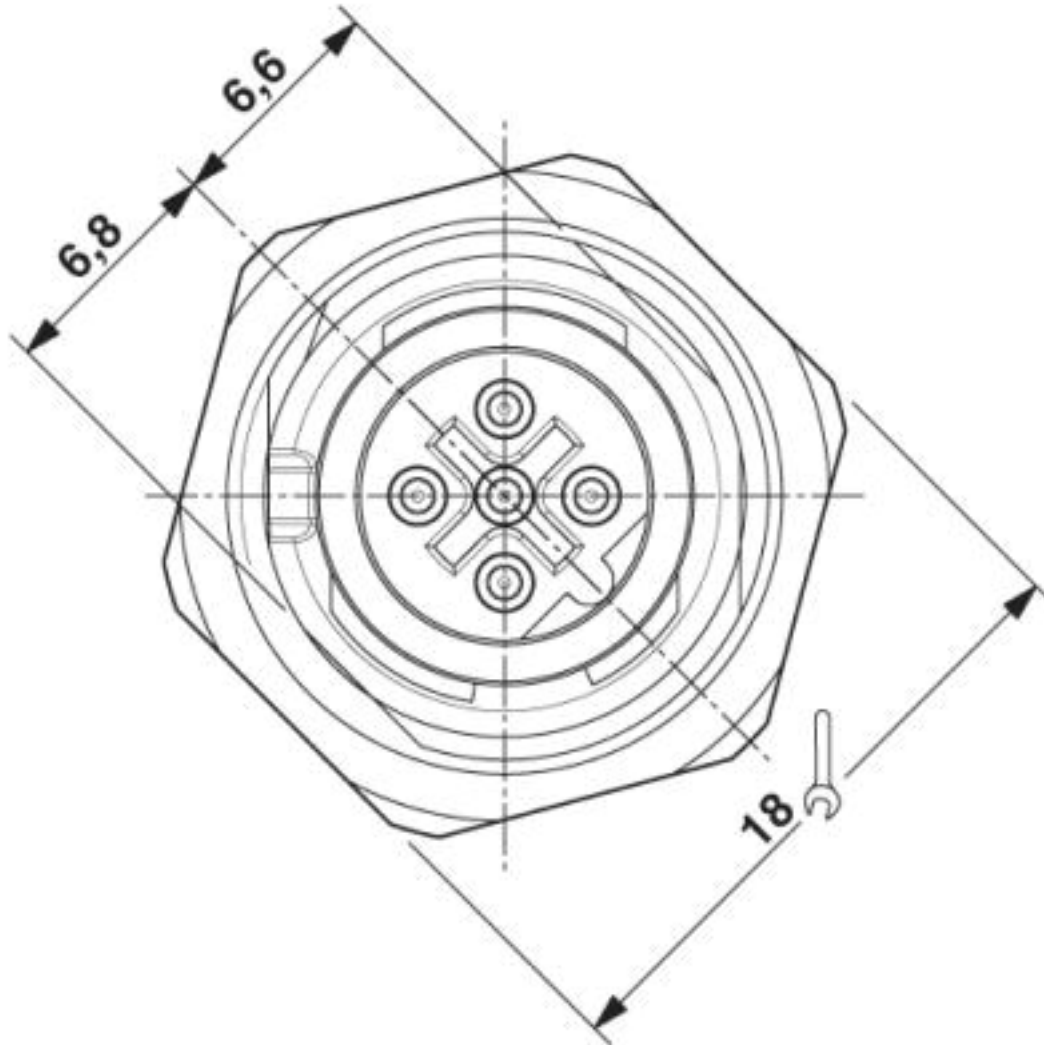
Dimensioned drawing



Housing cutout for Pg9 fastening thread, mounting panel with feed-through hole (alternatively with surface as protection against rotation)

Flush-type connector - SACC-DSI-MSB-5CON-L180/12SCOSH - 1558577

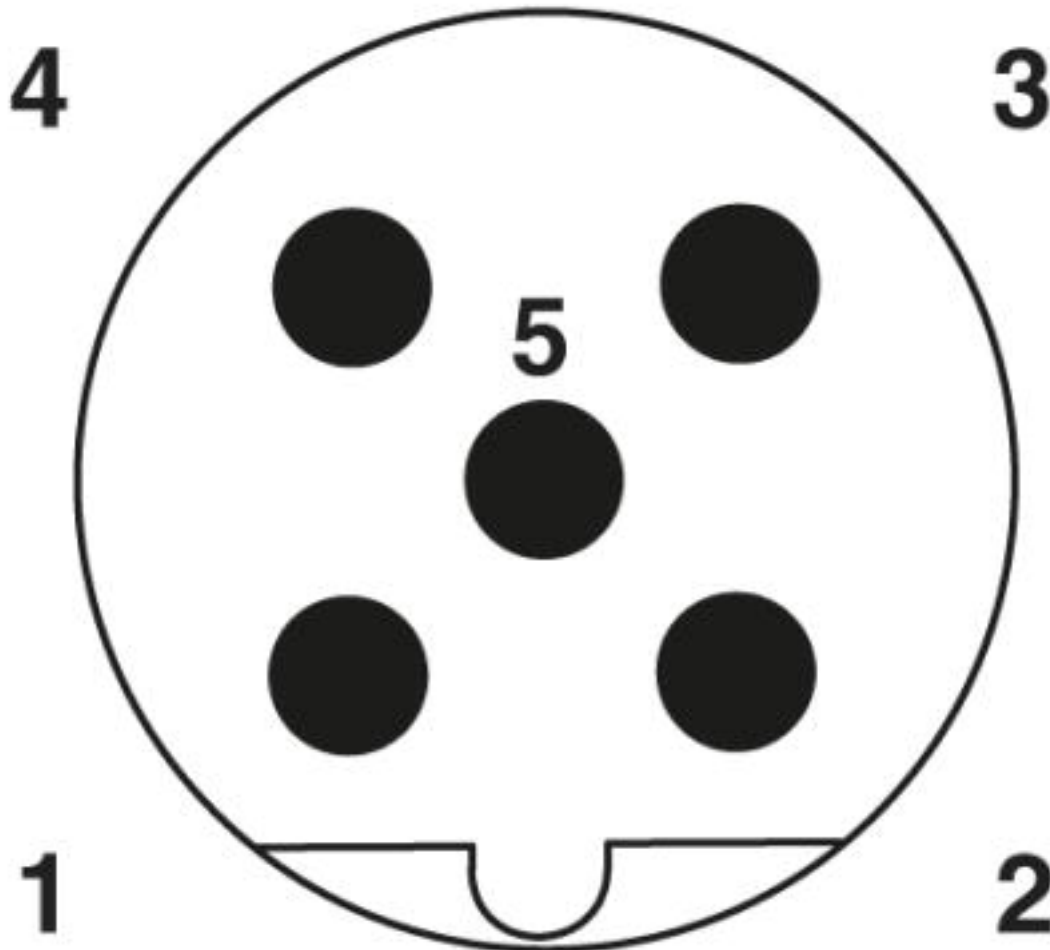
Dimensioned drawing



M12 front view

Flush-type connector - SACC-DSI-MSB-5CON-L180/12SCOSH - 1558577

Schematic diagram



Pin assignment M12 male connector, 5-pos., B-coded, male side

© Phoenix Contact 2013 - all rights reserved
<http://www.phoenixcontact.com>