

Sensor/Actuator cable - SAC-4P-M12MS/ 5,0-170/ M8SIFS - 1564341

Please be informed that the data shown in this PDF Document is generated from our Online Catalog. Please find the complete data in the user's documentation. Our General Terms of Use for Downloads are valid (<http://download.phoenixcontact.com>)

Sensor/Actuator cable, 4-position, PUR halogen-free, Black-gray RAL 7021, Plug straight M12, A-coded, on Socket straight M8 Snap-in, Cable length: 5 m

Key commercial data

package_quantity	1
GTIN	4046356306973

Technical data

Dimensions

Length of cable	5 m
-----------------	-----

Ambient conditions

Degree of protection	IP65
Degree of protection	IP67

General

Rated current at 40°C	4 A
Rated voltage	30 V
Number of positions	4
Contact resistance	≤ 5 mΩ
Insulation resistance	≥ 100 MΩ
Coding	A - standard
Status display	No
Surge voltage category	II
Pollution degree	3
Insertion/withdrawal cycles	≥ 100

Material

Inflammability class according to UL 94	HB
Contact material	CuSn
Contact surface material	Ni/Au
Contact carrier material	TPU GF
Material of grip body	TPU, hardly inflammable, self-extinguishing
Material, knurls	Zinc die-cast, nickel-plated

Sensor/Actuator cable - SAC-4P-M12MS/ 5,0-170/ M8SIFS - 1564341

Technical data

Material

Sealing material	NBR
------------------	-----

Cable

Cable type	PUR halogen-free black
Cable abbreviation	Li9Y11Y-HF
Conductor cross section	0.25 mm ²
AWG signal line	24
Conductor structure signal line	32x 0.10 mm
Core diameter including insulation	1.17 mm ±0.02 mm
Thickness, insulation	approx. 0.21 mm (Core insulation)
Thickness, insulation	approx. 0.7 mm (Outer cable sheath)
Wire colors	brown, white, blue, black
Overall twist	4 wires, twisted
External sheath, color	Black-gray RAL 7021
External cable diameter	4.40 mm
Smallest bending radius, movable installation	44 mm
Number of bending cycles	4000000
Bending radius	44 mm
Traversing path	10 m
Traversing rate	3 m/s
Cable weight	25 kg/km
Outer sheath, material	PUR
Material conductor insulation	PP
Conductor material	Bare Cu litz wires
Insulation resistance	≥ 100 MΩ*km
Conductor resistance	≤ 78 Ω/km
Nominal voltage, cable	300 V
Test voltage, cable	3000 V

classifications

eCl@ss

eCl@ss 4.0	27060306
eCl@ss 4.1	27060306
eCl@ss 5.0	27061801
eCl@ss 5.1	27061801
eCl@ss 6.0	27061801
eCl@ss 7.0	27061801
eCl@ss 8.0	27061801

ETIM

Sensor/Actuator cable - SAC-4P-M12MS/ 5,0-170/ M8SIFS - 1564341

classifications

ETIM

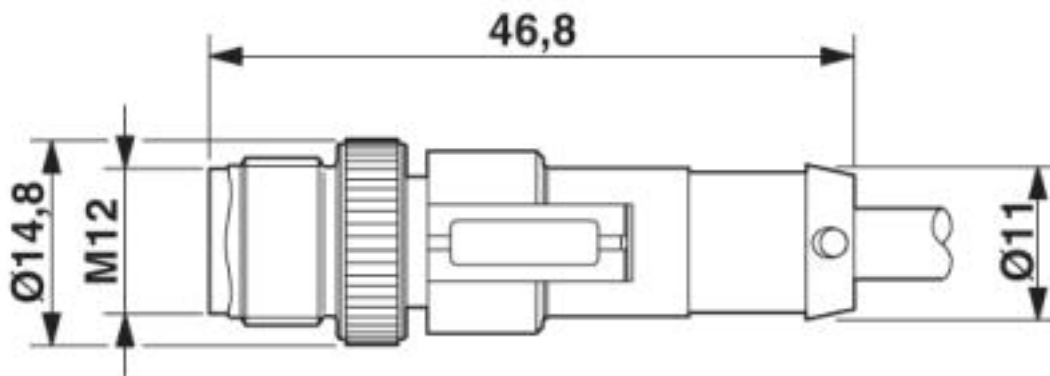
ETIM 3.0	EC001855
ETIM 4.0	EC001855
ETIM 5.0	EC001855

UNSPSC

UNSPSC 6.01	31251501
UNSPSC 7.0901	31251501
UNSPSC 11	31251501
UNSPSC 12.01	31251501
UNSPSC 13.2	31251501

Drawings

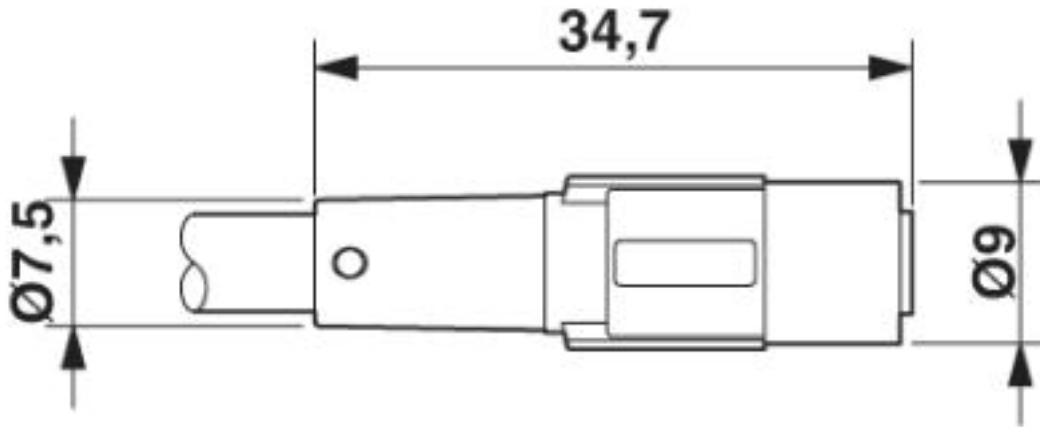
Dimensioned drawing



M12 x 1 plug, straight

Sensor/Actuator cable - SAC-4P-M12MS/ 5,0-170/ M8SIFS - 1564341

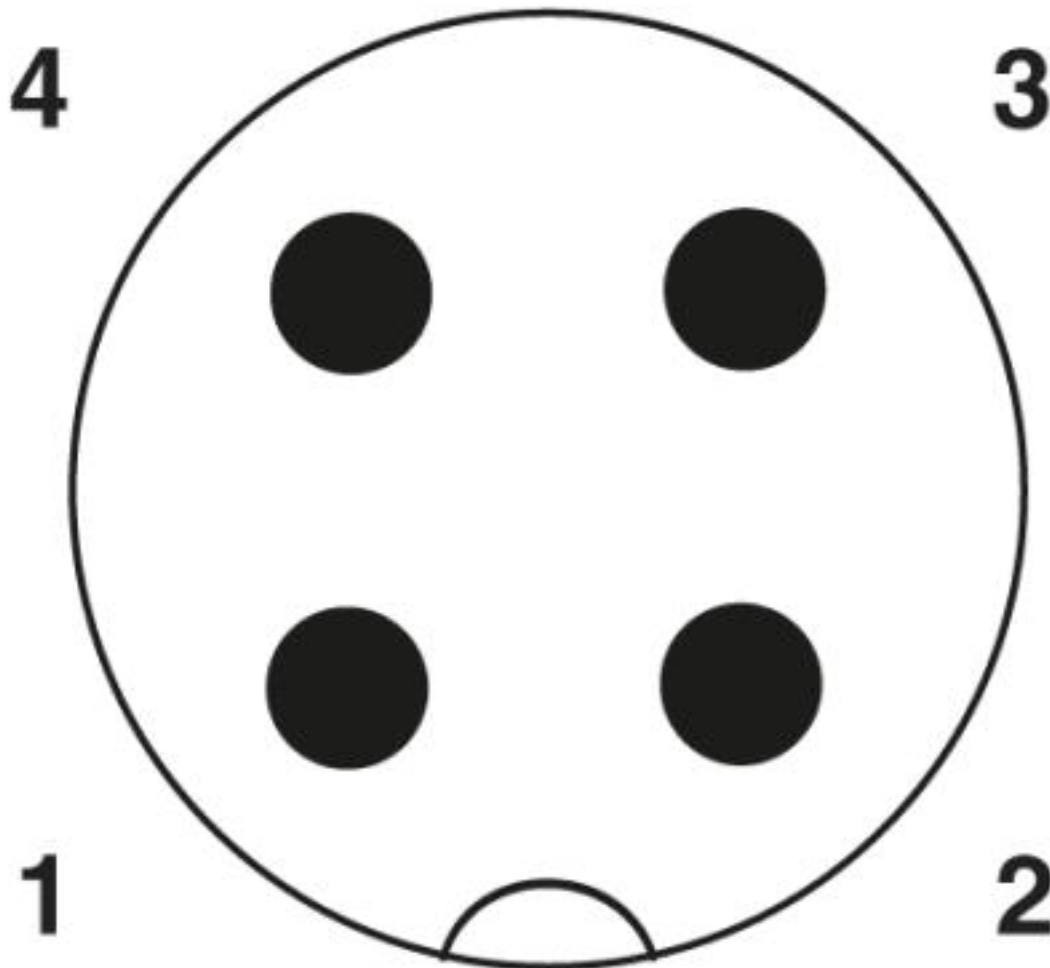
Dimensioned drawing



M8 snap-in sockets

Sensor/Actuator cable - SAC-4P-M12MS/ 5,0-170/ M8SIFS - 1564341

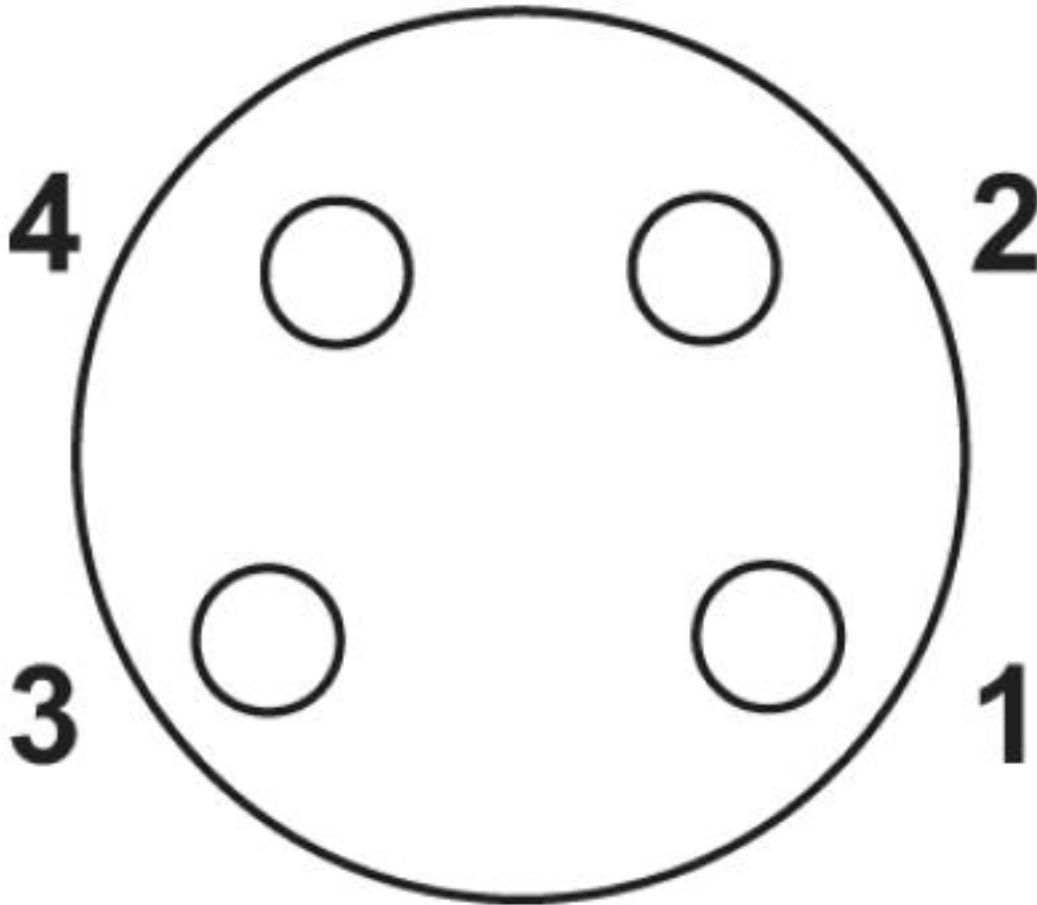
Schematic diagram



Pin assignment M8 plug, 4-pos., view male side

Sensor/Actuator cable - SAC-4P-M12MS/ 5,0-170/ M8SIFS - 1564341

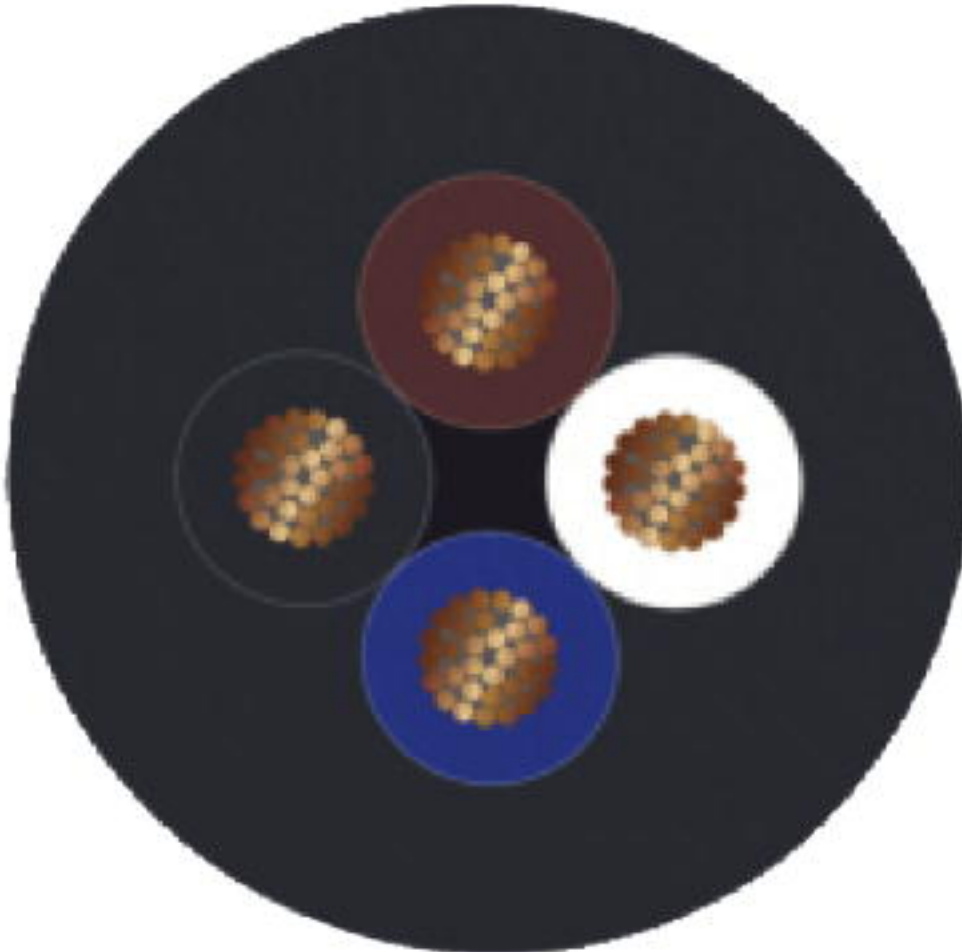
Schematic diagram



Pin assignment M8 socket, 4-pos., view female side

Sensor/Actuator cable - SAC-4P-M12MS/ 5,0-170/ M8SIFS - 1564341

Cable cross section



PUR halogen-free black [PUR]

© Phoenix Contact 2013 - all rights reserved
<http://www.phoenixcontact.com>