

Contact insert - HC-DD72-I-CT-F - 1584091

Please be informed that the data shown in this PDF Document is generated from our Online Catalog. Please find the complete data in the user's documentation. Our General Terms of Use for Downloads are valid (<http://download.phoenixcontact.com>)



HEAVYCON female insert, DD72 series, 72-pos., crimp connection. PE connection using tension sleeve technology.

Key commercial data

| | |
|------------------|---------------|
| package_quantity | 10 |
| GTIN | 4046356133401 |

Technical data

General

| | |
|---|--|
| Note | For HEAVYCON ADVANCE and HEAVYCON housing of B16 type, crimp contacts CK 1,6-ED (crimp contacts not included in the scope of supply). Plug-in connections may only be operated only when there is no load/voltage. |
| Connection method | Crimp connection |
| Pollution degree | 3 |
| Surge voltage category | III |
| Constructional and testing regulations | DIN VDE 0627/86 |
| Constructional and testing regulations | DIN VDE 0110/02.79 |
| Constructional and testing regulations | DIN VDE 0110-1/04.97 |
| Constructional and testing regulations | IEC 60664-1, DIN IEC 60512 |
| Constructional and testing regulations | IEC 60352 |
| Number of positions | 72+PE |
| Insertion/withdrawal cycles | ≥ 500 |
| Design | B16 |
| Connection in acc. with standard | IEC / EN |
| Conductor cross section | 0.14 mm ² ... 2.5 mm ² |
| Connection cross section AWG | 26 ... 14 |
| Stripping length of the individual wire | 8 mm |
| Stripping length of the individual wire | 6 mm (2.5 mm ²) |
| Assembly instructions | -Housing heights with h ≥ 72 mm are recommended in the case of a large number of wires.-Use of HC-CST (1676857) coding pins and HC-CBU (1676860) coding sockets has been prescribed. |
| Connection | Connectors may be plugged in only when there is no load/voltage. |

Ambient conditions

| | |
|---------------------------------|--|
| Ambient temperature (operation) | -40 °C ... 125 °C (including heating up of contacts) |
|---------------------------------|--|

Contact insert - HC-DD72-I-CT-F - 1584091

Technical data

Material data

| | |
|--|-----------------------|
| Inflammability class according to UL 94 | V0 |
| Contact material | Copper alloy |
| Contact surface material | Ag (alternatively Au) |
| Contact carrier material | PA |

Electrical characteristics

| | |
|------------------------------|-------|
| Rated voltage (III/3) | 250 V |
| Rated surge voltage | 4 kV |
| Rated current | 10 A |

classifications

eCl@ss

| | |
|-------------------|----------|
| eCl@ss 4.0 | 272607xx |
| eCl@ss 4.1 | 27260701 |
| eCl@ss 5.0 | 27143424 |
| eCl@ss 5.1 | 27143424 |
| eCl@ss 6.0 | 27143424 |
| eCl@ss 7.0 | 27440209 |
| eCl@ss 8.0 | 27440209 |

ETIM

| | |
|-----------------|----------|
| ETIM 3.0 | EC000438 |
| ETIM 4.0 | EC000437 |
| ETIM 5.0 | EC000437 |

UNSPSC

| | |
|----------------------|----------|
| UNSPSC 6.01 | 30211923 |
| UNSPSC 7.0901 | 39121522 |
| UNSPSC 11 | 39121522 |
| UNSPSC 12.01 | 39121522 |
| UNSPSC 13.2 | 39121522 |

approvals

CSA / UL Recognized / cUL Recognized / cULus Recognized /

Approval details

| |
|---|
|  |
|---|

Contact insert - HC-DD72-I-CT-F - 1584091

approvals

| | |
|----------------------------|-------|
| | |
| Nominal voltage UN | 250 V |
| Nominal current IN | 7 A |
| mm ² /AWG/kcmil | 26-14 |

| | |
|----------------------------|-------|
| UL Recognized | |
| | |
| Nominal voltage UN | 250 V |
| Nominal current IN | 10 A |
| mm ² /AWG/kcmil | 14 |

| | |
|----------------------------|-------|
| cUL Recognized | |
| | |
| Nominal voltage UN | 250 V |
| Nominal current IN | 7 A |
| mm ² /AWG/kcmil | 14 |

| | |
|-------------------------|--|
| cULus Recognized | |
|-------------------------|--|

accessories

Mounting material

HC-B-PES - 1604997



HC-B-3PE - 1644326



Contact insert - HC-DD72-I-CT-F - 1584091

accessories

HC-B-ZG - 1685327



HC-B-ZS - 1685330



Coding element

CP-HC - 1686478



HC-CBU - 1676860



HC-CB - 1772722



Contact insert - HC-DD72-I-CT-F - 1584091

accessories

HC-CST - 1676857



Assembly tool

VC-EW 1,6 - 1884869



Plug assembly frame

HC-SMR-B16 - 1687972



Plug mounting plate

HC-SMP 125-B16-AMQ - 1660973



Adapter plate

HC-B 24-ADP-B 16-GY - 1660449



Contact insert - HC-DD72-I-CT-F - 1584091

accessories

Docking frame

HC-B 16-ANDOCK - 1586138



Crimping tool

CRIMPFOX-1,6/2,5-ED-4,0 - 1687419



Fiber optics contact

CK1,6-ED-BU-POF - 1885004



Crimp contact

CK1,6-ED-0,37BU AG - 1663394



Contact insert - HC-DD72-I-CT-F - 1584091

accessories

CK1,6-ED-0,50BU AG - 1663404



CK1,6-ED-0,75BU AG - 1663417



CK1,6-ED-1,00BU AG - 1663420



CK1,6-ED-1,50BU AG - 1663433



CK1,6-ED-2,50BU AG - 1663446



CK1,6-ED-0,37BU AU - 1674969



Contact insert - HC-DD72-I-CT-F - 1584091

accessories

CK1,6-ED-0,50BU AU - 1674480



CK1,6-ED-0,75BU AU - 1672440



CK1,6-ED-1,00BU AU - 1674943



CK1,6-ED-1,50BU AU - 1674930



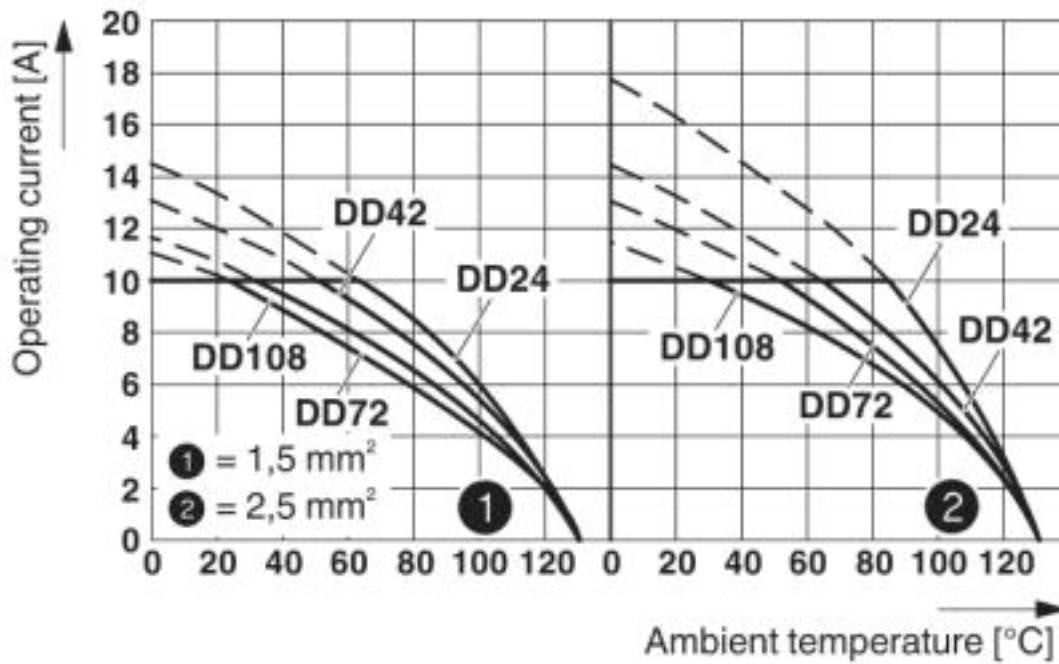
CK1,6-ED-2,50BU AU - 1674985



Drawings

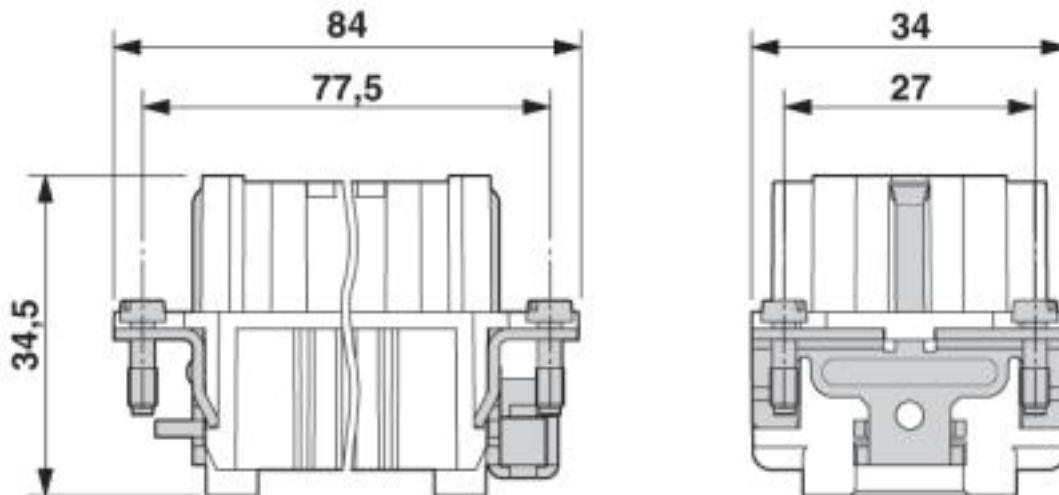
Contact insert - HC-DD72-I-CT-F - 1584091

Diagram



Derating diagram

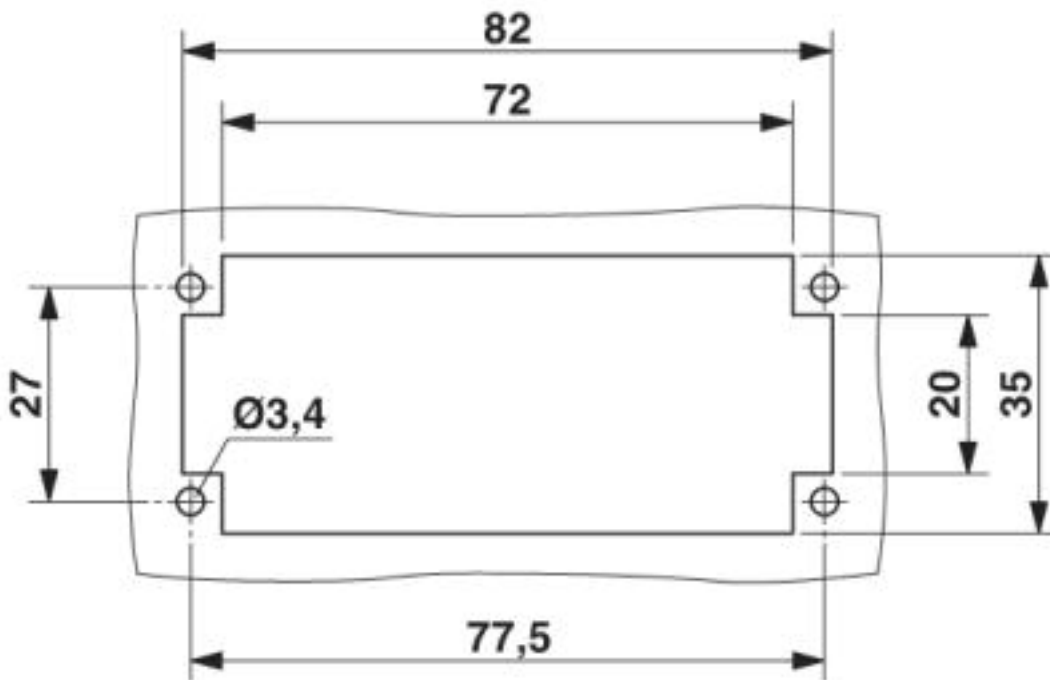
Dimensioned drawing



Female insert

Contact insert - HC-DD72-I-CT-F - 1584091

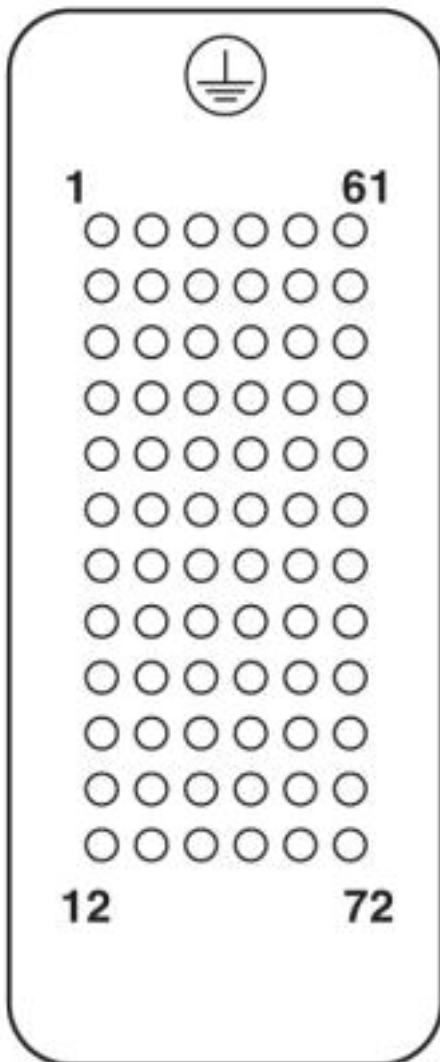
Dimensioned drawing



Panel cutout

Contact insert - HC-DD72-I-CT-F - 1584091

Schematic diagram



Connector pin assignment, connection side

© Phoenix Contact 2013 - all rights reserved
<http://www.phoenixcontact.com>