

# Contact insert - VC-AML 4 - 1607509

Please be informed that the data shown in this PDF Document is generated from our Online Catalog. Please find the complete data in the user's documentation. Our General Terms of Use for Downloads are valid (<http://download.phoenixcontact.com>)



Contact insert module, for panel mounting frames, with 90° PCB connection, 3-pos. + PE, 690 V / 63 A

The illustration shows the product version VC-AML 4

## Product Features

- Compact design
- Proven COMBICON technology
- Can be keyed to prevent incorrect connection
- Direct PCB connection

## Key commercial data

<b>package_quantity</b>	10
<b>GTIN</b>	4017918943585

## Technical data

### General

<b>Note</b>	Connectors may only be connected/disconnected when under no load.
<b>Connection method</b>	Solder connection
<b>Connection method</b>	Solder connection
<b>Pollution degree</b>	3
<b>Surge voltage category</b>	III
<b>Number of positions</b>	3+PE
<b>Insertion/withdrawal cycles</b>	≥ 50
<b>Pin dimensions</b>	1 x 1,2 mm
<b>Design</b>	VC2
<b>Connection in acc. with standard</b>	IEC / EN

### Ambient conditions

<b>Ambient temperature (operation)</b>	-40 °C ... 100 °C
--	-------------------

### Material data

<b>Inflammability class according to UL 94</b>	V0
<b>Contact material</b>	CuZn
<b>Contact surface material</b>	hard-silver plated
<b>Contact carrier material</b>	PA

# Contact insert - VC-AML 4 - 1607509

## Technical data

### Electrical characteristics

Rated voltage (III/3)	690 V
Nominal voltage U <sub>N</sub>	690 V
Rated surge voltage	6 kV
Rated surge voltage	6 kV
Rated current	63 A
Rated current	70 A

## classifications

### eCl@ss

eCl@ss 4.0	27140816
eCl@ss 4.1	27140816
eCl@ss 5.0	27143424
eCl@ss 5.1	27143424
eCl@ss 6.0	27143424
eCl@ss 7.0	27440209
eCl@ss 8.0	27440209

### ETIM

ETIM 2.0	EC000438
ETIM 3.0	EC000438
ETIM 4.0	EC000438
ETIM 5.0	EC000438

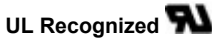
### UNSPSC

UNSPSC 6.01	30211923
UNSPSC 7.0901	39121522
UNSPSC 11	39121522
UNSPSC 12.01	39121522
UNSPSC 13.2	39121522

## approvals

UL Recognized / cUL Recognized / GOST / GOST / cULus Recognized /

### Approval details

	
Nominal voltage UN	600 V
Nominal current IN	55 A

# Contact insert - VC-AML 4 - 1607509

## approvals

mm <sup>2</sup> /AWG/kcmil	
----------------------------	--

<b>cUL Recognized</b>	
Nominal voltage UN	600 V
Nominal current IN	45 A
mm <sup>2</sup> /AWG/kcmil	

<b>GOST</b>
-------------

--

<b>cULus Recognized</b>
-------------------------

## accessories

### Coding element

CP-HCC 4 - 1600027

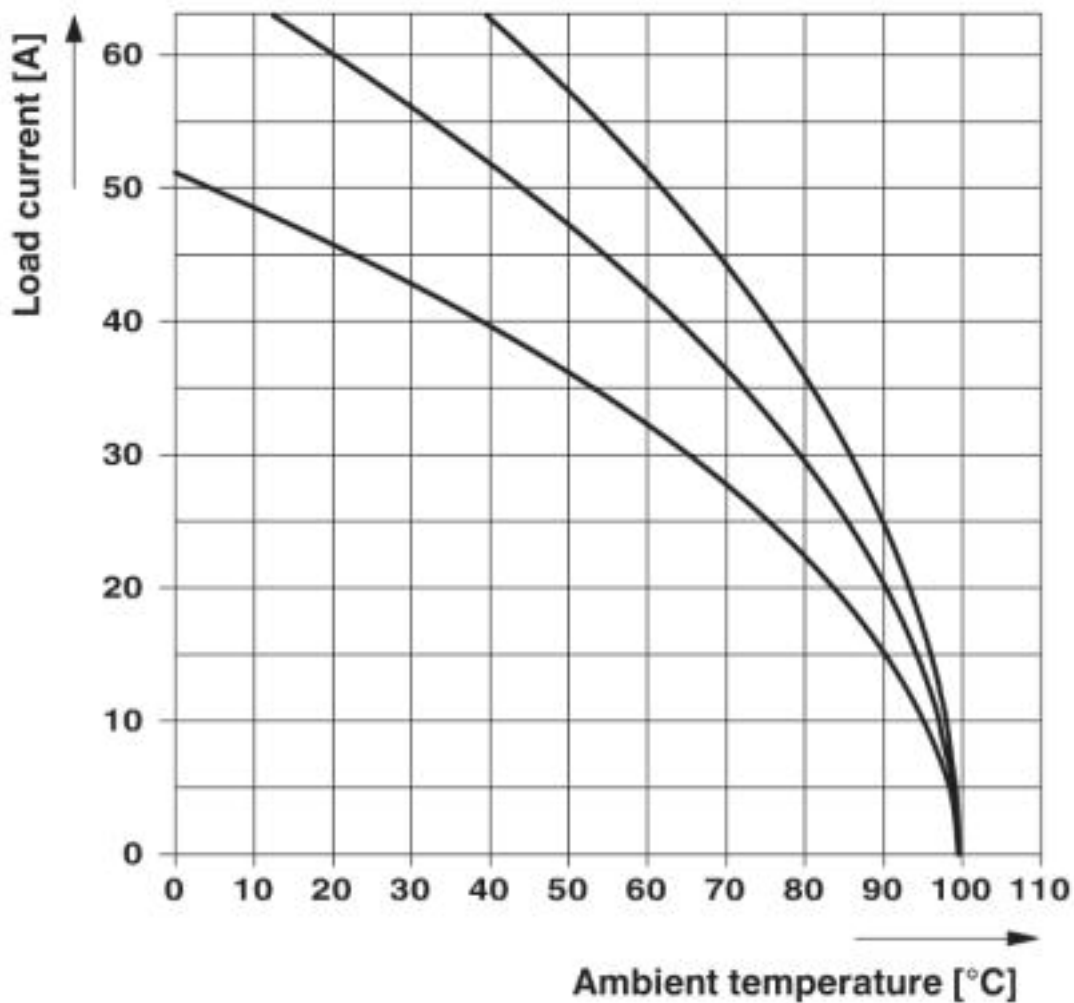


---

## Drawings

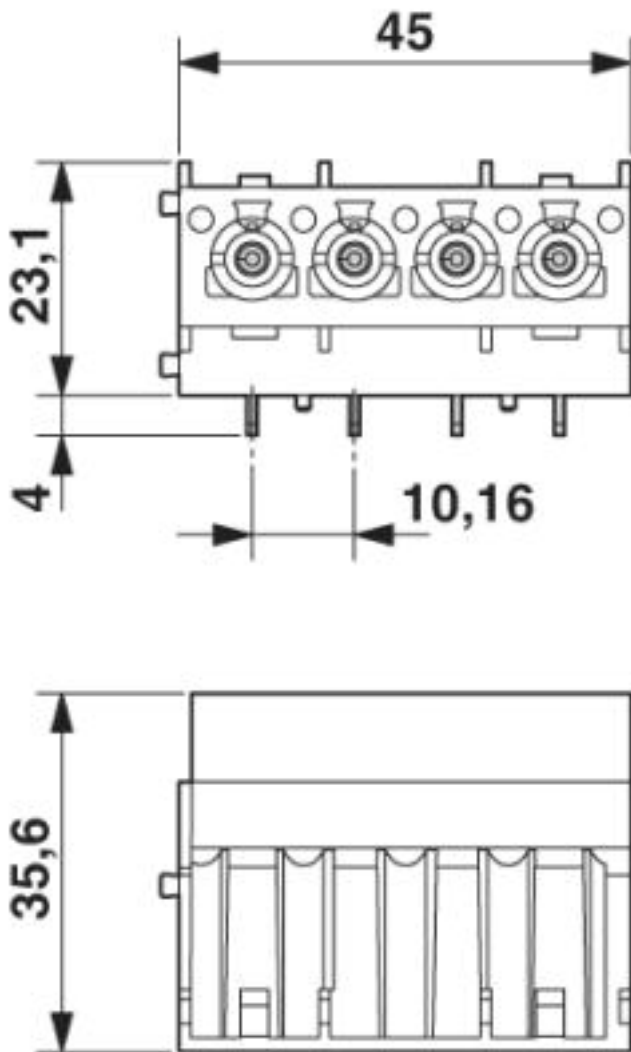
# Contact insert - VC-AML 4 - 1607509

Diagram



# Contact insert - VC-AML 4 - 1607509

Dimensioned drawing



# Contact insert - VC-AML 4 - 1607509

Dimensioned drawing

