

Panel mounting frames - VS-PPC-F1-RJ45-MNNA-1R- PHA - 1608029

Please be informed that the data shown in this PDF Document is generated from our Online Catalog. Please find the complete data in the user's documentation. Our General Terms of Use for Downloads are valid (<http://download.phoenixcontact.com>)



RJ45 panel mounting frame, IP67, for push-pull interlocking, metal, for PCB connection, for square panel cutout, with grommet, without mounting screws



Key commercial data

package_quantity	1
GTIN	4046356131698

Technical data

Mechanical characteristics

Locking type	Push Pull
Insertion/withdrawal cycles	≥ 500
Color	nickel-plated

Ambient conditions

Ambient temperature (operation)	-40 °C ... 70 °C
--	------------------

Material data

Flammability rating according to UL 94	V0
Housing material	Zinc die-cast
Housing surface material	Nickel-plated
Material	Metal
Sealing material	NBR
Seal material	NBR

Electrical characteristics

Degree of pollution	2
----------------------------	---

Standards and Regulations

Flammability rating according to UL 94	V0
---	----

Classifications

eCl@ss

Panel mounting frames - VS-PPC-F1-RJ45-MNNA-1R- PHA - 1608029

Classifications

eCl@ss

eCl@ss 4.0	272607xx
eCl@ss 4.1	27260701
eCl@ss 5.0	27260701
eCl@ss 5.1	27260701
eCl@ss 6.0	27260708
eCl@ss 7.0	27440312
eCl@ss 8.0	27440210
eCl@ss 9.0	27440210

ETIM

ETIM 3.0	EC001121
ETIM 4.0	EC001121
ETIM 5.0	EC002310

UNSPSC

UNSPSC 6.01	31261501
UNSPSC 7.0901	31261501
UNSPSC 11	31261501
UNSPSC 12.01	31261501
UNSPSC 13.2	31261501

Approvals

EAC / EAC /

Approval details

EAC s

s

Accessories

Female insert

VS-08-BU-RJ45-6/LH-1 - 1653087



Panel mounting frames - VS-PPC-F1-RJ45-MNNA-1R- PHA - 1608029

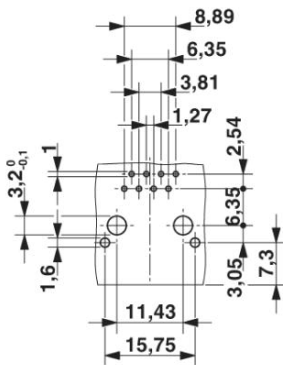
Accessories

VS-08-BU-RJ45-6/LV-1 - 1653090



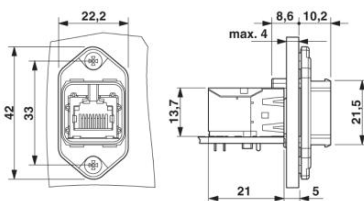
Drawings

Drilling diagram



Drilling diagram

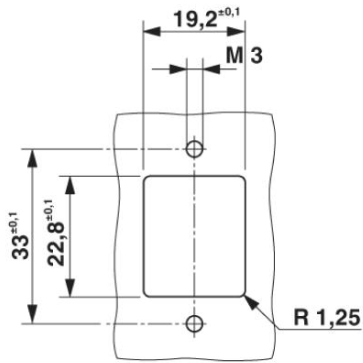
Dimensional drawing



Push-Pull panel mounting frame RJ45

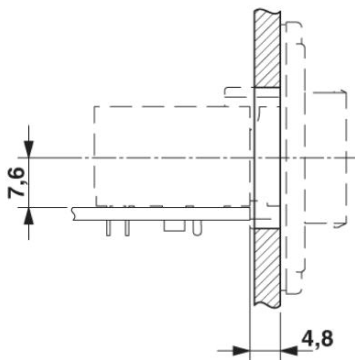
Panel mounting frames - VS-PPC-F1-RJ45-MNNA-1R- PHA - 1608029

Dimensional drawing

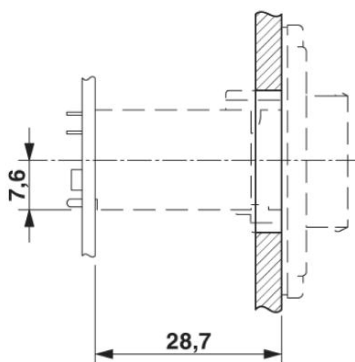


Panel cutout

Dimensional drawing



Dimensional drawing



Phoenix Contact 2016 © - all rights reserved
<http://www.phoenixcontact.com>