

# Panel mounting frames - VS-PPC-F2-MSTB-MNNA-1R-P - 1608087

Please be informed that the data shown in this PDF Document is generated from our Online Catalog. Please find the complete data in the user's documentation. Our General Terms of Use for Downloads are valid (<http://download.phoenixcontact.com>)



MSTB panel mounting frame, IP67, for push-pull interlocking, metal, for PCB connection, for square panel cutout, with grommet, without mounting screws



## Key commercial data

package_quantity	1
GTIN	4046356131759

## Technical data

### Mechanical characteristics

Locking type	Push Pull
Insertion/withdrawal cycles	≥ 500
Color	silver

### Ambient conditions

Ambient temperature (operation)	-40 °C ... 80 °C
Degree of protection	IP65/67

### Material data

Inflammability class according to UL 94	V0
Housing material	Zinc die-cast
Housing surface material	Nickel-plated
Material	Metal
Sealing material	NBR
Seal material	NBR

### Electrical characteristics

Pollution degree	2
------------------	---

## classifications

### eCl@ss

eCl@ss 4.0	272607xx
eCl@ss 4.1	27260701

# Panel mounting frames - VS-PPC-F2-MSTB-MNNA-1R-P - 1608087

## classifications

### eCl@ss

eCl@ss 5.0	27260701
eCl@ss 5.1	27260701
eCl@ss 6.0	27260708
eCl@ss 7.0	27440312
eCl@ss 8.0	27440312

### ETIM

ETIM 3.0	EC001121
ETIM 4.0	EC001121
ETIM 5.0	EC002310

### UNSPSC

UNSPSC 6.01	31261501
UNSPSC 7.0901	31261501
UNSPSC 11	31261501
UNSPSC 12.01	31261501
UNSPSC 13.2	31261501

## accessories

### Contact insert

VS-MSTBVA 2,5/ 5-GB-5,08-BK-A - 1609565



VS-MSTBVA 2,5/ 5-GB-5,08-RD-B - 1609581



# Panel mounting frames - VS-PPC-F2-MSTB-MNNA-1R-P - 1608087

accessories

VS-MSTBAH 2,5/ 5-GB-5,08-BK-A - 1657915

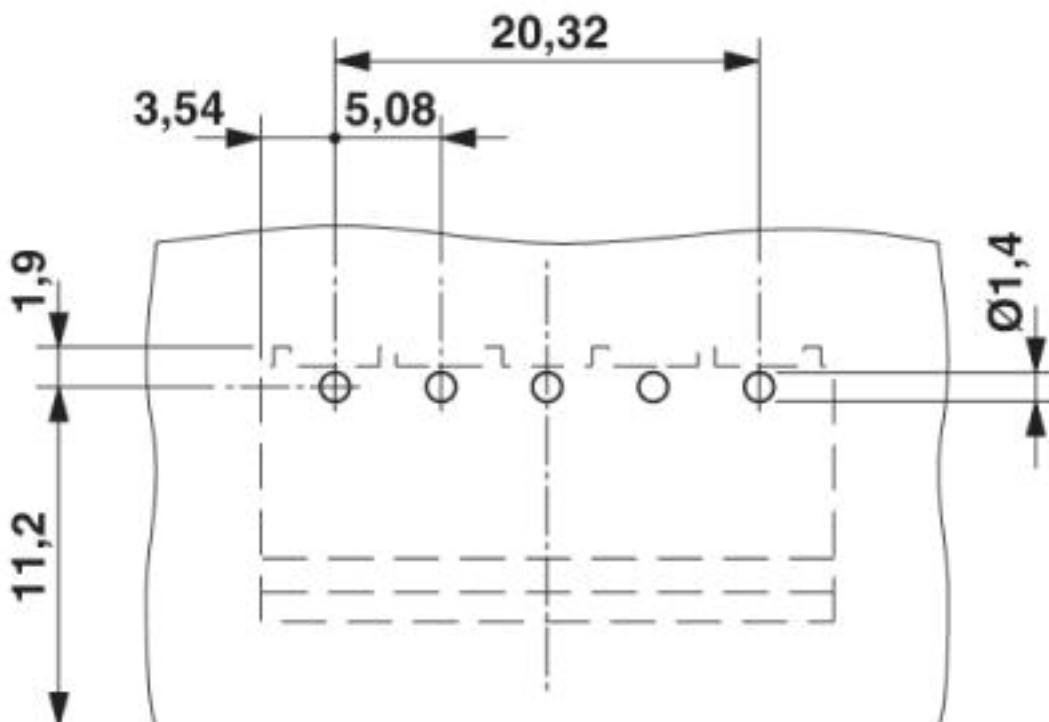


VS-MSTBAH 2,5/ 5-GB-5,08-RD-B - 1609549



## Drawings

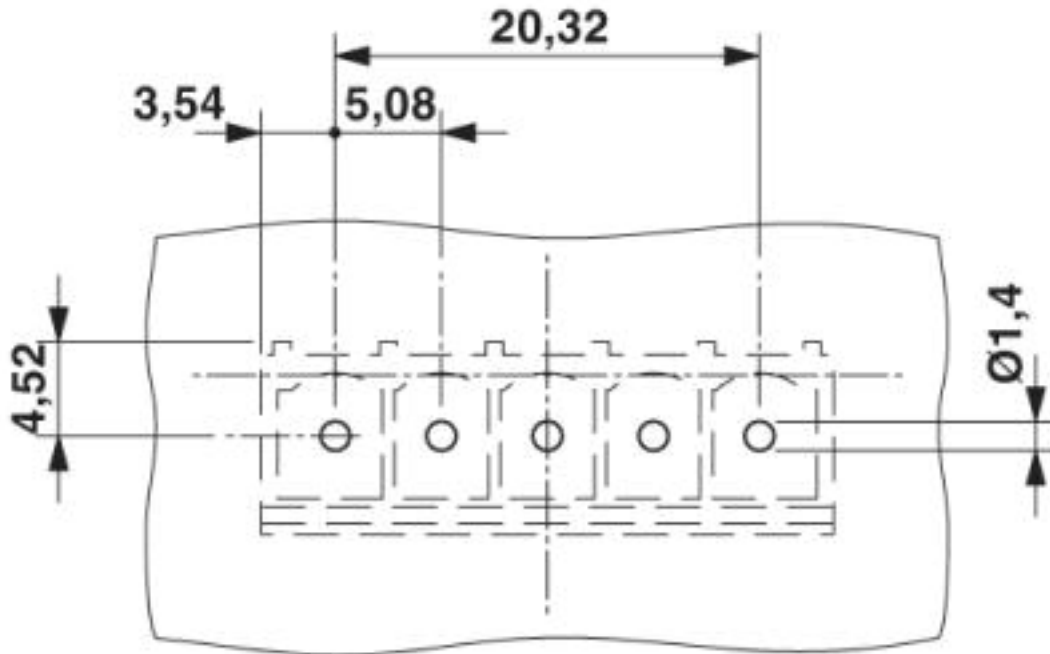
Drilling diagram



Drilling diagram

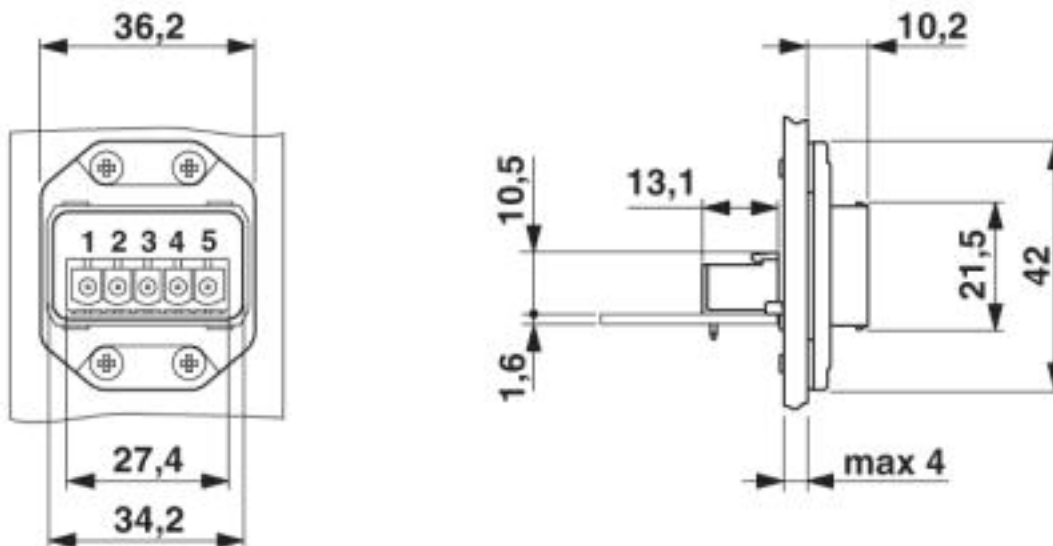
# Panel mounting frames - VS-PPC-F2-MSTB-MNNA-1R-P - 1608087

Drilling diagram



Drilling diagram

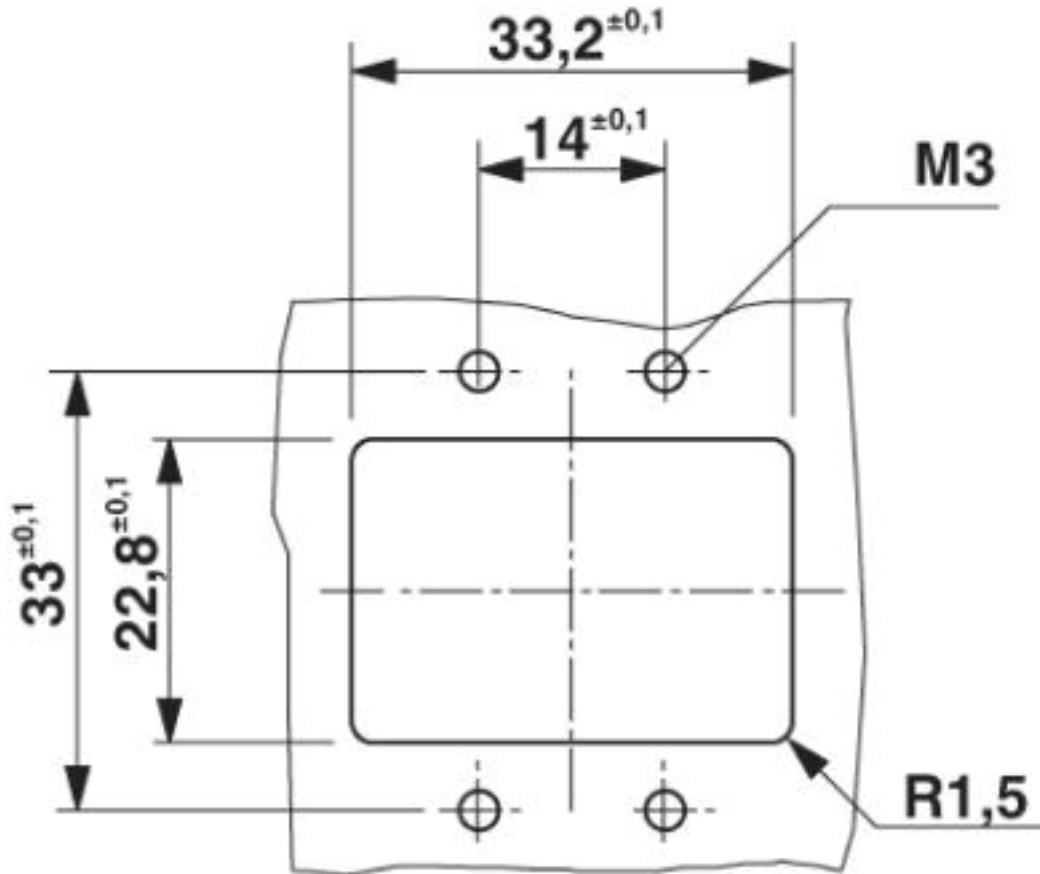
Dimensioned drawing



PROFINET POWER panel mounting frame, IP67

# Panel mounting frames - VS-PPC-F2-MSTB-MNNA-1R-P - 1608087

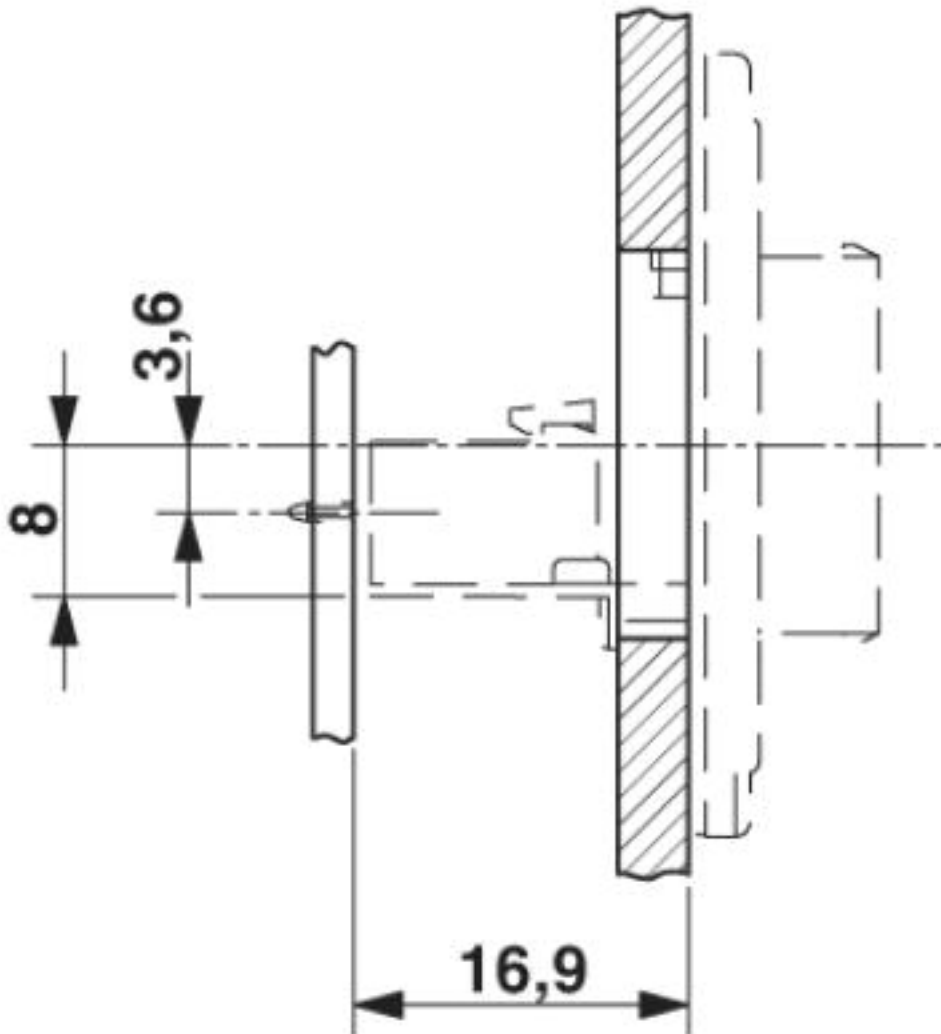
Dimensioned drawing



Panel cutout

# Panel mounting frames - VS-PPC-F2-MSTB-MNNA-1R-P - 1608087

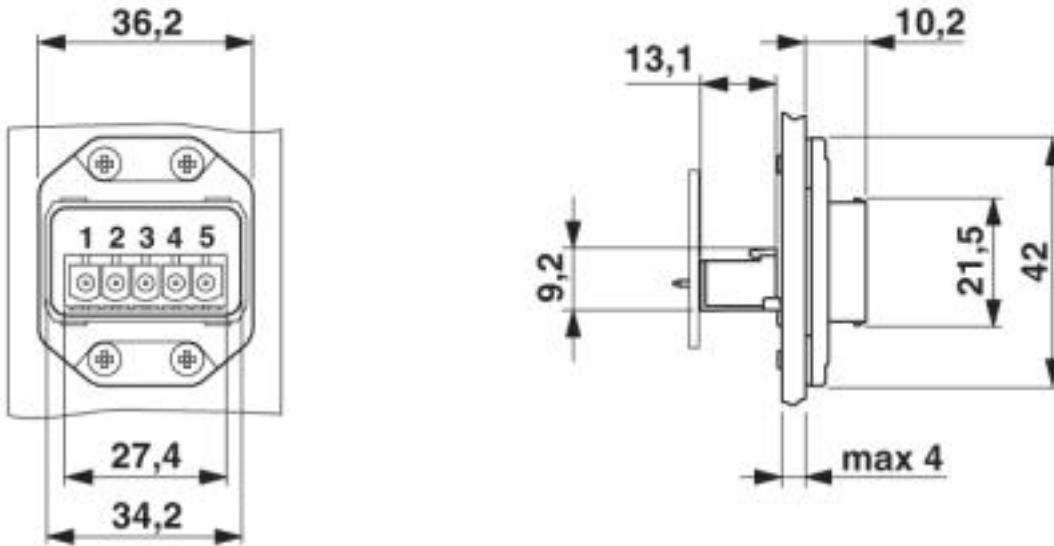
Dimensioned drawing



PCB alignment, straight solder pins

# Panel mounting frames - VS-PPC-F2-MSTB-MNNA-1R-P - 1608087

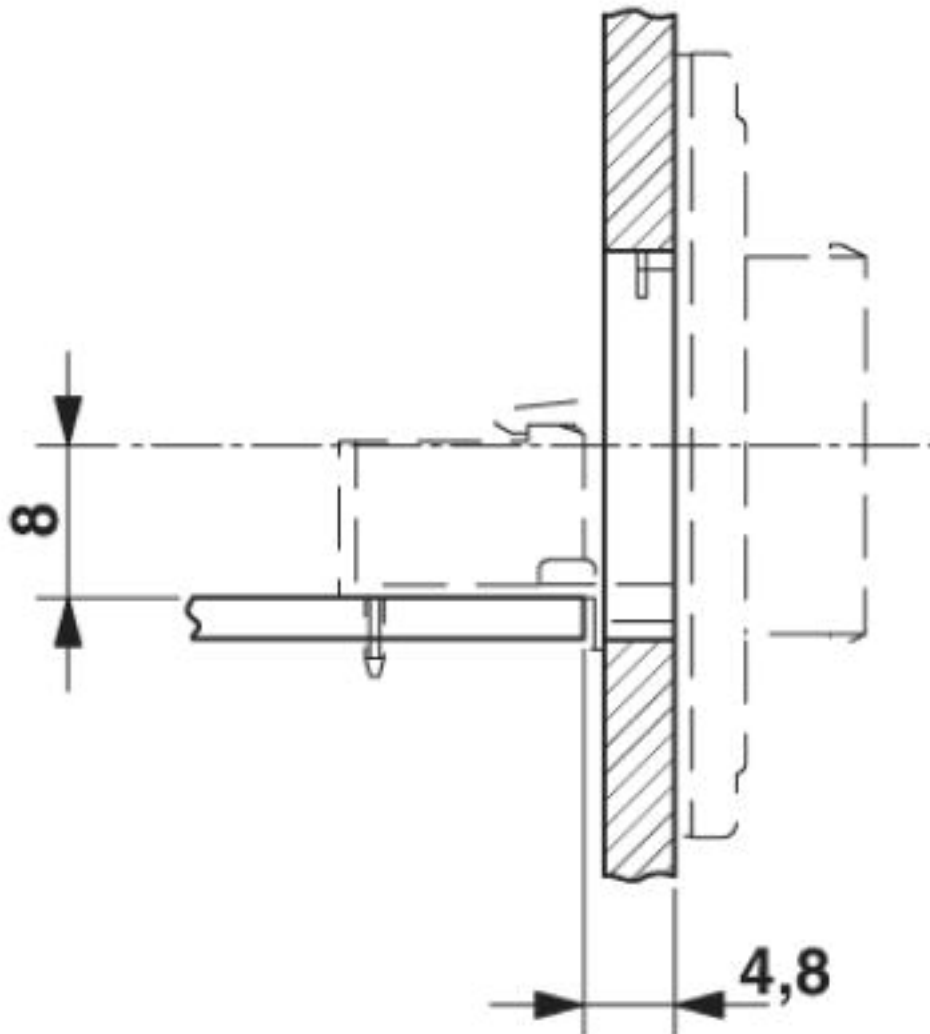
Dimensioned drawing



PROFINET POWER panel mounting frame, IP67

# Panel mounting frames - VS-PPC-F2-MSTB-MNNA-1R-P - 1608087

Dimensioned drawing



PCB alignment, angled solder pins

© Phoenix Contact 2013 - all rights reserved  
<http://www.phoenixcontact.com>