

# Panel mounting frames - VS-PPC-F1-RJ45-POBK-1R-F - 1608197

Please be informed that the data shown in this PDF Document is generated from our Online Catalog. Please find the complete data in the user's documentation. Our General Terms of Use for Downloads are valid (<http://download.phoenixcontact.com>)



RJ45 panel mounting frame, IP67, for push-pull interlocking, plastic, with the Freenet system, for square panel cutout, with grommet, without mounting screws



## Key commercial data

package_quantity	1
GTIN	4046356159937

## Technical data

### Mechanical characteristics

Locking type	Push Pull
Insertion/withdrawal cycles	≥ 500
Color	black

### Ambient conditions

Ambient temperature (operation)	-40 °C ... 70 °C
Degree of protection	IP65/67

### Material data

Inflammability class according to UL 94	V0
Housing material	PA-GF
Material	Plastic
Sealing material	NBR
Seal material	NBR

### Electrical characteristics

Pollution degree	2
------------------	---

## classifications

### eCl@ss

eCl@ss 4.0	272607xx
eCl@ss 4.1	27260701
eCl@ss 5.0	27260701
eCl@ss 5.1	27260701

# Panel mounting frames - VS-PPC-F1-RJ45-POBK-1R-F - 1608197

## classifications

### eCl@ss

eCl@ss 6.0	27260708
eCl@ss 7.0	27440312
eCl@ss 8.0	27440312

### ETIM

ETIM 3.0	EC001121
ETIM 4.0	EC001121
ETIM 5.0	EC002310

### UNSPSC

UNSPSC 6.01	31261501
UNSPSC 7.0901	31261501
UNSPSC 11	31261501
UNSPSC 12.01	31261501
UNSPSC 13.2	31261501

## accessories

### Rectangular connector (device side)

VS-08-BU-RJ45-5-F/BU - 1652952



---

### Female insert

VS-08-BU-RJ45-5-F/PK - 1652936



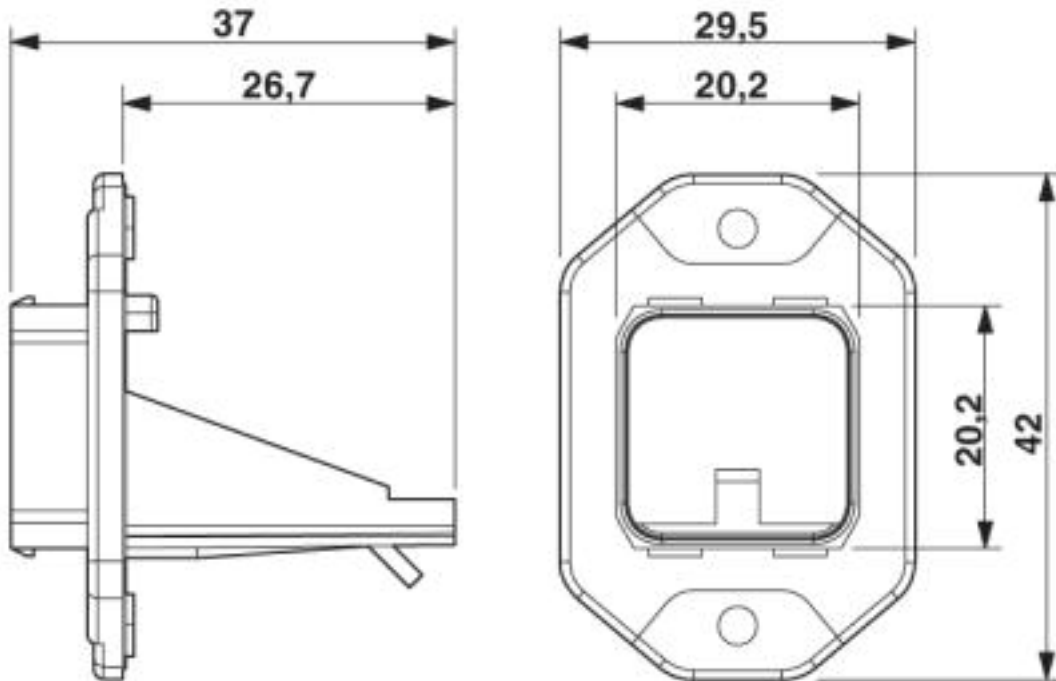
VS-08-BU-RJ45-6-F/PK - 1652949



# Panel mounting frames - VS-PPC-F1-RJ45-POBK-1R-F - 1608197

## Drawings

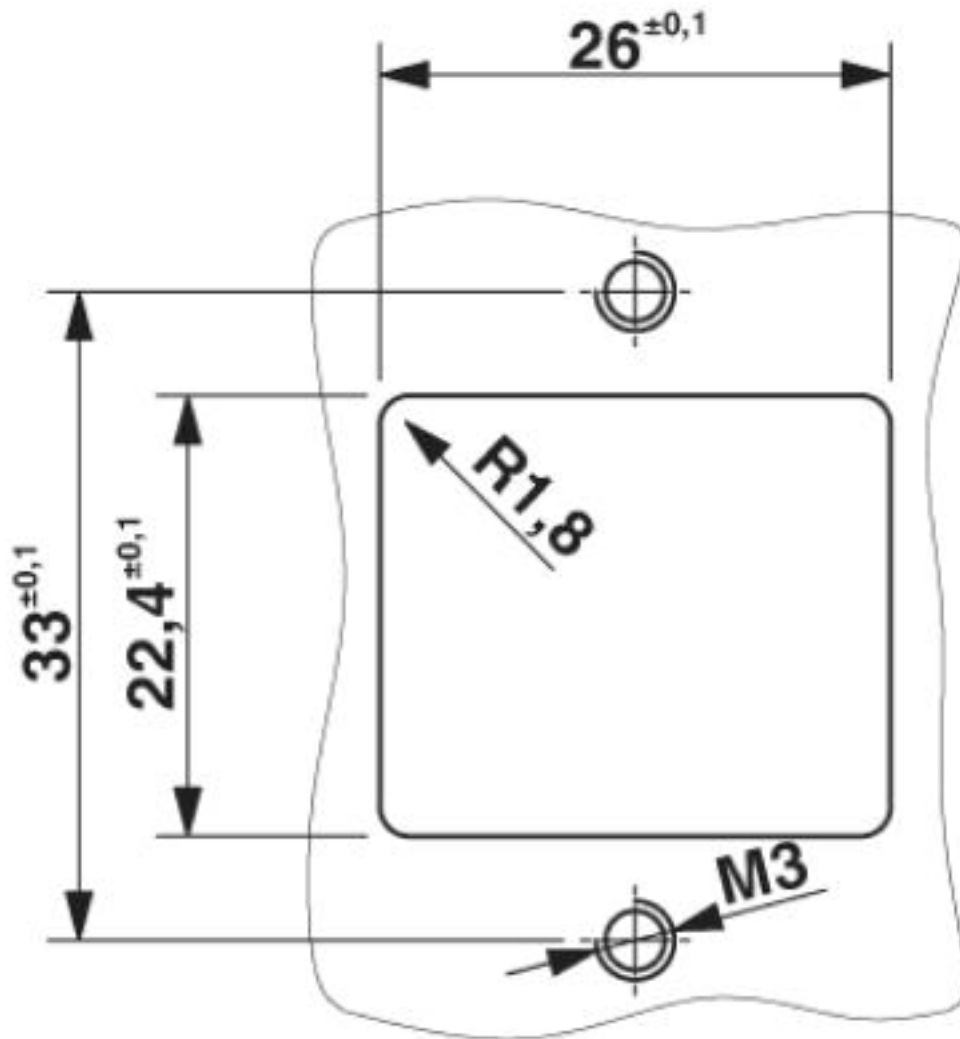
Dimensioned drawing



Push-Pull panel mounting frame, Freenet system, IP67

# Panel mounting frames - VS-PPC-F1-RJ45-POBK-1R-F - 1608197

Dimensioned drawing



Panel cutout

© Phoenix Contact 2013 - all rights reserved  
<http://www.phoenixcontact.com>