

# Device connector, front mounting - ST-08S1N8AA500S - 1620455

Please be informed that the data shown in this PDF Document is generated from our Online Catalog. Please find the complete data in the user's documentation. Our General Terms of Use for Downloads are valid (<http://download.phoenixcontact.com>)



Device connector, front mounting, angled rotatable, SPEEDCON locking, M17, Number of positions: 8, Type of contact: Socket, Crimp connection, Axial O-ring, 4xØ3,2, shielded: Yes, Flange dimensions: 25.75 mm x 25.75 mm

## Key commercial data

package_quantity	1
GTIN	4046356828451

## Technical data

### General

Note	Order information Order 8 x Ø 1 mm crimp contacts separately
Type of locking	SPEEDCON locking
Direction of rotation of contact chamber numbering	Standard
Coding	N
Contact connection method	Crimp connection
Type of contacts	Socket
Number of positions	8
Contact diameter of power contacts	1 mm
Nominal current per power contact at 25°C	3.6 A
Mounting type	4xØ3,2

### Ambient conditions

Degree of protection	IP67
----------------------	------

### Specifications according to DIN EN 61984:2001

Installation height max.	3000 m
Nominal / operating voltage of power contacts	60 V
Rated surge voltage of power contacts	1.5 kV
Surge voltage category of power contacts	III
Pollution degree of power contacts	3

## classifications

### eCl@ss

eCl@ss 4.0	272607xx
eCl@ss 4.1	27260701

# Device connector, front mounting - ST-08S1N8AA500S - 1620455

## classifications

### eCl@ss

eCl@ss 5.0	27143424
eCl@ss 5.1	27143424
eCl@ss 6.0	27143424
eCl@ss 7.0	27440209
eCl@ss 8.0	27440209

### ETIM

ETIM 3.0	EC001121
ETIM 4.0	EC002635
ETIM 5.0	EC002635


### UNSPSC

UNSPSC 6.01	43172015
UNSPSC 7.0901	43201404
UNSPSC 11	43172015
UNSPSC 12.01	43201404
UNSPSC 13.2	43201404

## approvals

cUL Recognized /

### Approval details

cUL Recognized 	
Nominal voltage UN	60 V
Nominal current IN	1 A
mm <sup>2</sup> /AWG/kcmil	

## accessories

### Crimp contact

ST-10KS010 - 1618239



## Device connector, front mounting - ST-08S1N8AA500S - 1620455

accessories

ST-10KS020 - 1618251



ST-10KS030 - 1618254



SF-10KS320 - 1607031



SF-10KS350 - 1607032



SF-10KS330 - 1607358



SF-10KS360 - 1607361



## Device connector, front mounting - ST-08S1N8AA500S - 1620455

accessories

---

### Protective cover

ST-Z0006 - 1607776



### Mounting material

ST-Z0019 - 1620621



ST-Z0020 - 1620622



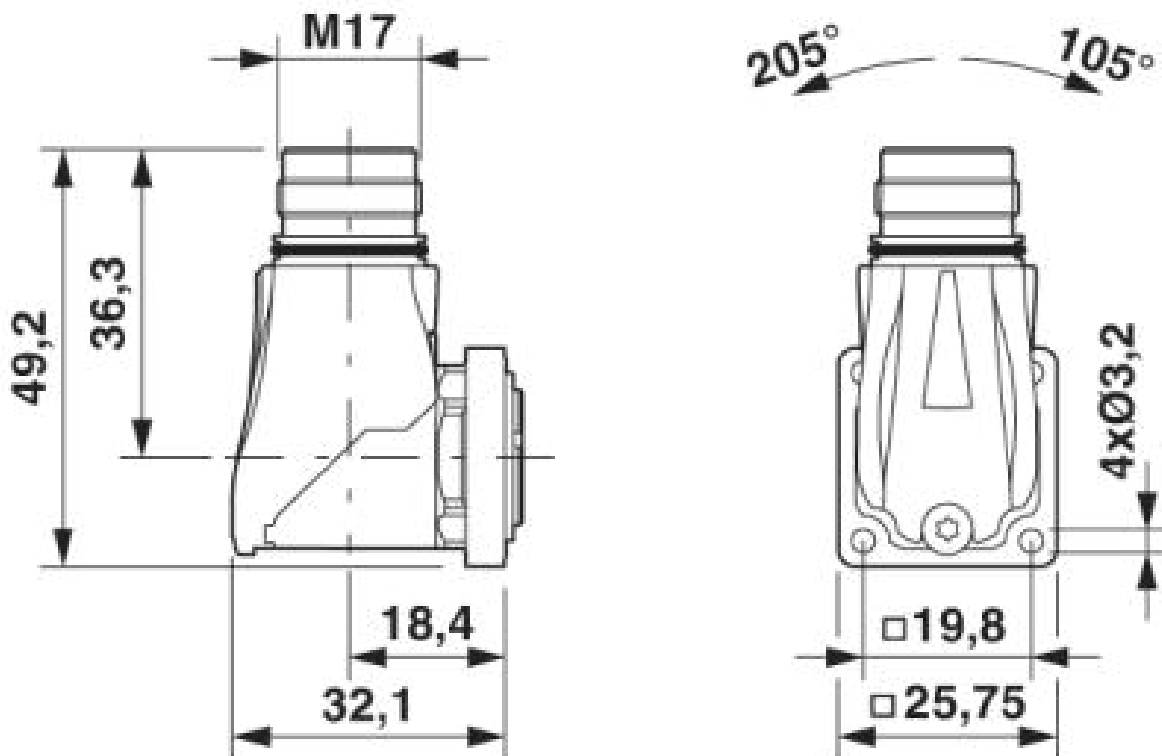
ST-Z0021 - 1620623



### Drawings

# Device connector, front mounting - ST-08S1N8AA500S - 1620455

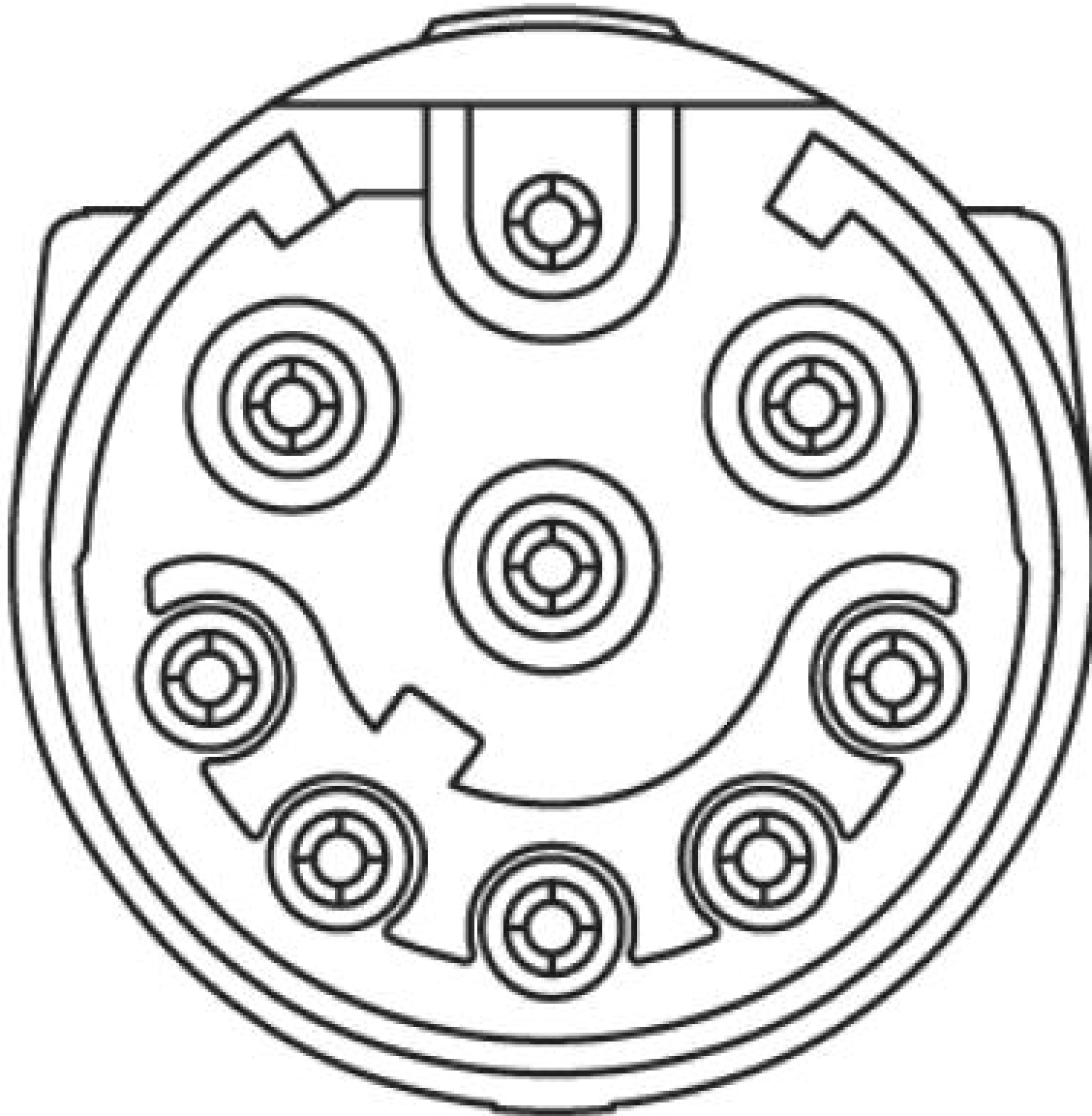
Dimensioned drawing



Dimensional drawing

# Device connector, front mounting - ST-08S1N8AA500S - 1620455

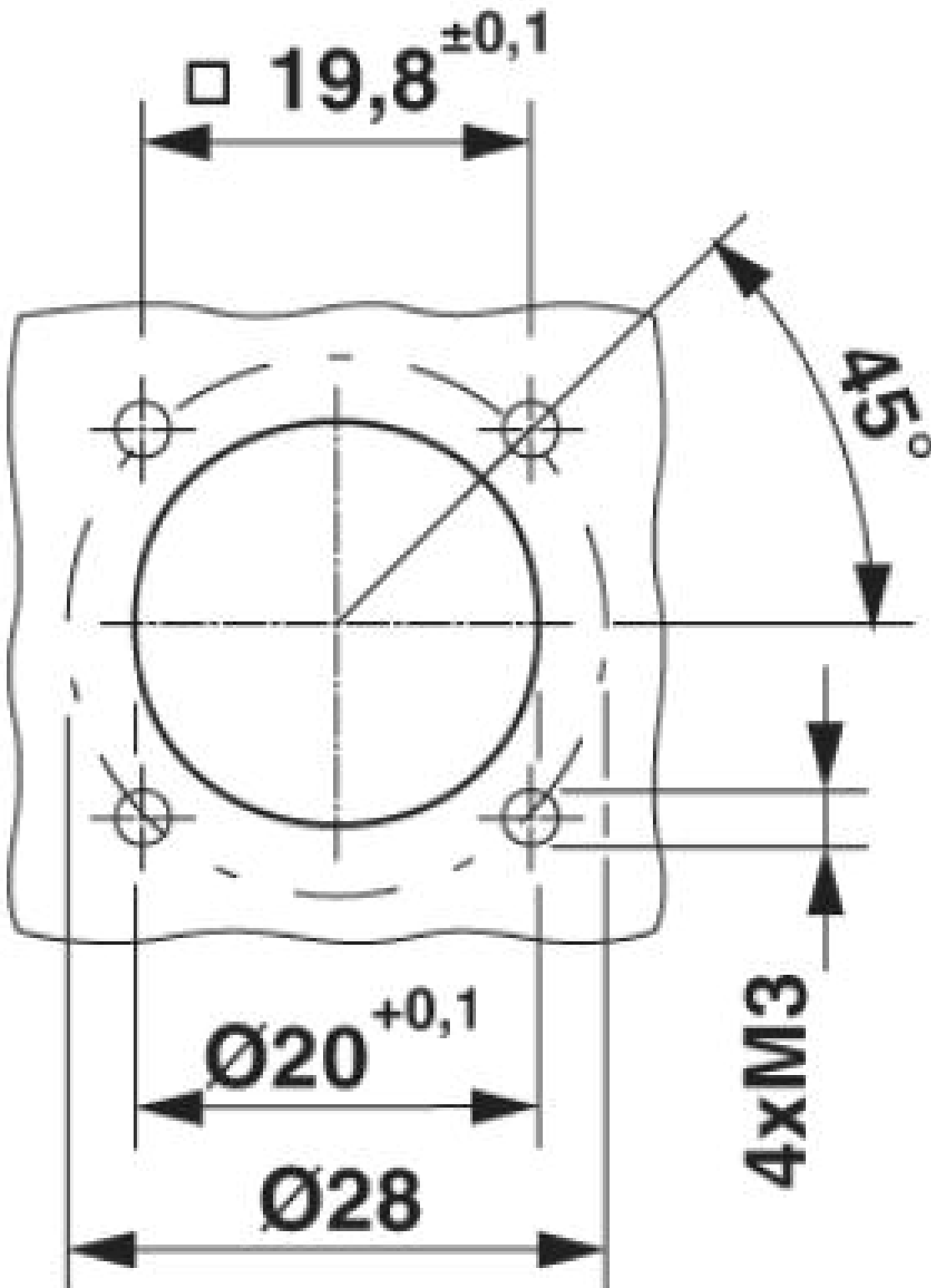
Schematic diagram



Connector pin assignment

# Device connector, front mounting - ST-08S1N8AA500S - 1620455

Schematic diagram



Drill holes

