

Contact insert module - HC-K 8/24-EBUC - 1636321

Please be informed that the data shown in this PDF Document is generated from our Online Catalog. Please find the complete data in the user's documentation. Our General Terms of Use for Downloads are valid (<http://download.phoenixcontact.com>)



HEAVYCON female insert, K8/24 series, for 8 power and 24 control contacts, crimp connection

Key commercial data

package_quantity	1
GTIN	4046356011464

Technical data

General

Note	For housing HC-B10, power contacts: CK 2,5-ED, control contacts: CK 1,6-ED (crimp contacts not included in scope of delivery)
Connection method	Crimp connection (power contacts)
Connection method	Crimp connection (Signal contacts)
Pollution degree	3
Surge voltage category	III
Number of positions	8+24+PE
No. of power contacts	8
No. of control contacts	24
Insertion/withdrawal cycles	≥ 500
Design	B10
Connection in acc. with standard	IEC / EN
Conductor cross section	0.5 mm ² ... 4 mm ² (power contacts)
Conductor cross section	0.14 mm ² ... 2.5 mm ² (control contacts)
Connection cross section AWG	20 ... 12 (power contacts)
Connection cross section AWG	26 ... 14 (control contacts)
Stripping length of the individual wire	7.5 mm
Stripping length of the individual wire	8 mm (0.14 - 1.5 mm ²)
Stripping length of the individual wire	6 mm (2.5 mm ²)
Assembly instructions	- Dismantling of CK2,5-ED power contacts... using a size 0 Phillips screwdriver (DIN 5260).
Connection	Connectors may be plugged in only when there is no load/voltage.

Ambient conditions

Ambient temperature (operation)	-40 °C ... 125 °C
---------------------------------	-------------------

Contact insert module - HC-K 8/24-EBUC - 1636321

Technical data

Material data

Inflammability class according to UL 94	V0
Contact material	Cu alloy
Material of contact surface, power contact	Ag (alternat. Au)
Material of contact surface, control contact	Ag (alternatively Au)
Contact carrier material	PA

Electrical characteristics

Rated voltage for power contacts	230/400 V
Rated voltage (III/3)	Power 230 V (Conductor-PE)
Rated voltage (III/3)	Signal 160 V
Rated voltage (III/3)	Power 400 V (Conductor-Conductor)
Rated surge voltage	4 kV (power contacts)
Rated surge voltage	2.5 kV (control contacts)
Rated current	16 A (power contacts)
Rated current	10 A (control contacts)

classifications

eCl@ss

eCl@ss 4.0	27140816
eCl@ss 4.1	27140816
eCl@ss 5.0	27143424
eCl@ss 5.1	27143424
eCl@ss 6.0	27143424
eCl@ss 7.0	27440209
eCl@ss 8.0	27440209

ETIM

ETIM 2.0	EC000438
ETIM 3.0	EC000438
ETIM 4.0	EC000438
ETIM 5.0	EC000438

UNSPSC

UNSPSC 6.01	30211923
UNSPSC 7.0901	39121522
UNSPSC 11	39121522
UNSPSC 12.01	39121522
UNSPSC 13.2	39121522

approvals

Contact insert module - HC-K 8/24-EBUC - 1636321

approvals

Approval details

CSA	
Nominal voltage UN	600 V
Nominal current IN	16 A
mm ² /AWG/kcmil	20-12

UL Recognized	
Nominal voltage UN	600 V
Nominal current IN	
mm ² /AWG/kcmil	

GOST	
-------------	--

accessories

Fiber optics contact

CK1,6-ED-BU-POF - 1885004



Crimp contact

CK1,6-ED-0,37BU AG - 1663394



Contact insert module - HC-K 8/24-EBUC - 1636321

accessories

CK1,6-ED-0,50BU AG - 1663404



CK1,6-ED-0,75BU AG - 1663417



CK1,6-ED-1,00BU AG - 1663420



CK1,6-ED-1,50BU AG - 1663433



CK1,6-ED-2,50BU AG - 1663446



CK1,6-ED-0,37BU AU - 1674969



Contact insert module - HC-K 8/24-EBUC - 1636321

accessories

CK1,6-ED-0,50BU AU - 1674480



CK1,6-ED-0,75BU AU - 1672440



CK1,6-ED-1,00BU AU - 1674943



CK1,6-ED-1,50BU AU - 1674930



CK1,6-ED-2,50BU AU - 1674985



Contact insert module - HC-K 8/24-EBUC - 1636321

accessories

CK2,5-ED-0,50BU AG - 1663640



CK2,5-ED-0,75BU AG - 1663653



CK2,5-ED-1,00BU AG - 1663666



CK2,5-ED-1,50BU AG - 1663679



CK2,5-ED-2,50BU AG - 1663682



CK2,5-ED-3,00BU AG - 1663695



Contact insert module - HC-K 8/24-EBUC - 1636321

accessories

CK2,5-ED-4,00BU AG - 1663705



CK2,5-ED-0,50BU AU - 1674859



CK2,5-ED-1,00BU AU - 1674833



CK2,5-ED-1,50BU AU - 1674820



CK2,5-ED-2,50BU AU - 1674862



Contact insert module - HC-K 8/24-EBUC - 1636321

accessories

CK2,5-ED-4,00BU AU - 1674846



accessories

CK2,5-ED-0,37BU AG - 1585634



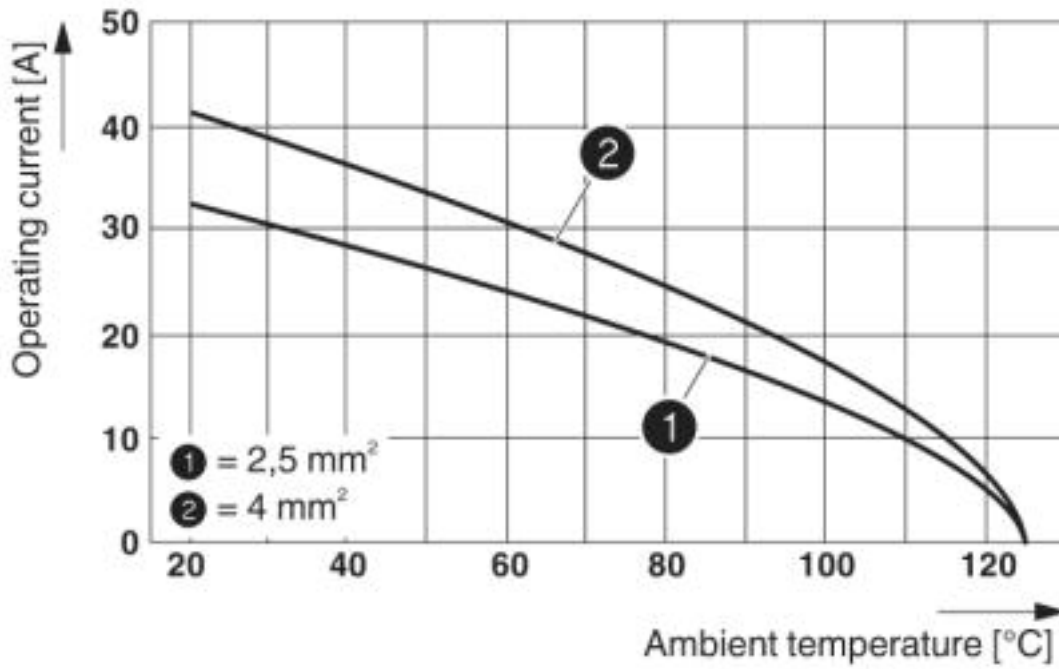
CK2,5-ED-0,37BU AU - 1585647



Drawings

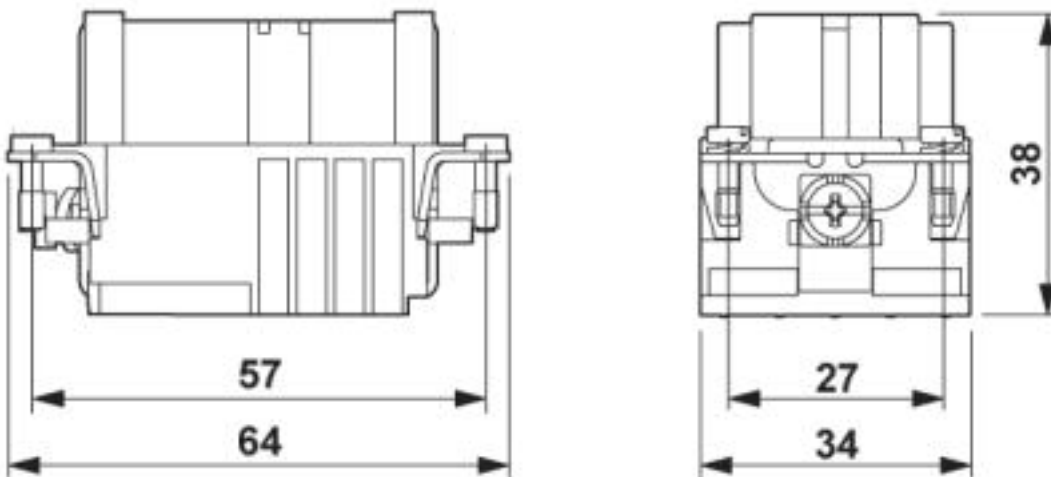
Contact insert module - HC-K 8/24-EBUC - 1636321

Diagram



Derating diagram

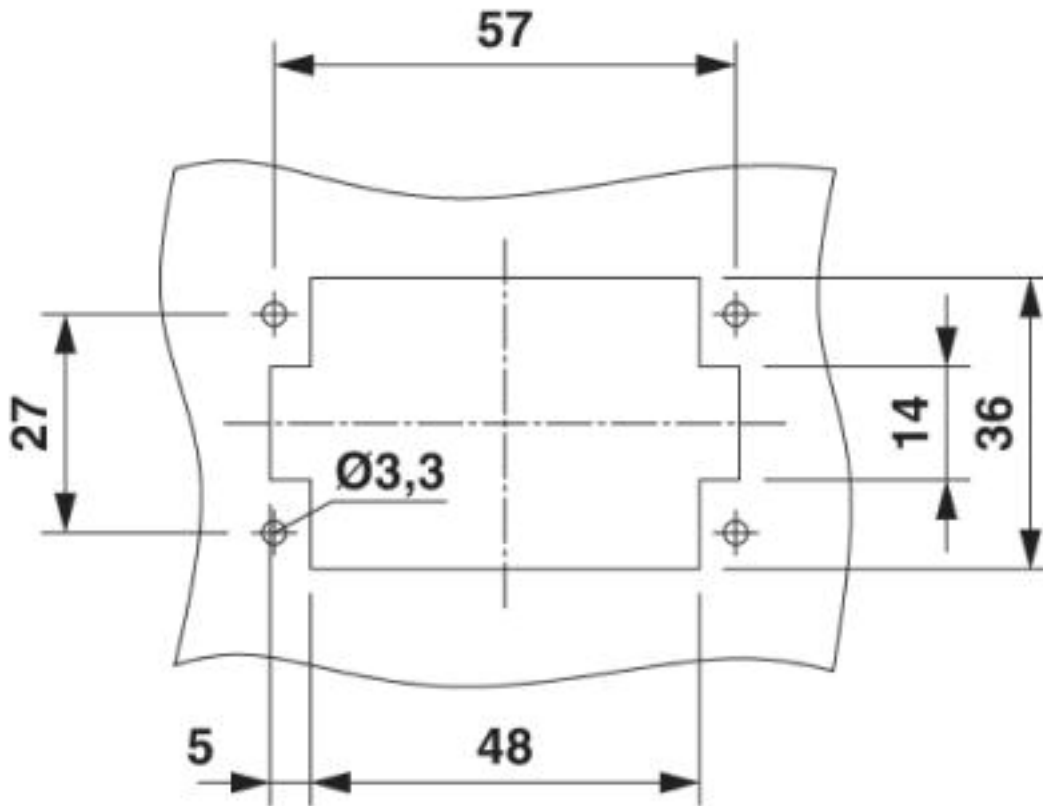
Dimensioned drawing



Dimensional drawing

Contact insert module - HC-K 8/24-EBUC - 1636321

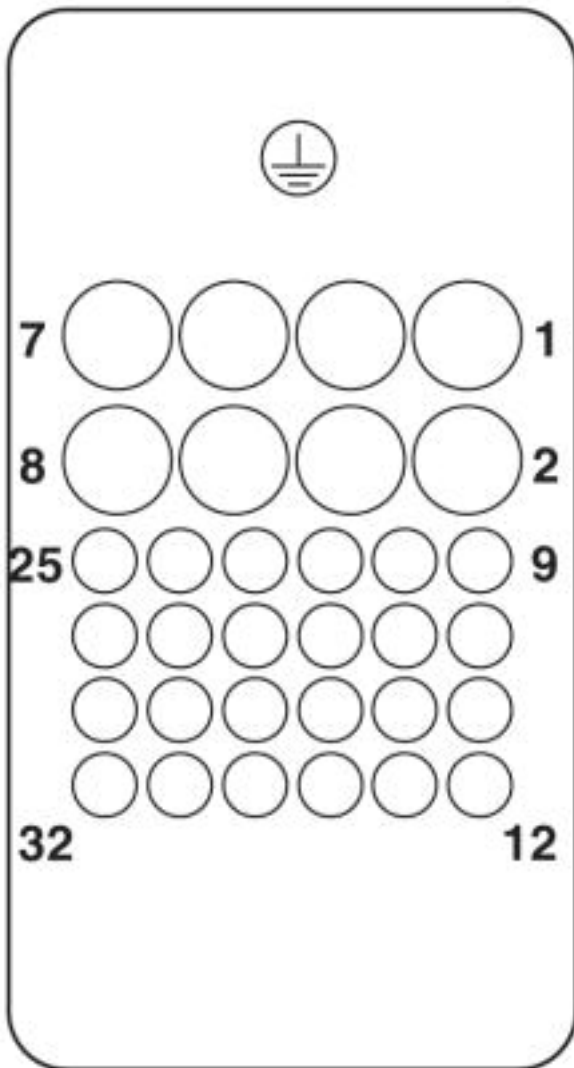
Dimensioned drawing



Panel cutout

Contact insert module - HC-K 8/24-EBUC - 1636321

Schematic diagram



Connector pin assignment, connection side

© Phoenix Contact 2013 - all rights reserved
<http://www.phoenixcontact.com>