

D-SUB panel mounting frames - VS-25-A-DEVNET-S - 1652253

Please be informed that the data shown in this PDF Document is generated from our Online Catalog. Please find the complete data in the user's documentation. Our General Terms of Use for Downloads are valid (<http://download.phoenixcontact.com>)



D-SUB panel mounting frame, for DeviceNet, shell size 3, header, screw connection, unshielded, connection direction straight, IP67 degree of protection

DeviceNet™

Key commercial data

package_quantity	1
GTIN	4017918929152

Technical data

Mechanical characteristics

Number of positions	5
Connection method	Screw connection
Conductor cross section	0.2 mm ² ... 2.5 mm ²
Connection cross section AWG	24 ... 12

Ambient conditions

Ambient temperature (operation)	-40 °C ... 80 °C
Degree of protection	IP67

Material data

Inflammability class according to UL 94	V0
Housing material	PA
Contact carrier material	PBT
Contact material	Cu alloy
Contact surface material	Gold-plated

Electrical characteristics

Number of positions	5
Rated current	8 A
Surge voltage category	III
Pollution degree	3

Electrical characteristics

Rated voltage (III/3)	250 V
Rated current	8 A

D-SUB panel mounting frames - VS-25-A-DEVNET-S - 1652253

classifications

eCl@ss

eCl@ss 4.0	27140816
eCl@ss 4.1	27260701
eCl@ss 5.0	27260701
eCl@ss 5.1	27260701
eCl@ss 6.0	27261203
eCl@ss 7.0	27440202
eCl@ss 8.0	27440202

ETIM

ETIM 2.0	EC000437
ETIM 3.0	EC000437
ETIM 4.0	EC000437
ETIM 5.0	EC002310

UNSPSC

UNSPSC 6.01	31261501
UNSPSC 7.0901	31261501
UNSPSC 11	31261501
UNSPSC 12.01	31261501
UNSPSC 13.2	31261501

accessories

Protective cover

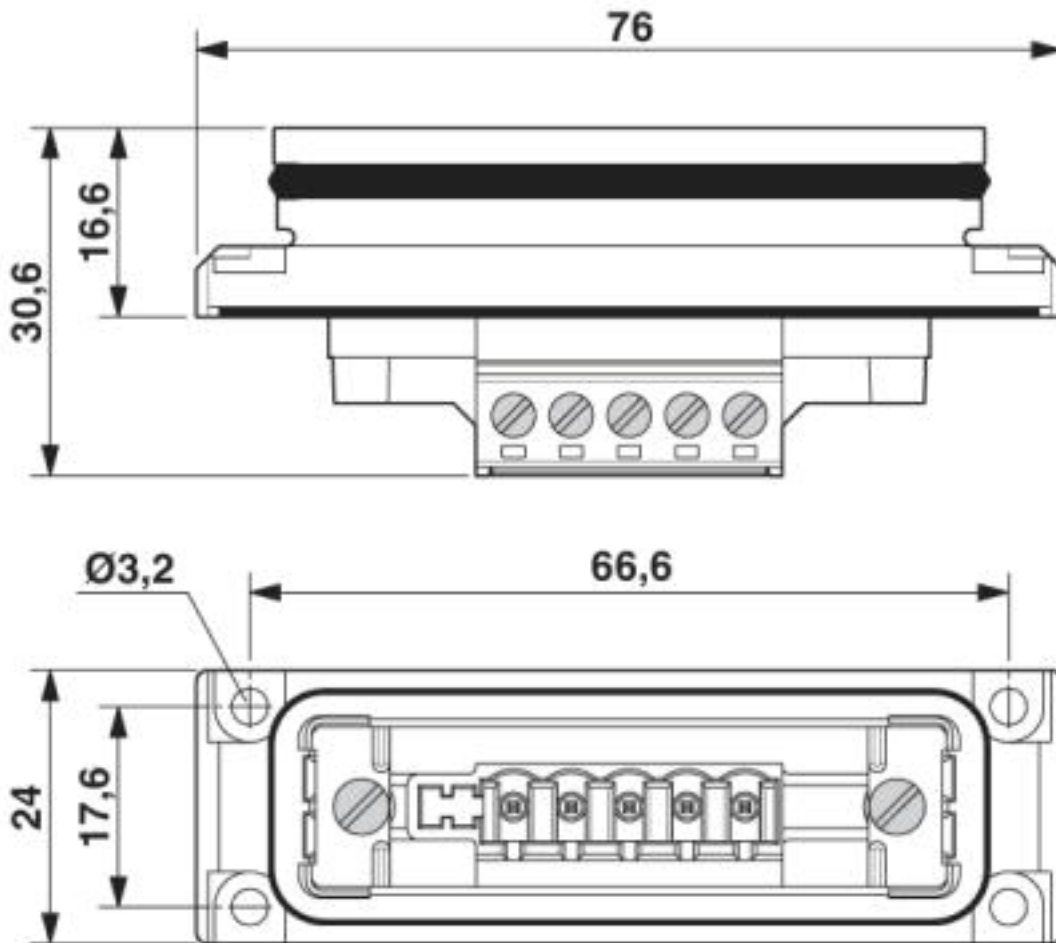
VS-25-SD - 1652211



Drawings

D-SUB panel mounting frames - VS-25-A-DEVNET-S - 1652253

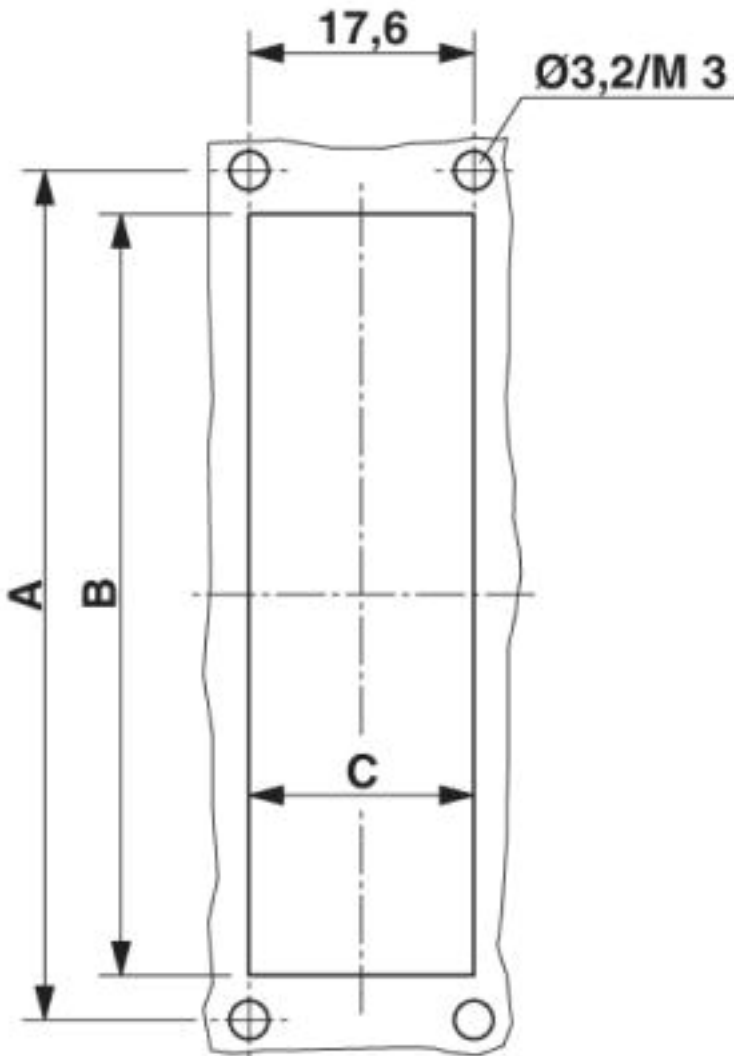
Dimensioned drawing



D-SUB panel mounting frame

D-SUB panel mounting frames - VS-25-A-DEVNET-S - 1652253

Dimensioned drawing



Panel cutout: VS-25-A...

© Phoenix Contact 2013 - all rights reserved
<http://www.phoenixcontact.com>