

D-SUB contact insert - VS-09-BU-DSUB-LH-B - 1654798

Please be informed that the data shown in this PDF Document is generated from our Online Catalog. Please find the complete data in the user's documentation. Our General Terms of Use for Downloads are valid (<http://download.phoenixcontact.com>)



D-SUB contact insert, shell size 1, with nine signal contacts, contact type socket, for PCB assembly, angled, fixing with a 2.5 mm hole and solder metal plate, for panel mounting frame VS-09-...

Key commercial data

package_quantity	10
GTIN	4017918989187

Technical data

Mechanical characteristics

Number of positions	9
Connection profile	D-SUB 9
Insertion/withdrawal cycles	≥ 200
Connection method	Solder connection
Insertion force per signal contact	≤ 3.40 N

Ambient conditions

Ambient temperature (operation)	-55 °C ... 125 °C
--	-------------------

Material data

Inflammability class according to UL 94	V0
Housing material	Steel
Housing surface material	Tin-plated
Contact carrier material	PBT-GF
Contact material	Copper alloy
Contact surface material	Gold over nickel

Electrical characteristics

Rated voltage (III/3)	125 V
Rated surge voltage	1 kV
Rated current	5 A

classifications

eCl@ss

eCl@ss 4.0	27140816
eCl@ss 4.1	27260701

D-SUB contact insert - VS-09-BU-DSUB-LH-B - 1654798

classifications

eCl@ss

eCl@ss 5.0	27260701
eCl@ss 5.1	27260701
eCl@ss 6.0	27260705
eCl@ss 7.0	27440309
eCl@ss 8.0	27440309

ETIM

ETIM 2.0	EC000438
ETIM 3.0	EC000438
ETIM 4.0	EC000438
ETIM 5.0	EC000438

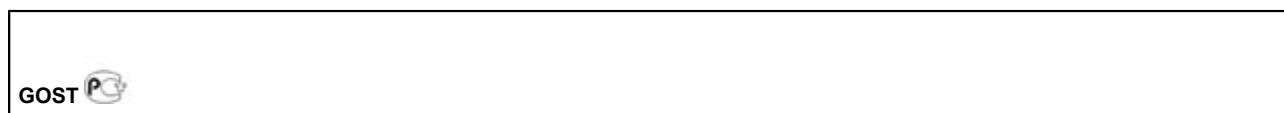
UNSPSC

UNSPSC 6.01	30211923
UNSPSC 7.0901	39121522
UNSPSC 11	39121522
UNSPSC 12.01	39121522
UNSPSC 13.2	39121522

approvals

GOST /

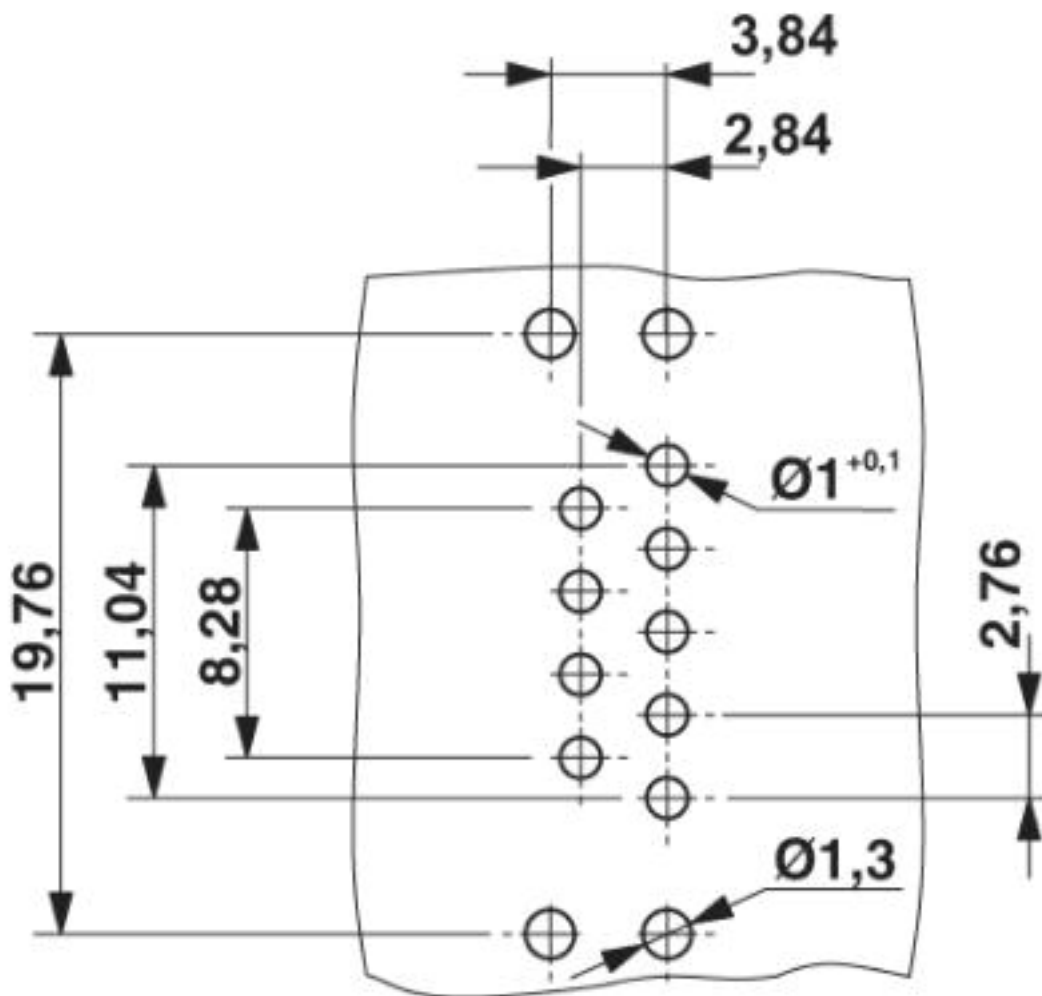
Approval details



Drawings

D-SUB contact insert - VS-09-BU-DSUB-LH-B - 1654798

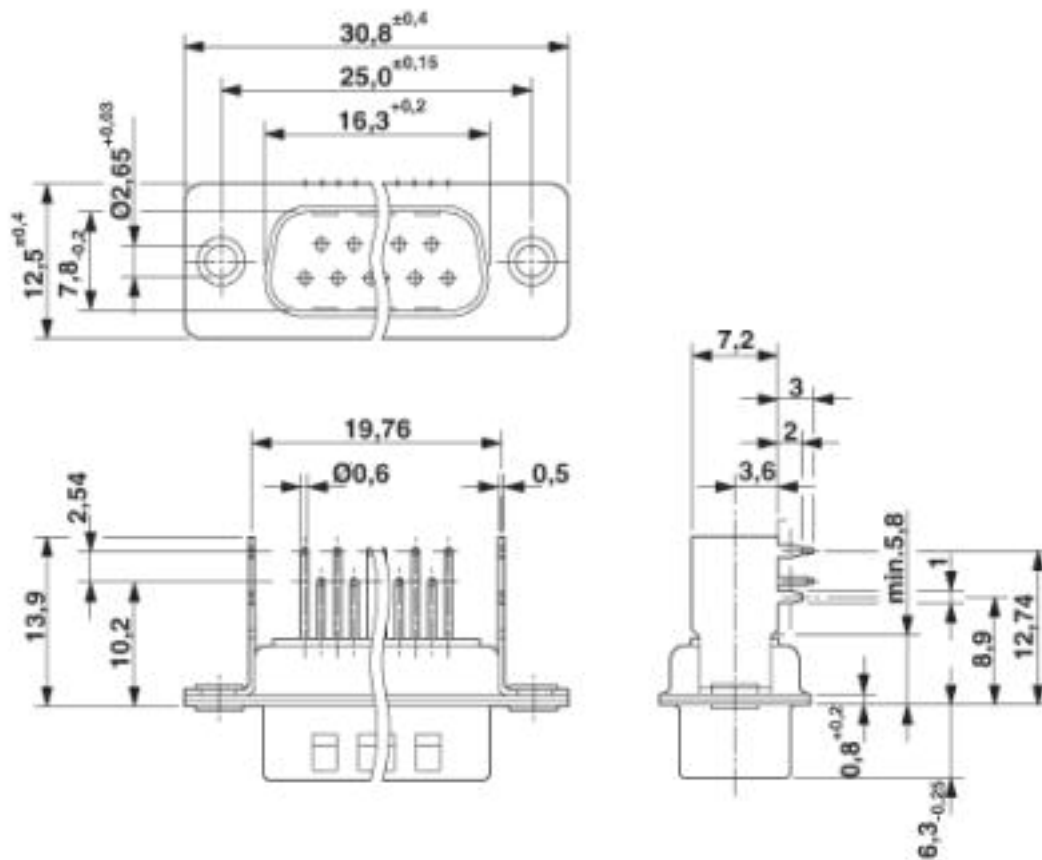
Drilling diagram



Drilling diagram

D-SUB contact insert - VS-09-BU-DSUB-LH-B - 1654798

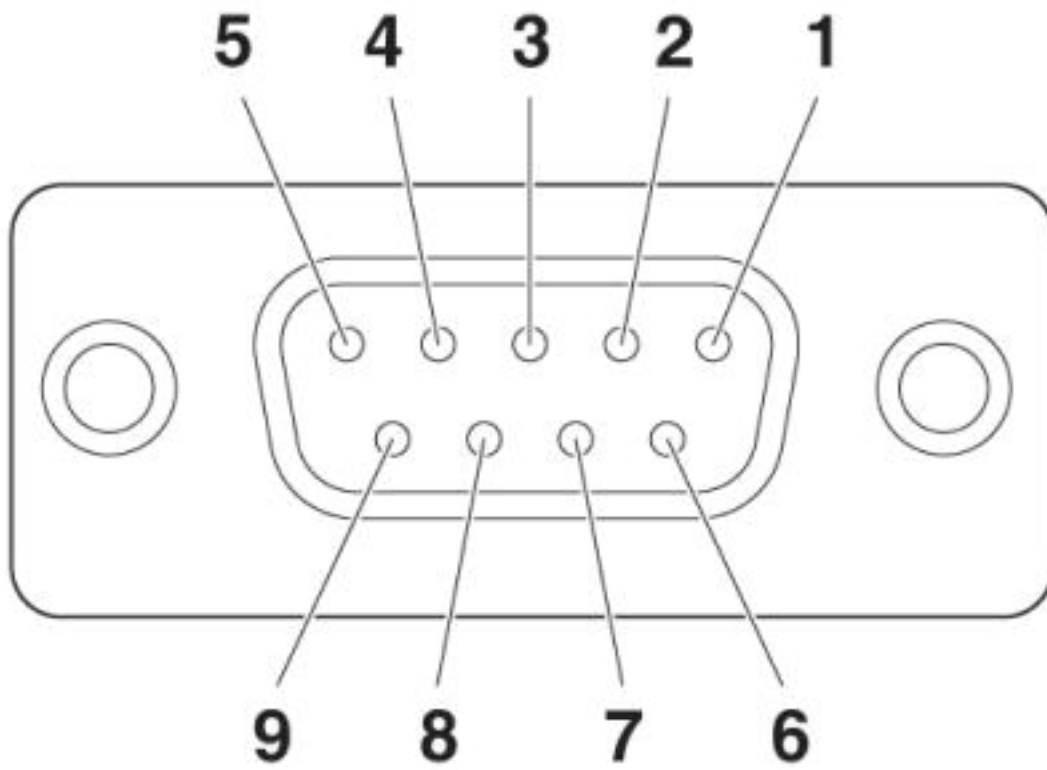
Dimensioned drawing



D-SUB contact insert

D-SUB contact insert - VS-09-BU-DSUB-LH-B - 1654798

Schematic diagram



© Phoenix Contact 2013 - all rights reserved
<http://www.phoenixcontact.com>