

# Valve connectors - SACC-V-3CON-PG9/A-1L-S - 1671137

Please be informed that the data shown in this PDF Document is generated from our Online Catalog. Please find the complete data in the user's documentation. Our General Terms of Use for Downloads are valid (<http://download.phoenixcontact.com>)



Valve connector, 3-pos., type A, 1 LED, with protective circuit, screw connection, cable screw connection Pg9

## Key commercial data

package_quantity	1
GTIN	4017918134983

## Technical data

### Dimensions

External diameter	6 mm ... 8 mm
-------------------	---------------

### Ambient conditions

Ambient temperature (operation)	-25 °C ... 60 °C (valve plug)
Degree of protection	IP65

### General

Rated current at 40°C	4 A
Rated voltage	24 V
Number of positions	3
Contact resistance	≤ 4 MΩ
Insulation resistance	> 2 GΩ
Standards/regulations	Valve connector EN 175301-803
Status display	Yellow LED
Protective circuit/component	Z diode
Surge voltage category	II
Pollution degree	3
Connection method	Screw connection
Conductor cross section	0.34 mm <sup>2</sup> ... 2.5 mm <sup>2</sup>
AWG conductor cross section	22 ... 13

### Material

Inflammability class according to UL 94	HB
Valve plug contact material	CuSn
Valve plug contact surface material	Ag
Valve plug contact insert material	PBT

# Valve connectors - SACC-V-3CON-PG9/A-1L-S - 1671137

## Technical data

### Material

Material housing valve plug	PA
-----------------------------	----

## classifications

### eCl@ss

eCl@ss 4.0	27140815
eCl@ss 4.1	27140815
eCl@ss 5.0	27143423
eCl@ss 5.1	27143423
eCl@ss 6.0	27143423
eCl@ss 7.0	27449001
eCl@ss 8.0	27449001

### ETIM

ETIM 2.0	EC001121
ETIM 3.0	EC002062
ETIM 4.0	EC002062
ETIM 5.0	EC002062

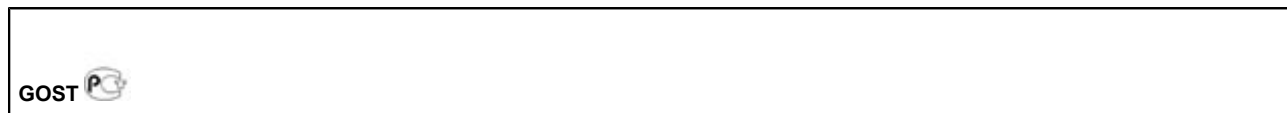
### UNSPSC

UNSPSC 6.01	31251501
UNSPSC 7.0901	31251501
UNSPSC 11	31251501
UNSPSC 12.01	31251501
UNSPSC 13.2	31251501

## approvals

GOST / GOST /

### Approval details



## accessories

### Cable by the meter

# Valve connectors - SACC-V-3CON-PG9/A-1L-S - 1671137

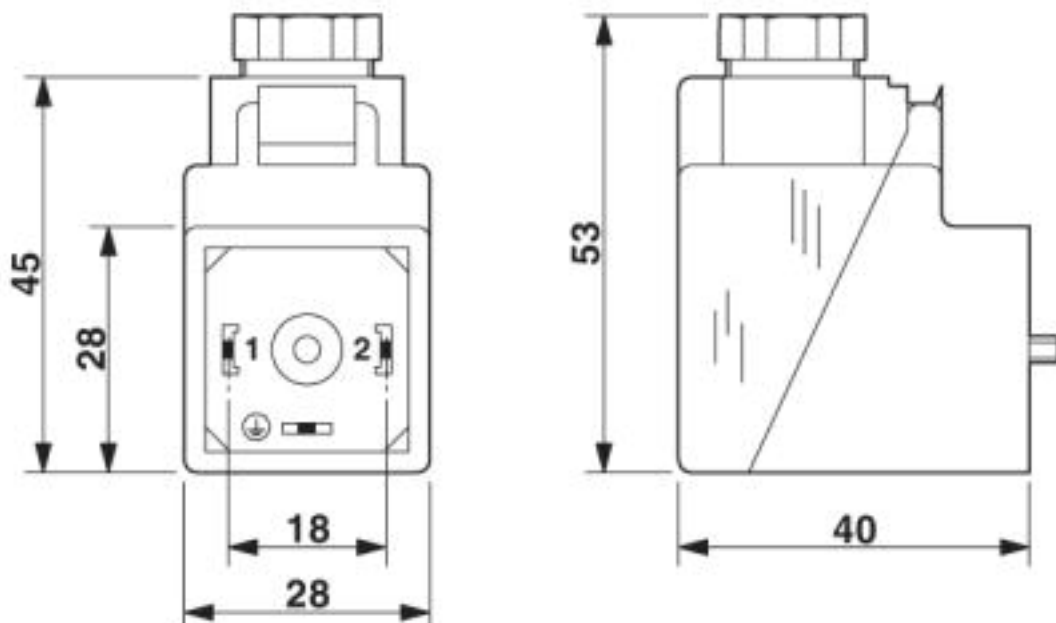
accessories

SAC-3P-100,0-PUR/0,5 - 1457393



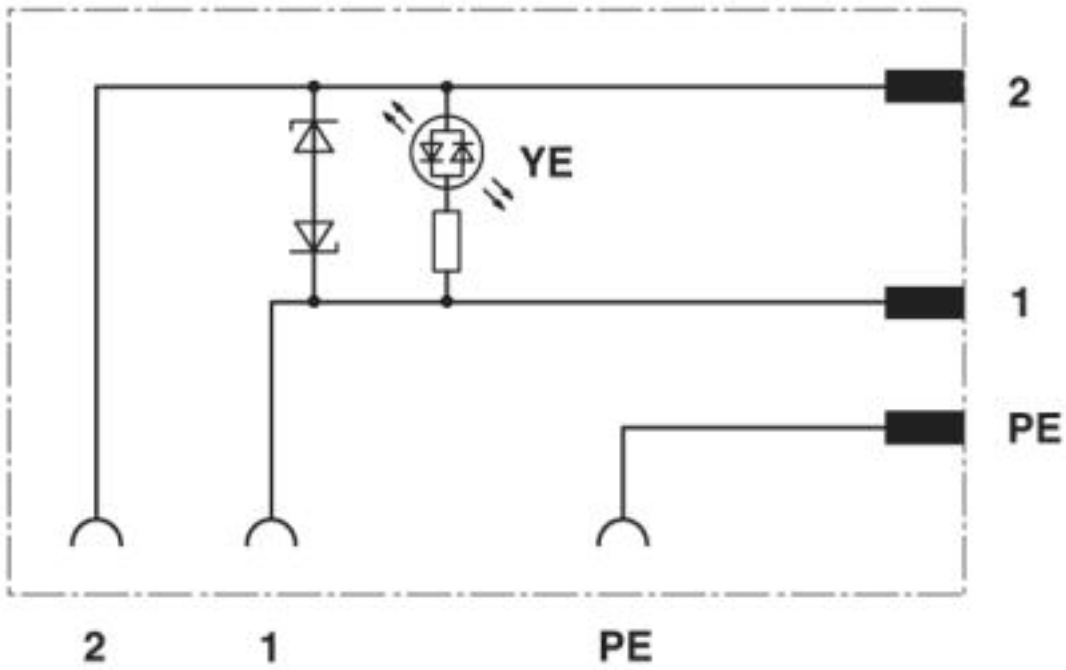
## Drawings

Dimensioned drawing



# Valve connectors - SACC-V-3CON-PG9/A-1L-S - 1671137

Circuit diagram



© Phoenix Contact 2013 - all rights reserved  
<http://www.phoenixcontact.com>