

D-SUB panel mounting frames - VS-15-A - 1688036

Please be informed that the data shown in this PDF Document is generated from our Online Catalog. Please find the complete data in the user's documentation. Our General Terms of Use for Downloads are valid (<http://download.phoenixcontact.com>)



D-SUB panel mounting frame, shell size 2, IP67 degree of protection

Key commercial data

package_quantity	5
GTIN	4017918179694

Technical data

Dimensions

Height	16.8 mm
---------------	---------

Ambient conditions

Degree of protection	IP67
Ambient temperature (operation)	-40 °C ... 80 °C

General

Design	D-SUB 15
Degree of protection	IP67
Inflammability class according to UL 94	V0
Housing material	PA
Seal material	Flat gasket: NBR; profile gasket: EPDM
Ambient temperature (operation)	-40 °C ... 80 °C

classifications

eCl@ss

eCl@ss 4.0	27140816
eCl@ss 4.1	27260701
eCl@ss 5.0	27260701
eCl@ss 5.1	27260701
eCl@ss 6.0	27261203
eCl@ss 7.0	27440201
eCl@ss 8.0	27440201

ETIM

ETIM 2.0	EC000437
-----------------	----------

D-SUB panel mounting frames - VS-15-A - 1688036

classifications

ETIM

ETIM 3.0	EC000437
ETIM 4.0	EC000437
ETIM 5.0	EC002310

UNSPSC

UNSPSC 6.01	31261501
UNSPSC 7.0901	31261501
UNSPSC 11	31261501
UNSPSC 12.01	31261501
UNSPSC 13.2	31261501

accessories

Protective cover

VS-15-SD - 1887099



Shroud

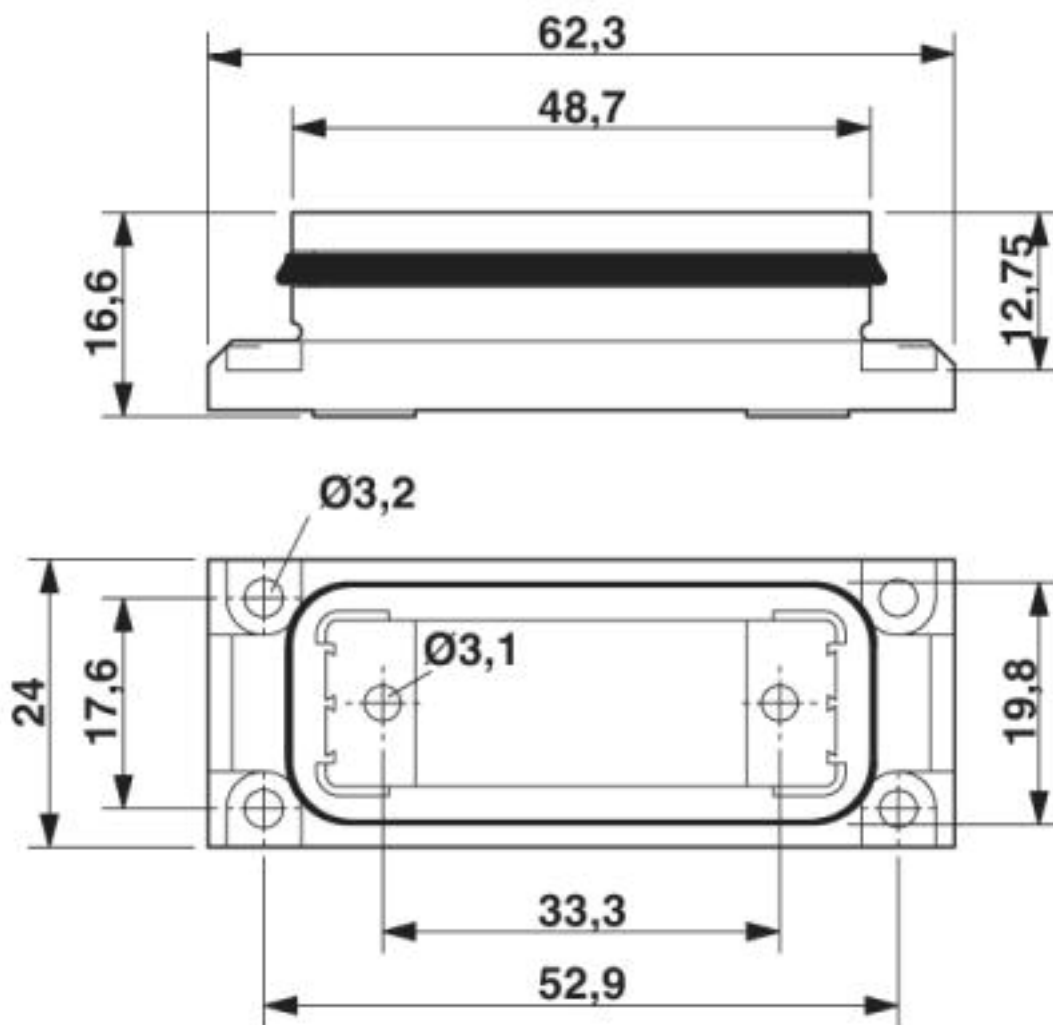
VS-15-A-EMV-S - 1688049



Drawings

D-SUB panel mounting frames - VS-15-A - 1688036

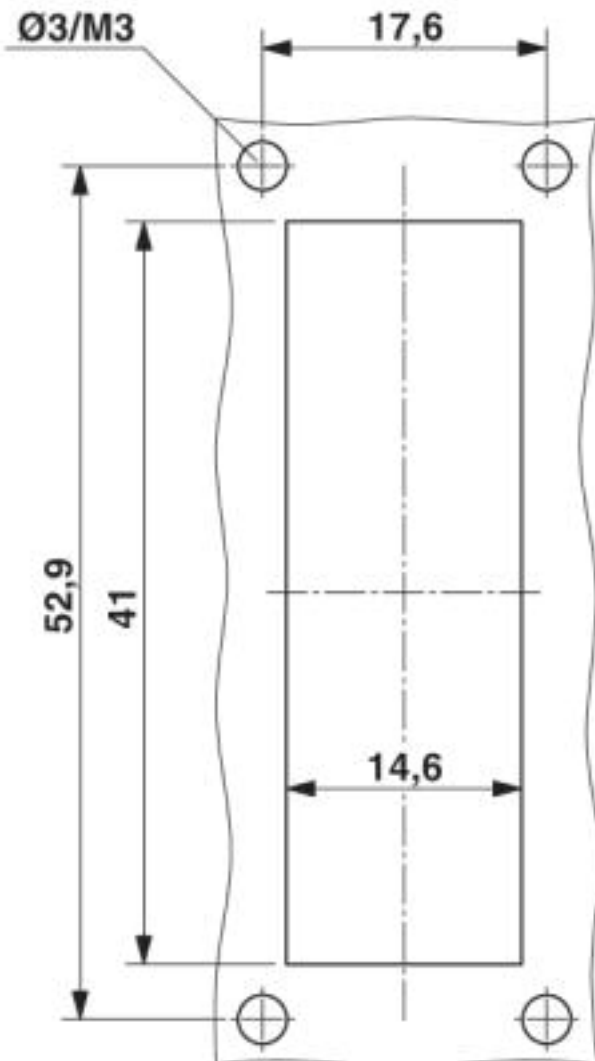
Dimensioned drawing



D-SUB panel mounting frame

D-SUB panel mounting frames - VS-15-A - 1688036

Dimensioned drawing



Panel cutout

© Phoenix Contact 2013 - all rights reserved
<http://www.phoenixcontact.com>