

# Contact insert - VS-09-BU-DSUB-EG - 1688803

Please be informed that the data shown in this PDF Document is generated from our Online Catalog. Please find the complete data in the user's documentation. Our General Terms of Use for Downloads are valid (<http://download.phoenixcontact.com>)



D-SUB contact insert, shell size 1, with nine signal contacts, contact type socket, with solder cup, straight, fixing with a 3 mm hole, for panel mounting frame and sleeve housing VS-09-...

## Key commercial data

<b>package_quantity</b>	10
<b>GTIN</b>	4017918822934

## Technical data

### Mechanical characteristics

<b>Number of positions</b>	9
<b>Connection profile</b>	D-SUB 9
<b>Insertion/withdrawal cycles</b>	≥ 200
<b>Connection method</b>	Solder cup
<b>Conductor cross section</b>	0.5 mm <sup>2</sup>
<b>Connection cross section AWG</b>	20
<b>Insertion force per signal contact</b>	≤ 3.40 N

### Ambient conditions

<b>Ambient temperature (operation)</b>	-55 °C ... 125 °C
--	-------------------

### Material data

<b>Inflammability class according to UL 94</b>	V0
<b>Housing material</b>	Steel, yellow chromated
<b>Contact carrier material</b>	Polyester GF
<b>Contact material</b>	Copper alloy
<b>Contact surface material</b>	Hard gold-plated over nickel

### Electrical characteristics

<b>Rated voltage (III/3)</b>	125 V
<b>Rated surge voltage</b>	1 kV
<b>Rated current</b>	5 A

## classifications

eCl@ss

<b>eCl@ss 4.0</b>	27140816
-------------------	----------

# Contact insert - VS-09-BU-DSUB-EG - 1688803

## classifications

### eCl@ss

eCl@ss 4.1	27260701
eCl@ss 5.0	27260701
eCl@ss 5.1	27260701
eCl@ss 6.0	27260705
eCl@ss 7.0	27440309
eCl@ss 8.0	27440309

### ETIM

ETIM 2.0	EC000438
ETIM 3.0	EC000438
ETIM 4.0	EC000438
ETIM 5.0	EC000438

### UNSPSC

UNSPSC 6.01	30211923
UNSPSC 7.0901	39121522
UNSPSC 11	39121522
UNSPSC 12.01	39121522
UNSPSC 13.2	39121522

## approvals

GOST /

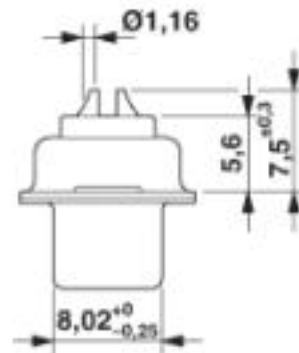
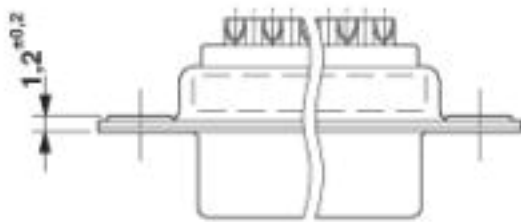
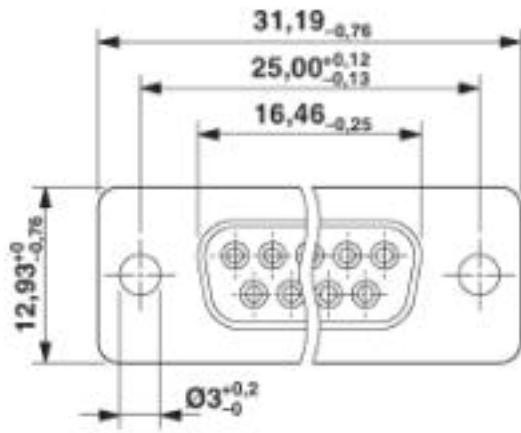
### Approval details



## Drawings

# Contact insert - VS-09-BU-DSUB-EG - 1688803

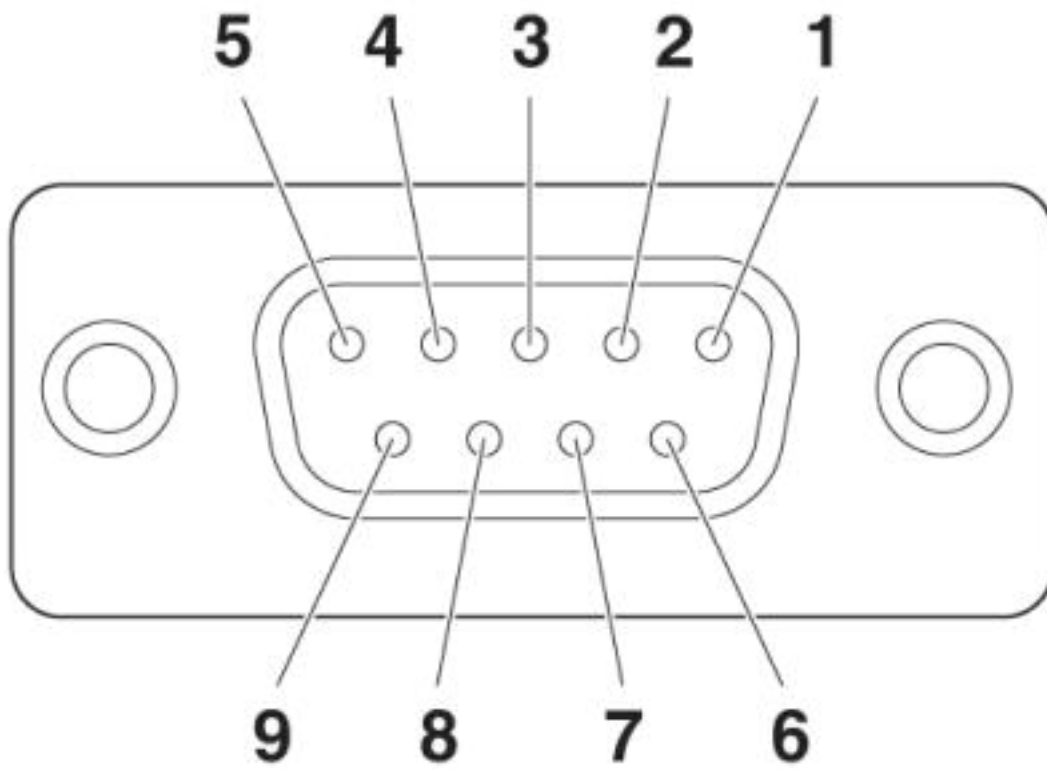
Dimensioned drawing



D-SUB contact insert

## Contact insert - VS-09-BU-DSUB-EG - 1688803

Schematic diagram



© Phoenix Contact 2013 - all rights reserved  
<http://www.phoenixcontact.com>