

Sleeve housing - VS-08-T-RJ45/IP67-SET - 1689475

Please be informed that the data shown in this PDF Document is generated from our Online Catalog. Please find the complete data in the user's documentation. Our General Terms of Use for Downloads are valid (<http://download.phoenixcontact.com>)



RJ45 sleeve housing, IP67, with push-pull interlocking for panel mounting frames, for cable cross section 5.0 mm ... 6.5 mm, with pin insert VS-08-ST-RJ45, CAT5e, for litz wires AWG 26 and solid wires AWG 26 ... 24

Ethernet

Key commercial data

package_quantity	5
GTIN	4017918887308

classifications

eCl@ss

eCl@ss 4.0	27140816
eCl@ss 4.1	27260701
eCl@ss 5.0	27260701
eCl@ss 5.1	27260701
eCl@ss 6.0	27260705
eCl@ss 7.0	27440309
eCl@ss 8.0	27440309

ETIM

ETIM 2.0	EC000764
ETIM 3.0	EC001121
ETIM 4.0	EC001121
ETIM 5.0	EC002641

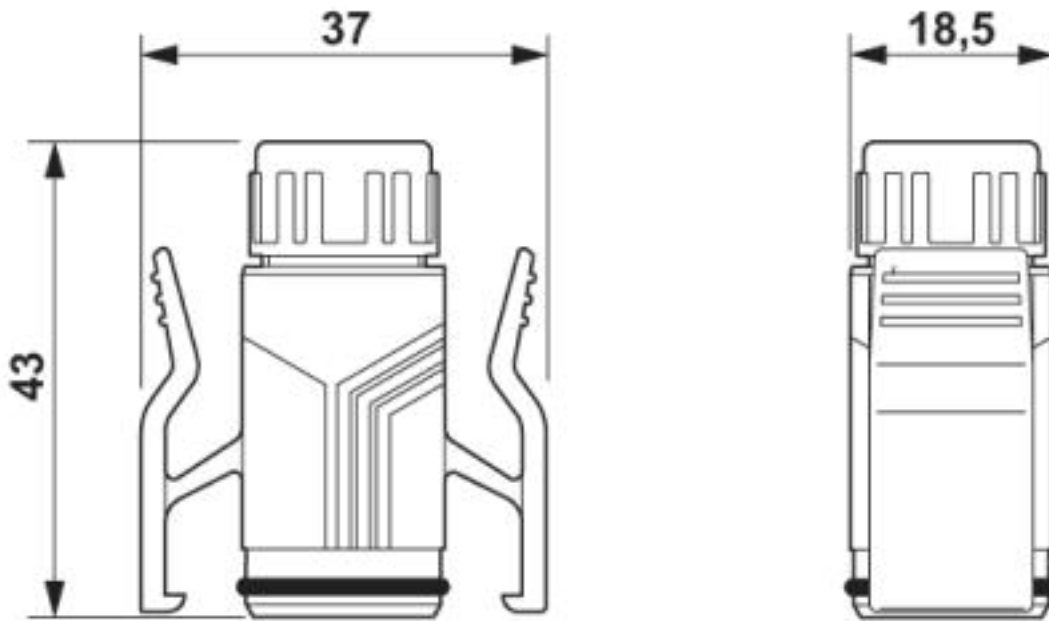
UNSPSC

UNSPSC 6.01	31261501
UNSPSC 7.0901	31261501
UNSPSC 11	31261501
UNSPSC 12.01	31261501
UNSPSC 13.2	31261501

Drawings

Sleeve housing - VS-08-T-RJ45/IP67-SET - 1689475

Dimensioned drawing



RJ45 sleeve housing IP67

© Phoenix Contact 2013 - all rights reserved
<http://www.phoenixcontact.com>