

Printed-circuit board connector - DFK-PC 16/ 4-ST-10,16 - 1703399

Please be informed that the data shown in this PDF Document is generated from our Online Catalog. Please find the complete data in the user's documentation. Our General Terms of Use for Downloads are valid (<http://download.phoenixcontact.com>)



Plug component, Nominal current: 76 A, Rated voltage (III/2): 1000 V, Number of positions: 4, Pitch: 10.16 mm, Connection method: Screw connection, Color: green, Contact surface: Silver

The figure shows a 5-pos. version of the product

Product Features

- Panel thickness of 1 mm to 3 mm
- Screw connection on the inside of the device
- Feed-through headers for use in combination with PC 16 plugs
- Mounted on the housing panel by means of tool-free snap-lock mechanism or conventional screw connection

Key commercial data

package_quantity	10
GTIN	4017918994310

Technical data

Dimensions

Pitch	10.16 mm
Dimension a	30.48 mm

General

Range of articles	DFK-PC 16/..-ST
Insulating material group	I
Rated surge voltage (III/3)	8 kV
Rated surge voltage (III/2)	8 kV
Rated surge voltage (II/2)	6 kV
Rated voltage (III/3)	1000 V
Rated voltage (III/2)	1000 V
Rated voltage (II/2)	1000 V
Connection in acc. with standard	EN-VDE
Nominal current I _N	76 A
Nominal cross section	16 mm ²
Maximum load current	76 A
Insulating material	PA
Inflammability class according to UL 94	V0
Internal cylindrical gage	A6

Printed-circuit board connector - DFK-PC 16/ 4-ST-10,16 - 1703399

Technical data

General

Stripping length	12 mm
Number of positions	4
Screw thread	M4
Tightening torque, min	1.7 Nm
Tightening torque max	1.8 Nm

Connection data

Conductor cross section solid min.	0.75 mm ²
Conductor cross section solid max.	16 mm ²
Conductor cross section stranded min.	0.75 mm ²
Conductor cross section stranded max.	16 mm ²
Conductor cross section stranded, with ferrule without plastic sleeve min.	0.5 mm ²
Conductor cross section stranded, with ferrule without plastic sleeve max.	16 mm ² Only in connection with CRIMPFOX 16 S
Conductor cross section stranded, with ferrule with plastic sleeve min.	0.5 mm ²
Conductor cross section stranded, with ferrule with plastic sleeve max.	16 mm ² Only in connection with CRIMPFOX 16 S
Conductor cross section AWG/kcmil min.	18
Conductor cross section AWG/kcmil max	6
2 conductors with same cross section, solid min.	0.75 mm ²
2 conductors with same cross section, solid max.	6 mm ²
2 conductors with same cross section, stranded min.	0.75 mm ²
2 conductors with same cross section, stranded max.	6 mm ²
2 conductors with same cross section, stranded, ferrules without plastic sleeve, min.	0.5 mm ²
2 conductors with same cross section, stranded, ferrules without plastic sleeve, max.	4 mm ²
2 conductors with same cross section, stranded, TWIN ferrules with plastic sleeve, min.	0.5 mm ²
2 conductors with same cross section, stranded, TWIN ferrules with plastic sleeve, max.	6 mm ²
Minimum AWG according to UL/CUL	20
Maximum AWG according to UL/CUL	6

classifications

eCl@ss

eCl@ss 4.0	272607xx
eCl@ss 4.1	27260701
eCl@ss 5.0	27260701
eCl@ss 5.1	27141190
eCl@ss 6.0	27260704
eCl@ss 7.0	27440402

Printed-circuit board connector - DFK-PC 16/ 4-ST-10,16 - 1703399

classifications

eCl@ss

eCl@ss 8.0	27440402
------------	----------

ETIM

ETIM 3.0	EC001121
ETIM 4.0	EC002638
ETIM 5.0	EC002638


UNSPSC

UNSPSC 6.01	30211810
UNSPSC 7.0901	39121409
UNSPSC 11	39121409
UNSPSC 12.01	39121409
UNSPSC 13.2	39121409


approvals

UL Recognized / SEV / cUL Recognized / CCA / IECCEB CB Scheme / GOST / GOST / cULus Recognized /

Approval details

UL Recognized 		
Usegroups	B	C
Nominal voltage UN	600 V	600 V
Nominal current IN	55 A	55 A
mm ² /AWG/kcmil	20-6	20-6


SEV	
Nominal voltage UN	1000 V
Nominal current IN	76 A
mm ² /AWG/kcmil	16

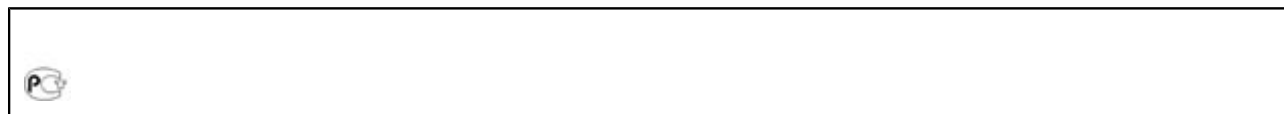
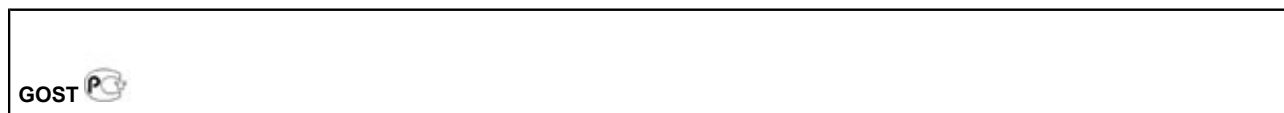
cUL Recognized 		
Usegroups	B	C
Nominal voltage UN	600 V	600 V
Nominal current IN	55 A	55 A
mm ² /AWG/kcmil	20-6	20-6

Printed-circuit board connector - DFK-PC 16/ 4-ST-10,16 - 1703399

approvals

CCA	
Nominal voltage UN	1000 V
Nominal current IN	76 A
mm ² /AWG/kcmil	

IECEE CB Scheme 	
Nominal voltage UN	1000 V
Nominal current IN	76 A
mm ² /AWG/kcmil	



accessories

Coding element

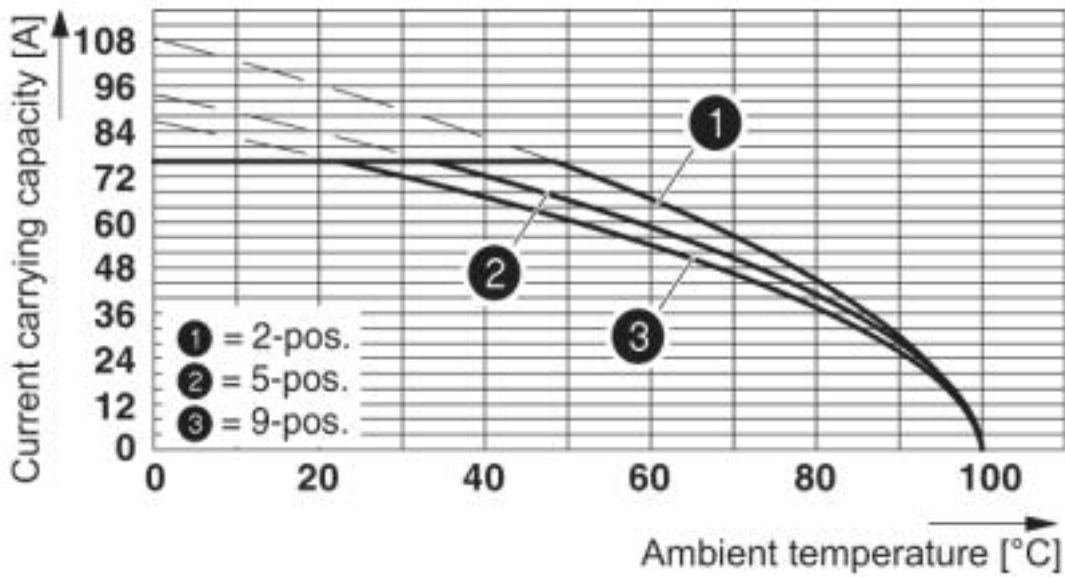
CP-PC RD - 1701967



Drawings

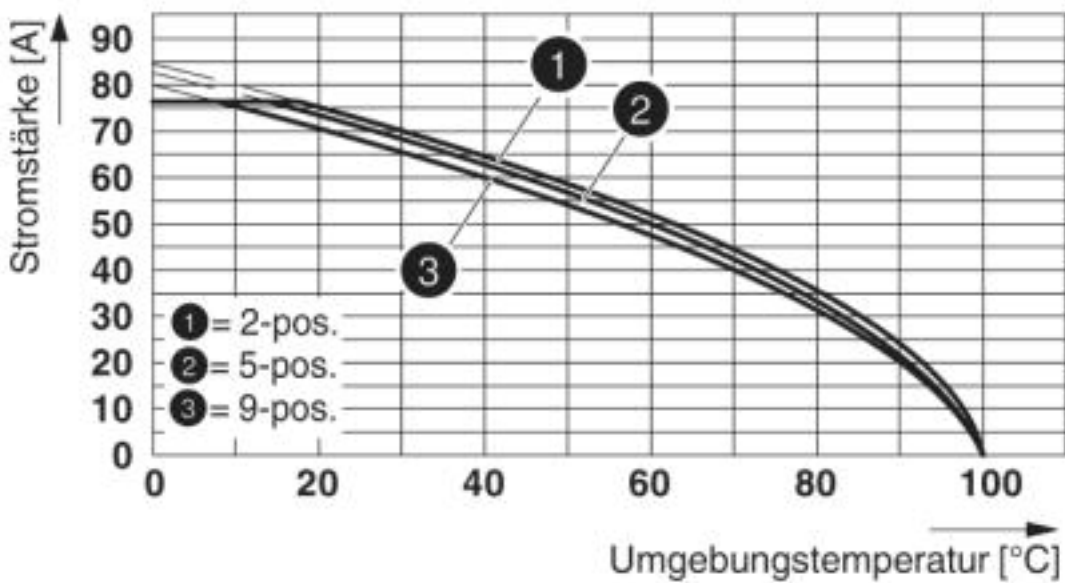
Printed-circuit board connector - DFK-PC 16/ 4-ST-10,16 - 1703399

Diagram



Derating curve for: PC 16/...-ST-10.16 with DFK-PC 16/...-ST-10.16

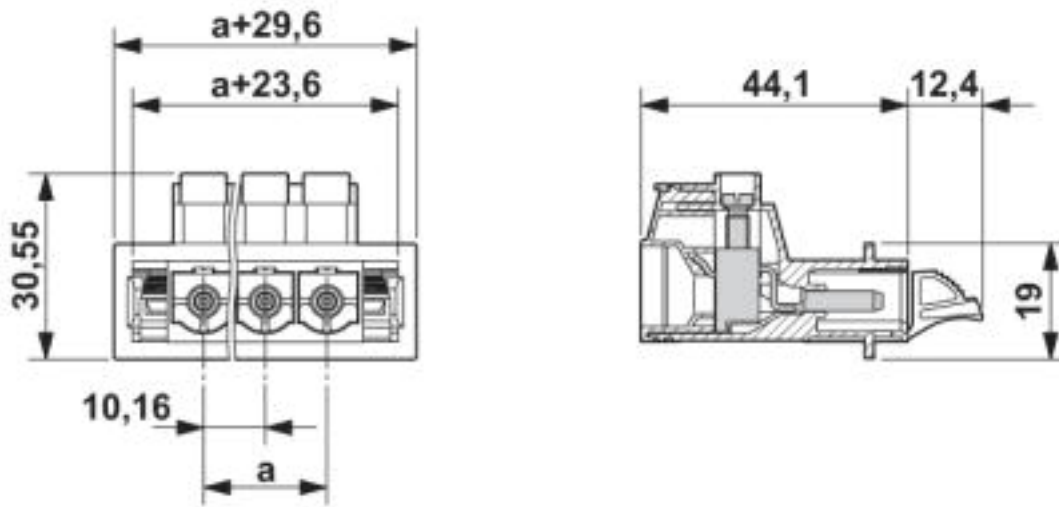
Diagram



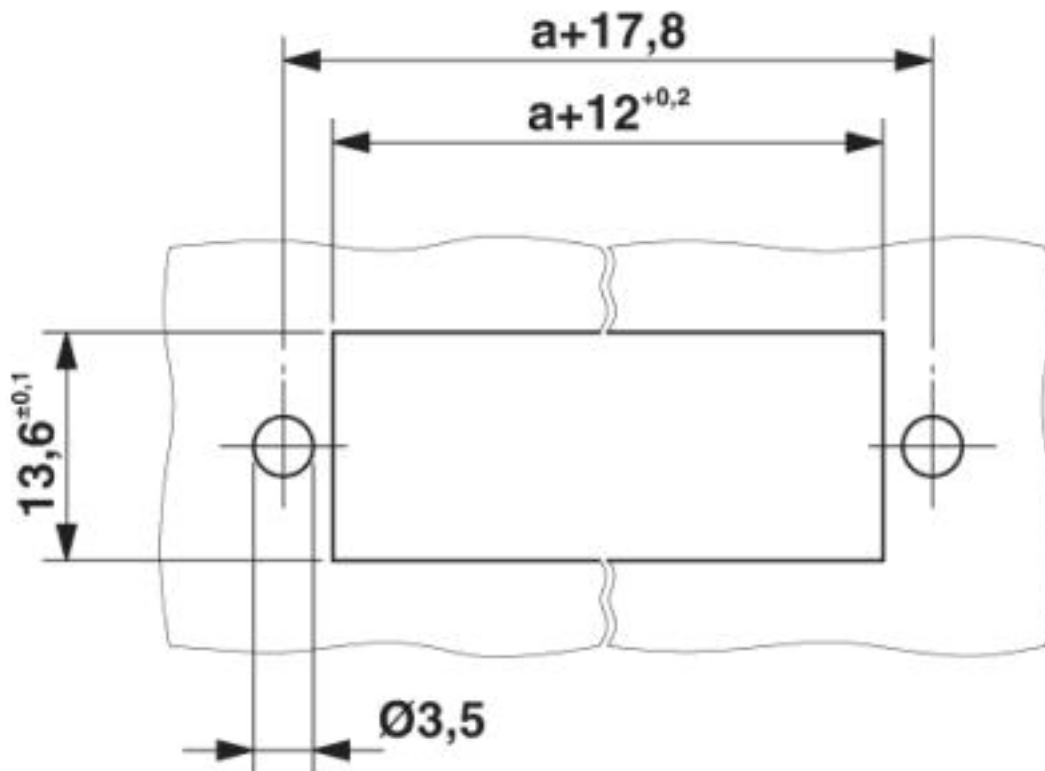
Type: SPC 16/...-ST(F)-10,16 with DFK-PC 16/...-ST(F)-10,16

Printed-circuit board connector - DFK-PC 16/ 4-ST-10,16 - 1703399

Dimensioned drawing



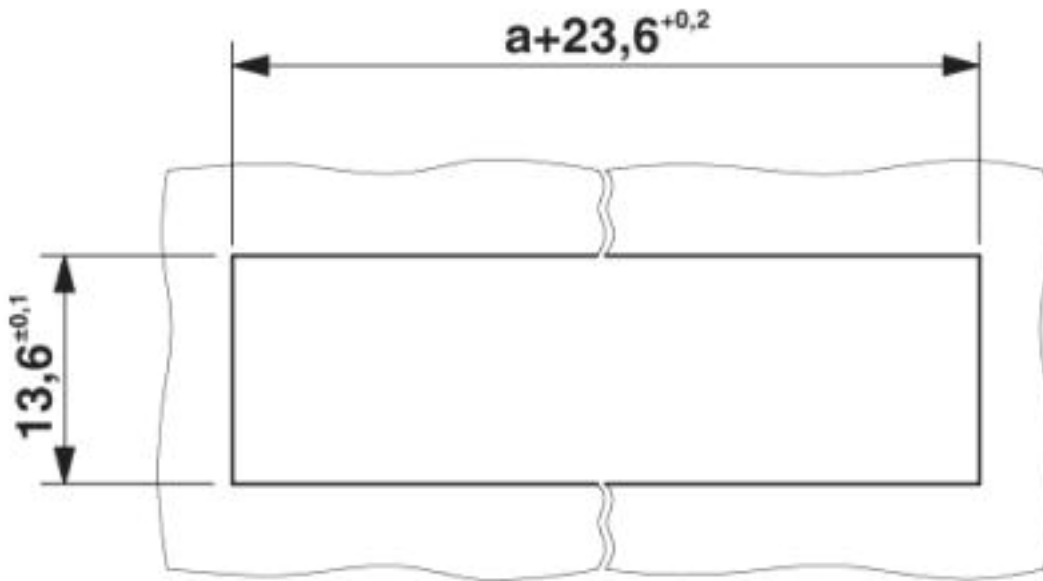
Dimensioned drawing



Sheet metal cutout for screw connection.

Printed-circuit board connector - DFK-PC 16/ 4-ST-10,16 - 1703399

Dimensioned drawing



Sheet metal cutout for snap-on.

© Phoenix Contact 2013 - all rights reserved
<http://www.phoenixcontact.com>