

# Printed-circuit board connector - DFK-PC 16/ 5-STF-10,16 - 1703483

Please be informed that the data shown in this PDF Document is generated from our Online Catalog. Please find the complete data in the user's documentation. Our General Terms of Use for Downloads are valid (<http://download.phoenixcontact.com>)



Plug component, Nominal current: 76 A, Rated voltage (III/2): 1000 V, Number of positions: 5, Pitch: 10.16 mm, Connection method: Screw connection, Color: green, Contact surface: Silver

## Product Features

- Screw connection on the inside of the device
- Panel thickness of 1 mm to 3 mm
- Mounted on the housing panel by means of tool-free snap-lock mechanism or conventional screw connection
- Feed-through headers for use in combination with PC 16 plugs

## Key commercial data

<b>package_quantity</b>	10
<b>GTIN</b>	4017918994402

## Technical data

### Dimensions

<b>Pitch</b>	10.16 mm
<b>Dimension a</b>	40.64 mm

### General

<b>Range of articles</b>	DFK-PC 16/..-ST
<b>Insulating material group</b>	I
<b>Rated surge voltage (III/3)</b>	8 kV
<b>Rated surge voltage (III/2)</b>	8 kV
<b>Rated surge voltage (II/2)</b>	6 kV
<b>Rated voltage (III/3)</b>	1000 V
<b>Rated voltage (III/2)</b>	1000 V
<b>Rated voltage (II/2)</b>	1000 V
<b>Connection in acc. with standard</b>	EN-VDE
<b>Nominal current I<sub>N</sub></b>	76 A
<b>Nominal cross section</b>	16 mm <sup>2</sup>
<b>Maximum load current</b>	76 A
<b>Insulating material</b>	PA
<b>Inflammability class according to UL 94</b>	V0
<b>Internal cylindrical gage</b>	A6

# Printed-circuit board connector - DFK-PC 16/ 5-STF-10,16 - 1703483

## Technical data

### General

<b>Stripping length</b>	12 mm
<b>Number of positions</b>	5
<b>Screw thread</b>	M4
<b>Tightening torque, min</b>	1.7 Nm
<b>Tightening torque max</b>	1.8 Nm

### Connection data

<b>Conductor cross section solid min.</b>	0.75 mm <sup>2</sup>
<b>Conductor cross section solid max.</b>	16 mm <sup>2</sup>
<b>Conductor cross section stranded min.</b>	0.75 mm <sup>2</sup>
<b>Conductor cross section stranded max.</b>	16 mm <sup>2</sup>
<b>Conductor cross section stranded, with ferrule without plastic sleeve min.</b>	0.5 mm <sup>2</sup>
<b>Conductor cross section stranded, with ferrule without plastic sleeve max.</b>	16 mm <sup>2</sup> Only in connection with CRIMPFOX 16 S
<b>Conductor cross section stranded, with ferrule with plastic sleeve min.</b>	0.5 mm <sup>2</sup>
<b>Conductor cross section stranded, with ferrule with plastic sleeve max.</b>	16 mm <sup>2</sup> Only in connection with CRIMPFOX 16 S
<b>Conductor cross section AWG/kcmil min.</b>	18
<b>Conductor cross section AWG/kcmil max</b>	6
<b>2 conductors with same cross section, solid min.</b>	0.75 mm <sup>2</sup>
<b>2 conductors with same cross section, solid max.</b>	6 mm <sup>2</sup>
<b>2 conductors with same cross section, stranded min.</b>	0.75 mm <sup>2</sup>
<b>2 conductors with same cross section, stranded max.</b>	6 mm <sup>2</sup>
<b>2 conductors with same cross section, stranded, ferrules without plastic sleeve, min.</b>	0.5 mm <sup>2</sup>
<b>2 conductors with same cross section, stranded, ferrules without plastic sleeve, max.</b>	4 mm <sup>2</sup>
<b>2 conductors with same cross section, stranded, TWIN ferrules with plastic sleeve, min.</b>	0.5 mm <sup>2</sup>
<b>2 conductors with same cross section, stranded, TWIN ferrules with plastic sleeve, max.</b>	6 mm <sup>2</sup>
<b>Minimum AWG according to UL/CUL</b>	20
<b>Maximum AWG according to UL/CUL</b>	6

## classifications

### eCl@ss

<b>eCl@ss 4.0</b>	272607xx
<b>eCl@ss 4.1</b>	27260701
<b>eCl@ss 5.0</b>	27260701
<b>eCl@ss 5.1</b>	27141190

# Printed-circuit board connector - DFK-PC 16/ 5-STF-10,16 - 1703483

## classifications

### eCl@ss

eCl@ss 6.0	27260704
eCl@ss 7.0	27440402
eCl@ss 8.0	27440402

### ETIM

ETIM 3.0	EC001121
ETIM 4.0	EC002638
ETIM 5.0	EC002638


### UNSPSC

UNSPSC 6.01	30211810
UNSPSC 7.0901	39121409
UNSPSC 11	39121409
UNSPSC 12.01	39121409
UNSPSC 13.2	39121409


## approvals

UL Recognized / SEV / cUL Recognized / CCA / IECCEB Scheme / GOST / GOST / cULus Recognized /

### Approval details

<b>UL Recognized</b> 		
Usegroups	B	C
Nominal voltage UN	600 V	600 V
Nominal current IN	55 A	55 A
mm <sup>2</sup> /AWG/kcmil	20-6	20-6

<b>SEV</b>	
Nominal voltage UN	1000 V
Nominal current IN	76 A
mm <sup>2</sup> /AWG/kcmil	16

<b>cUL Recognized</b> 		
Usegroups	B	C
Nominal voltage UN	600 V	600 V

# Printed-circuit board connector - DFK-PC 16/ 5-STF-10,16 - 1703483

## approvals

Usegroups	B	C
Nominal current I <sub>N</sub>	55 A	55 A
mm <sup>2</sup> /AWG/kcmil	20-6	20-6

CCA	
Nominal voltage U <sub>N</sub>	1000 V
Nominal current I <sub>N</sub>	76 A
mm <sup>2</sup> /AWG/kcmil	

IECEE CB Scheme	
Nominal voltage U <sub>N</sub>	1000 V
Nominal current I <sub>N</sub>	76 A
mm <sup>2</sup> /AWG/kcmil	

GOST	



cULus Recognized	

## accessories

### Coding element

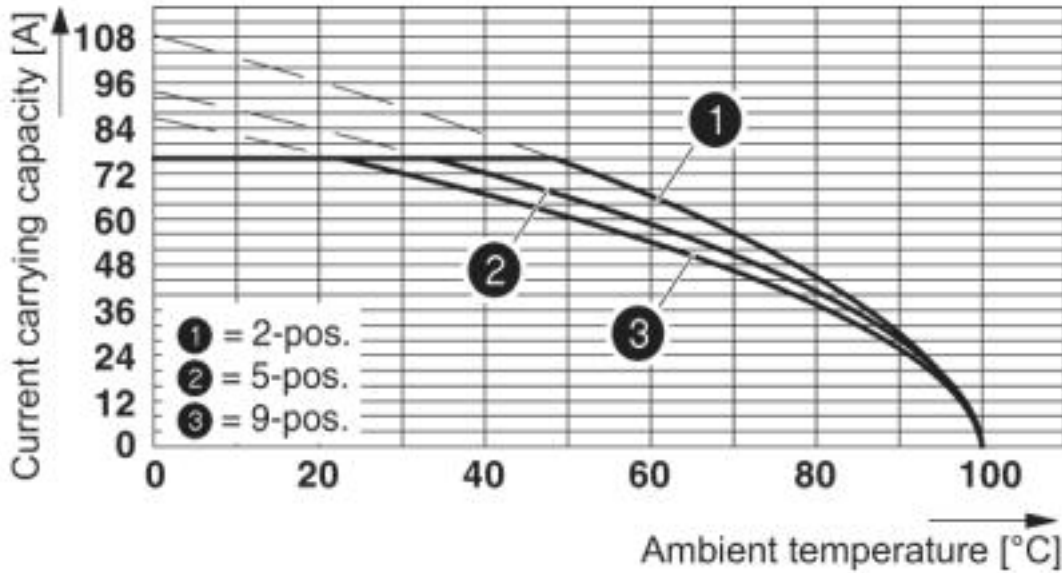
CP-PC RD - 1701967



## Drawings

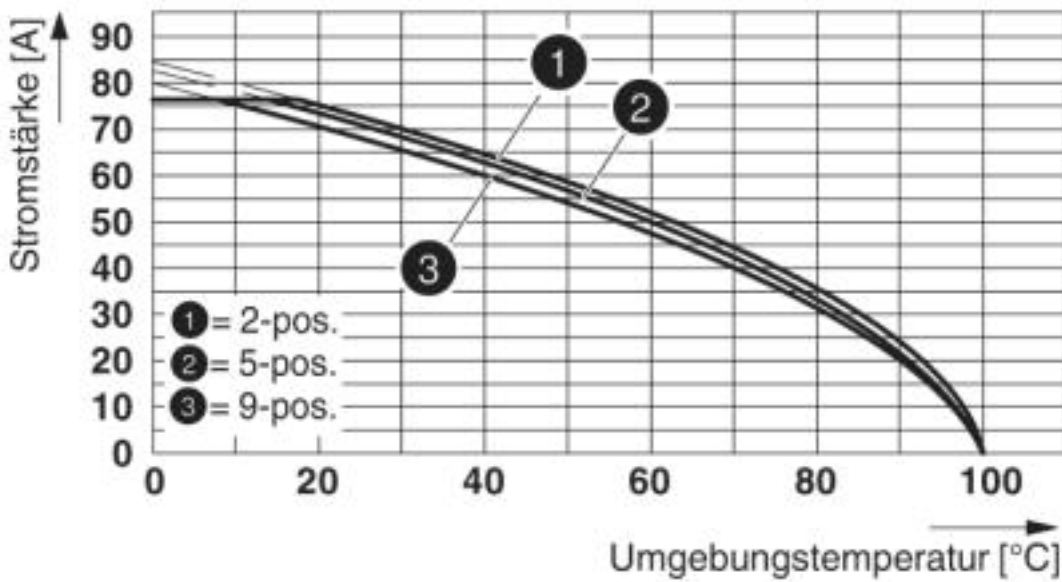
# Printed-circuit board connector - DFK-PC 16/ 5-STF-10,16 - 1703483

Diagram



Derating curve for: PC 16/...-ST-10.16 with DFK-PC 16/...-ST-10.16

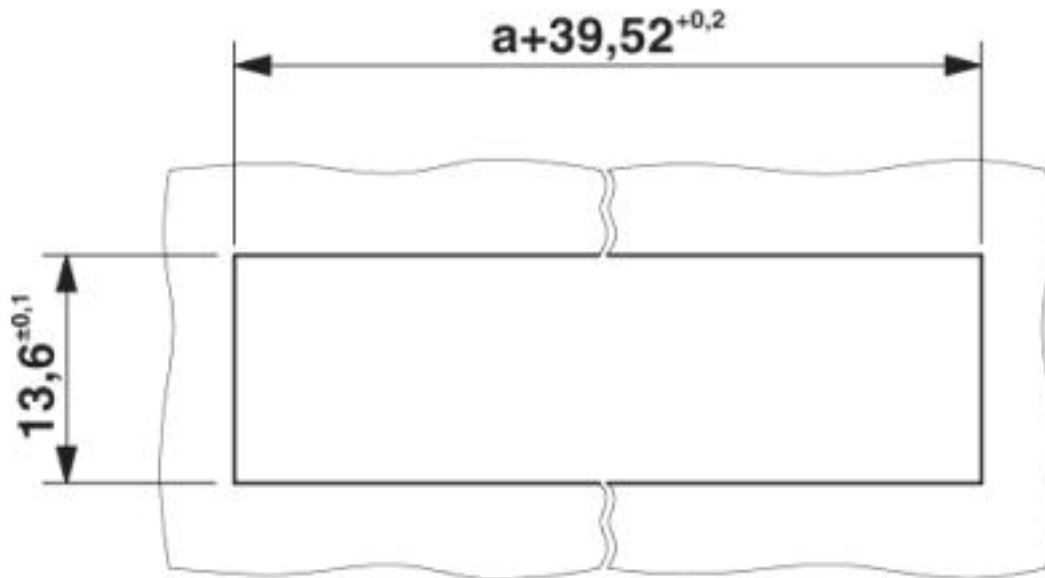
Diagram



Type: SPC 16/...-ST(F)-10,16 with DFK-PC 16/...-ST(F)-10,16

# Printed-circuit board connector - DFK-PC 16/ 5-STF-10,16 - 1703483

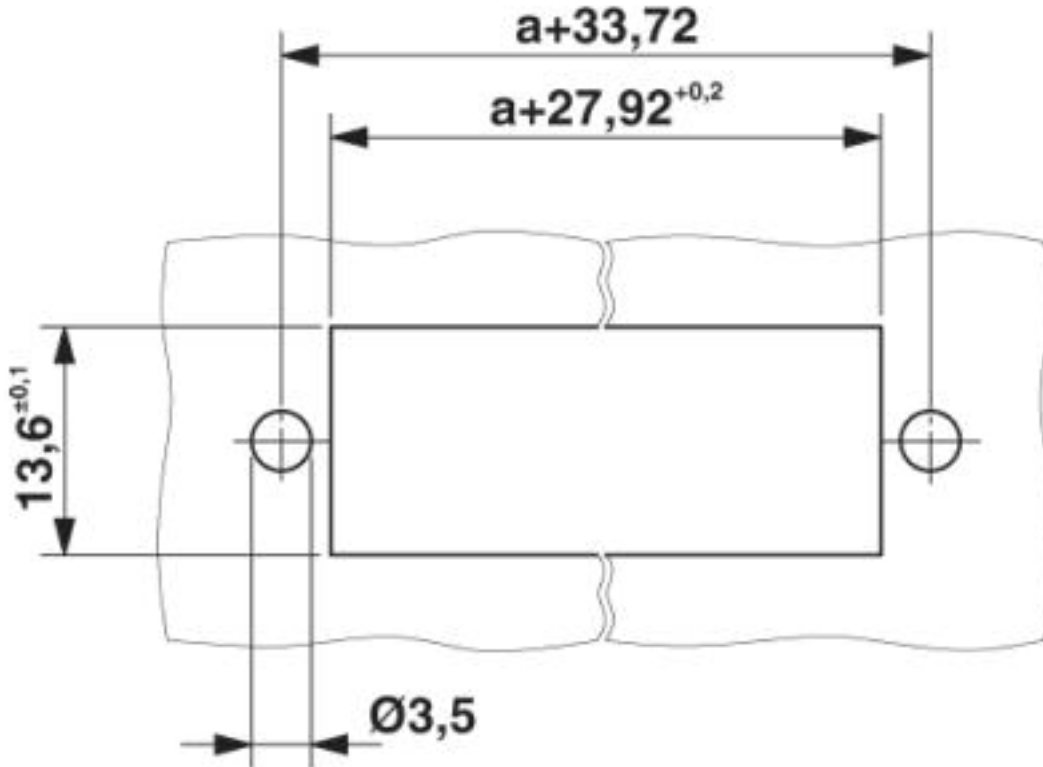
Dimensioned drawing



Sheet metal cutout for snap-on.

# Printed-circuit board connector - DFK-PC 16/ 5-STF-10,16 - 1703483

Dimensioned drawing



Sheet metal cutout for screw connection.

Dimensioned drawing

