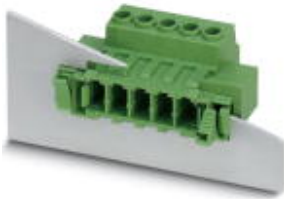


# Printed-circuit board connector - DFK-PC 5/ 2-ST-7,62 - 1716506

Please be informed that the data shown in this PDF Document is generated from our Online Catalog. Please find the complete data in the user's documentation. Our General Terms of Use for Downloads are valid (<http://download.phoenixcontact.com>)



Plug component, Nominal current: 41 A, Rated voltage (III/2): 1000 V, Number of positions: 2, Pitch: 7.62 mm, Connection method: Screw connection, Color: green, Contact surface: Tin

## Product Features

- Feed-through headers for use in combination with PC 5 plugs
- Panel thickness of 1 mm to 3 mm
- Mounted on the housing panel by means of tool-free snap-lock mechanism or conventional screw connection
- Screw connection for direct wiring on the inside of the device

## Key commercial data

package_quantity	10
GTIN	4046356137126

## Technical data

### Dimensions

Pitch	7.62 mm
Dimension a	7.62 mm

### General

Range of articles	DFK-PC 5/...-ST
Insulating material group	I
Rated surge voltage (III/3)	8 kV
Rated surge voltage (III/2)	8 kV
Rated surge voltage (II/2)	6 kV
Rated voltage (III/3)	1000 V
Rated voltage (III/2)	1000 V
Rated voltage (II/2)	1000 V
Connection in acc. with standard	EN-VDE
Nominal current I <sub>N</sub>	41 A
Nominal cross section	6 mm <sup>2</sup>
Maximum load current	41 A
Insulating material	PA
Inflammability class according to UL 94	V0
Stripping length	10 mm
Number of positions	2

# Printed-circuit board connector - DFK-PC 5/ 2-ST-7,62 - 1716506

## Technical data

### General

<b>Screw thread</b>	M3
<b>Tightening torque, min</b>	0.7 Nm
<b>Tightening torque max</b>	0.8 Nm

### Connection data

<b>Conductor cross section solid min.</b>	0.2 mm <sup>2</sup>
<b>Conductor cross section solid max.</b>	10 mm <sup>2</sup>
<b>Conductor cross section stranded min.</b>	0.2 mm <sup>2</sup>
<b>Conductor cross section stranded max.</b>	6 mm <sup>2</sup>
<b>Conductor cross section stranded, with ferrule without plastic sleeve min.</b>	0.25 mm <sup>2</sup>
<b>Conductor cross section stranded, with ferrule without plastic sleeve max.</b>	6 mm <sup>2</sup>
<b>Conductor cross section stranded, with ferrule with plastic sleeve min.</b>	0.25 mm <sup>2</sup>
<b>Conductor cross section stranded, with ferrule with plastic sleeve max.</b>	4 mm <sup>2</sup>
<b>Conductor cross section AWG/kcmil min.</b>	24
<b>Conductor cross section AWG/kcmil max</b>	10
<b>2 conductors with same cross section, solid min.</b>	0.2 mm <sup>2</sup>
<b>2 conductors with same cross section, solid max.</b>	2.5 mm <sup>2</sup>
<b>2 conductors with same cross section, stranded min.</b>	0.2 mm <sup>2</sup>
<b>2 conductors with same cross section, stranded max.</b>	4 mm <sup>2</sup>
<b>2 conductors with same cross section, stranded, ferrules without plastic sleeve, min.</b>	0.25 mm <sup>2</sup>
<b>2 conductors with same cross section, stranded, ferrules without plastic sleeve, max.</b>	1.5 mm <sup>2</sup>
<b>2 conductors with same cross section, stranded, TWIN ferrules with plastic sleeve, min.</b>	0.25 mm <sup>2</sup>
<b>2 conductors with same cross section, stranded, TWIN ferrules with plastic sleeve, max.</b>	2.5 mm <sup>2</sup>
<b>Minimum AWG according to UL/CUL</b>	24
<b>Maximum AWG according to UL/CUL</b>	8

## classifications

### eCl@ss

<b>eCl@ss 4.0</b>	272607xx
<b>eCl@ss 4.1</b>	27260701
<b>eCl@ss 5.0</b>	27260701
<b>eCl@ss 5.1</b>	27141190
<b>eCl@ss 6.0</b>	27260704
<b>eCl@ss 7.0</b>	27440402
<b>eCl@ss 8.0</b>	27440402

# Printed-circuit board connector - DFK-PC 5/ 2-ST-7,62 - 1716506

## classifications

### ETIM

<b>ETIM 3.0</b>	EC001121
<b>ETIM 4.0</b>	EC002638
<b>ETIM 5.0</b>	EC002638

### UNSPSC

<b>UNSPSC 6.01</b>	30211810
<b>UNSPSC 7.0901</b>	39121409
<b>UNSPSC 11</b>	39121409
<b>UNSPSC 12.01</b>	39121409
<b>UNSPSC 13.2</b>	39121409

## approvals

UL Recognized / cUL Recognized / GOST / GOST / cULus Recognized /

### Approval details

<b>UL Recognized</b>		
Usegroups	B	C
Nominal voltage UN	600 V	600 V
Nominal current IN	41 A	41 A
mm <sup>2</sup> /AWG/kcmil	24-8	24-8

<b>cUL Recognized</b>		
Usegroups	B	C
Nominal voltage UN	600 V	600 V
Nominal current IN	41 A	41 A
mm <sup>2</sup> /AWG/kcmil	24-8	24-8

<b>GOST</b>
-------------

--

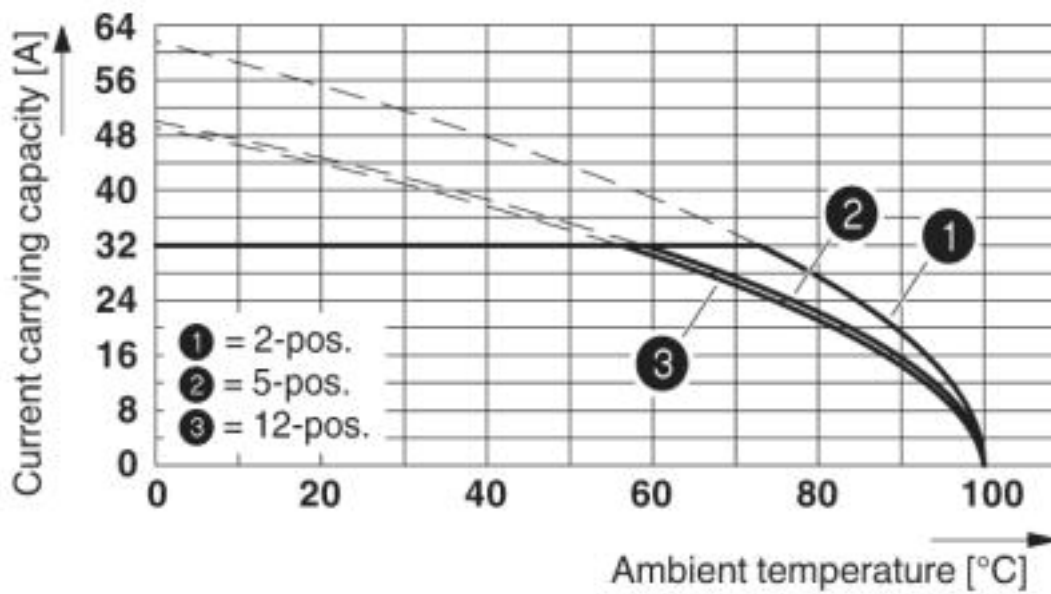
# Printed-circuit board connector - DFK-PC 5/ 2-ST-7,62 - 1716506

approvals



Drawings

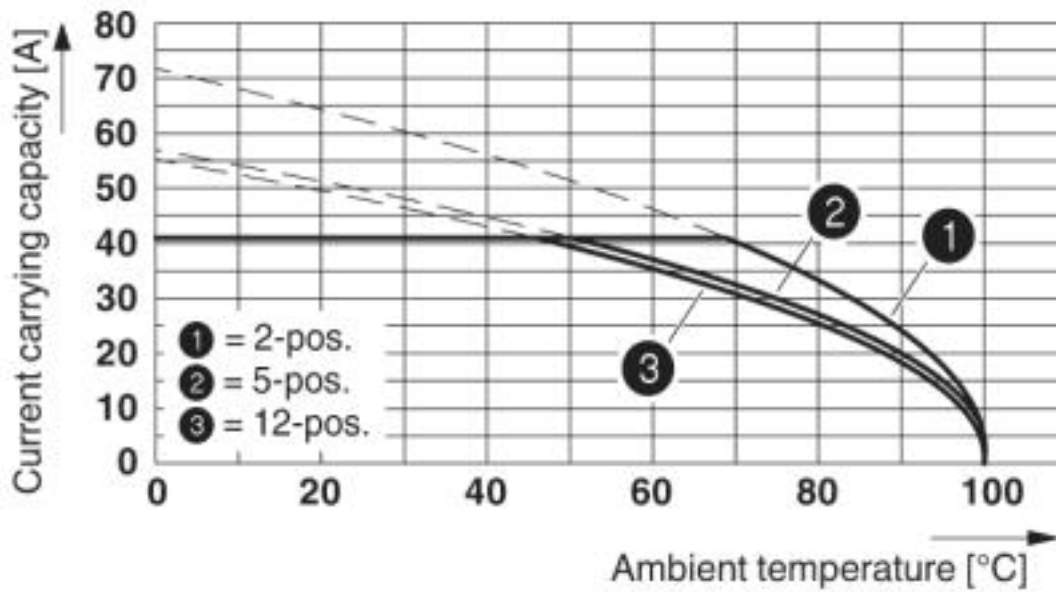
Diagram



Derating curve for: DFK-PC 5/...-ST-7,62 with PC 5/...-ST-7,62 Conductor cross section = 6 mm<sup>2</sup>

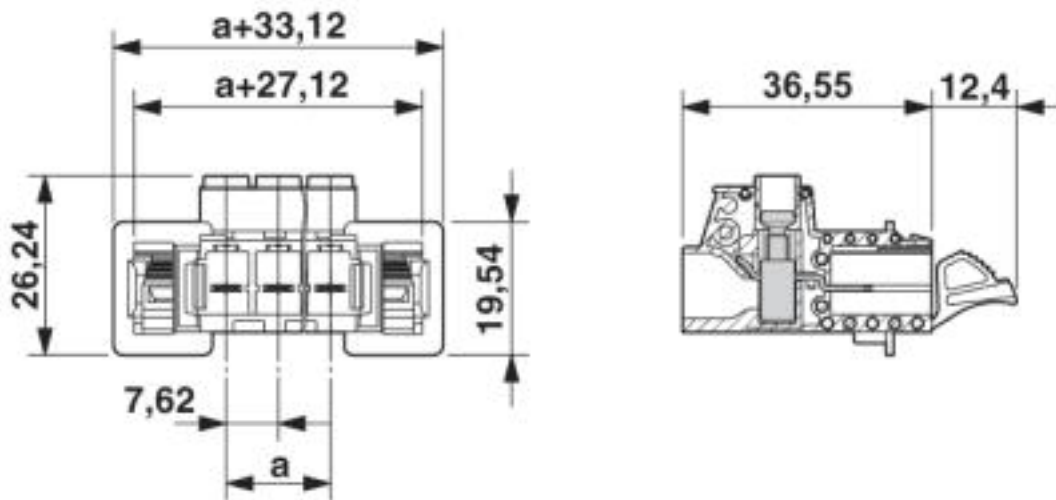
# Printed-circuit board connector - DFK-PC 5/ 2-ST-7,62 - 1716506

Diagram



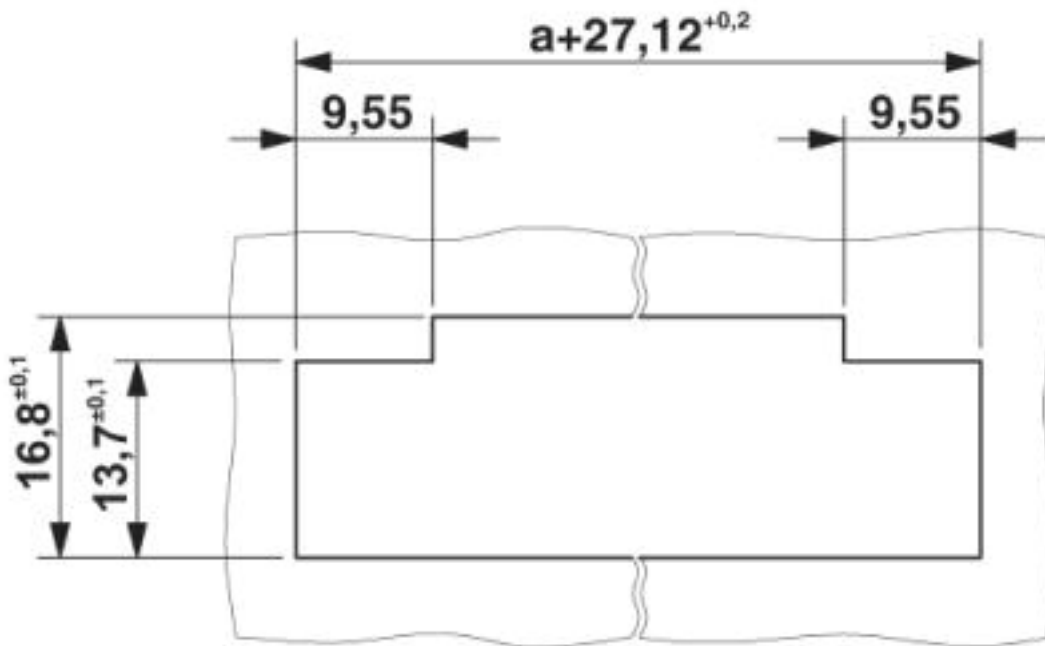
Derating curve for: DFK-PC 5/...-ST-7,62 with PC 5/...-ST-7,62  
Conductor cross section = 10 mm<sup>2</sup>

Dimensioned drawing



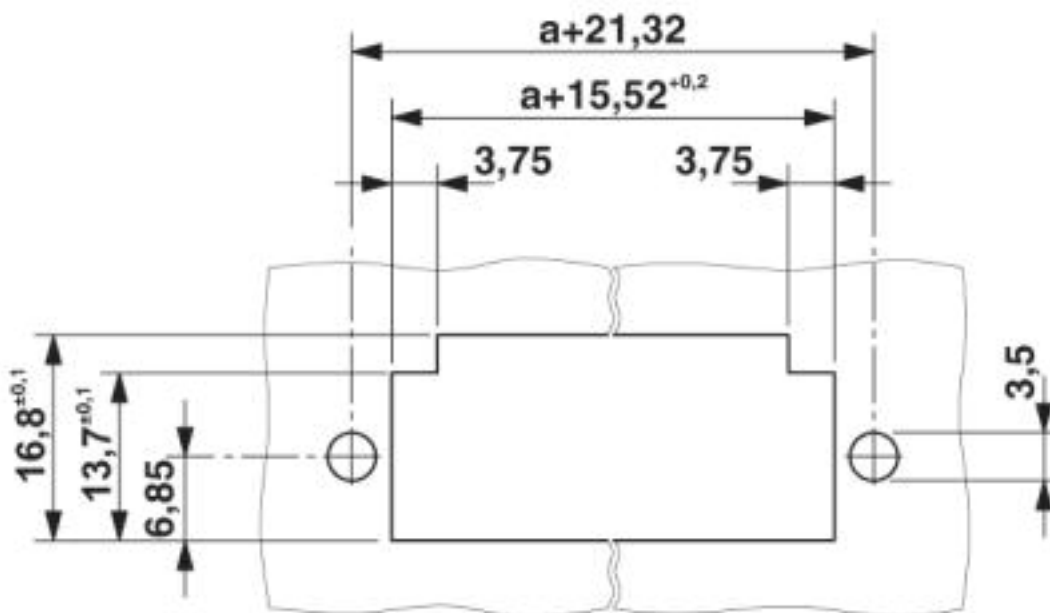
# Printed-circuit board connector - DFK-PC 5/ 2-ST-7,62 - 1716506

Dimensioned drawing



Sheet metal cutout for snap-on.

Dimensioned drawing



Sheet metal cutout for screw connection.