

Mounting material - FLRP/ICV 80 - 1808353

Please be informed that the data shown in this PDF Document is generated from our Online Catalog. Please find the complete data in the user's documentation. Our General Terms of Use for Downloads are valid (<http://download.phoenixcontact.com>)



Pair of guide rails, is inserted into the groove ICV/...G, height: 86 mm, hole diameter: 3.4 mm

Key commercial data

package_quantity	10
GTIN	4017918047023

classifications

eCl@ss

eCl@ss 4.0	272607xx
eCl@ss 4.1	27260701
eCl@ss 5.0	27260701
eCl@ss 5.1	27260701
eCl@ss 6.0	27260704
eCl@ss 7.0	27440490
eCl@ss 8.0	27440490

ETIM

ETIM 3.0	EC000879
ETIM 4.0	EC002498
ETIM 5.0	EC000879

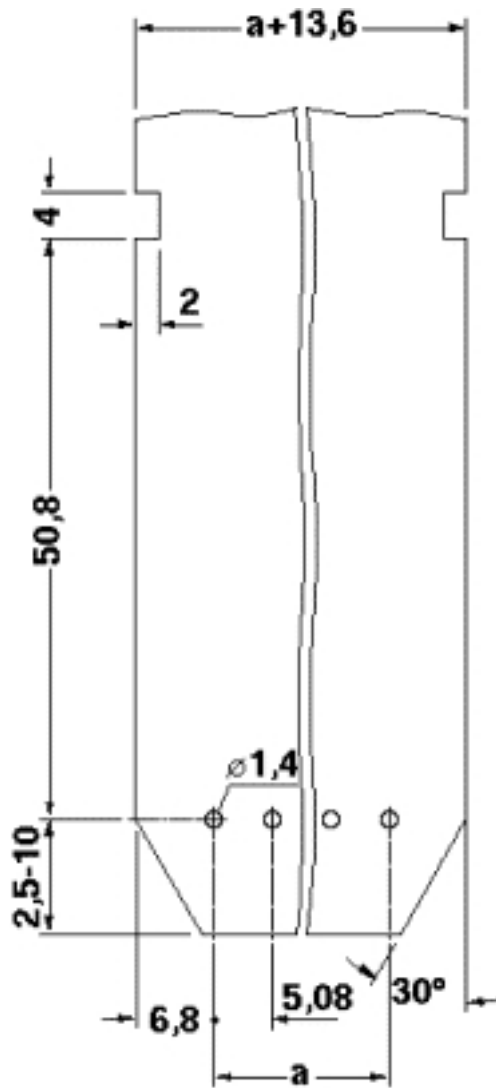
UNSPSC

UNSPSC 6.01	30211810
UNSPSC 7.0901	39121409
UNSPSC 11	39121409
UNSPSC 12.01	39121409
UNSPSC 13.2	39121409

Drawings

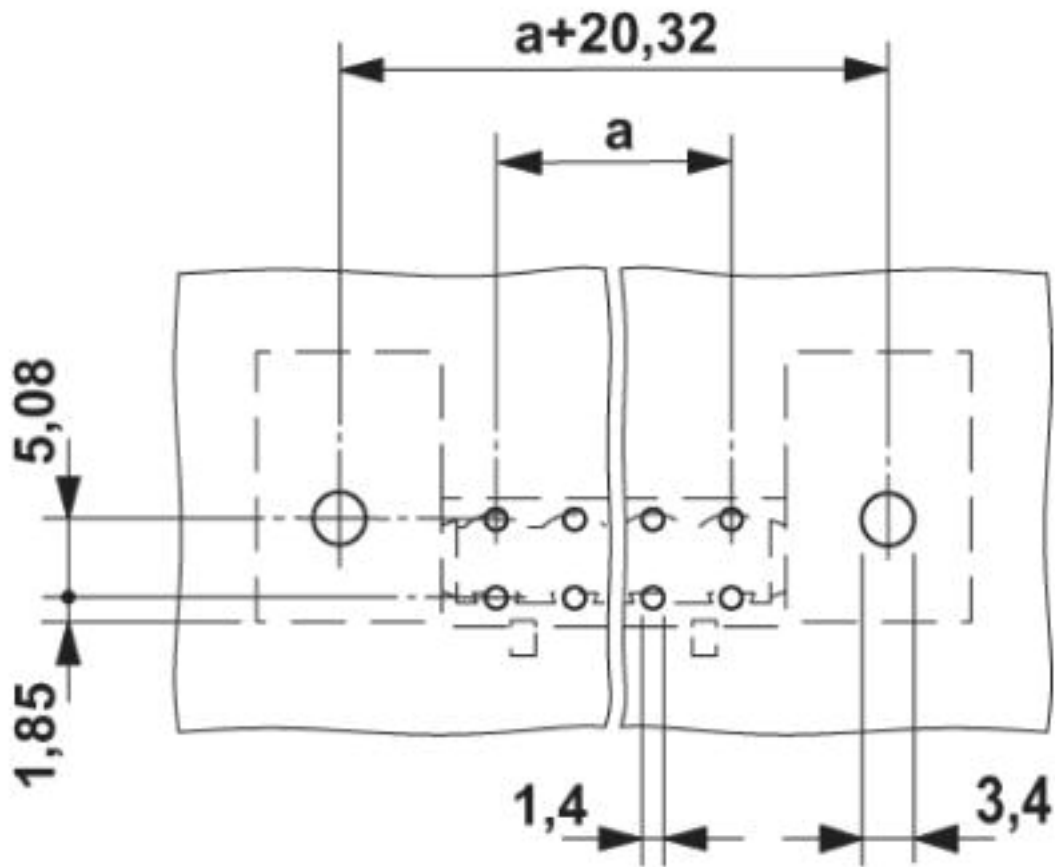
Mounting material - FLRP/ICV 80 - 1808353

Drilling diagram



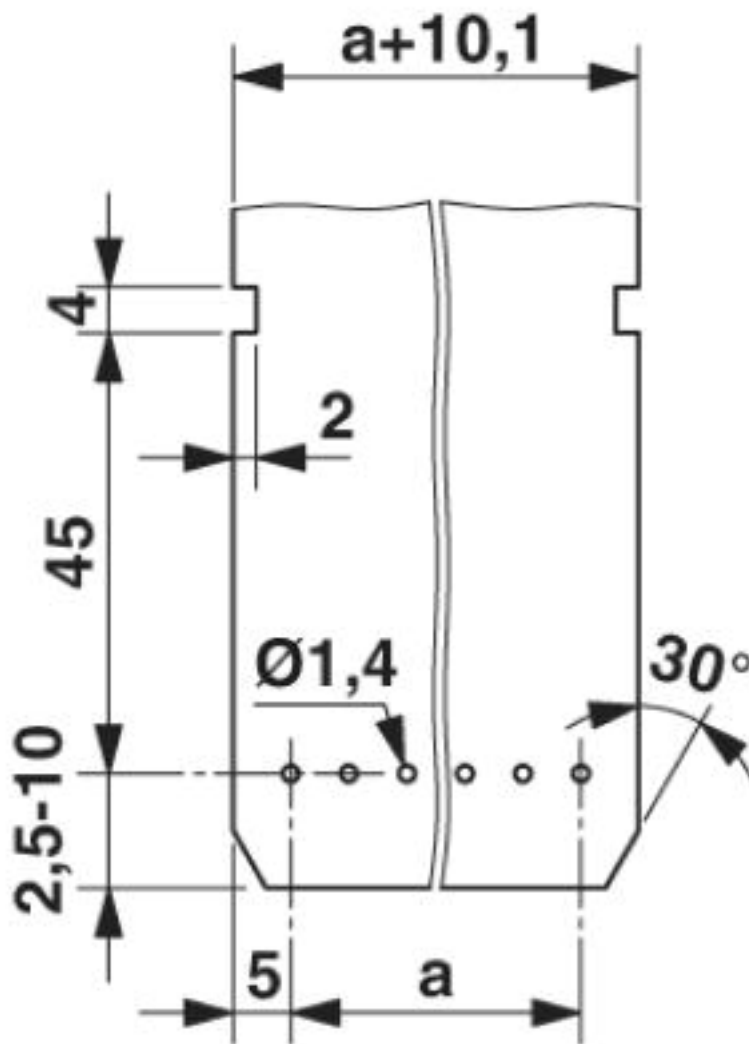
Mounting material - FLRP/ICV 80 - 1808353

Drilling diagram



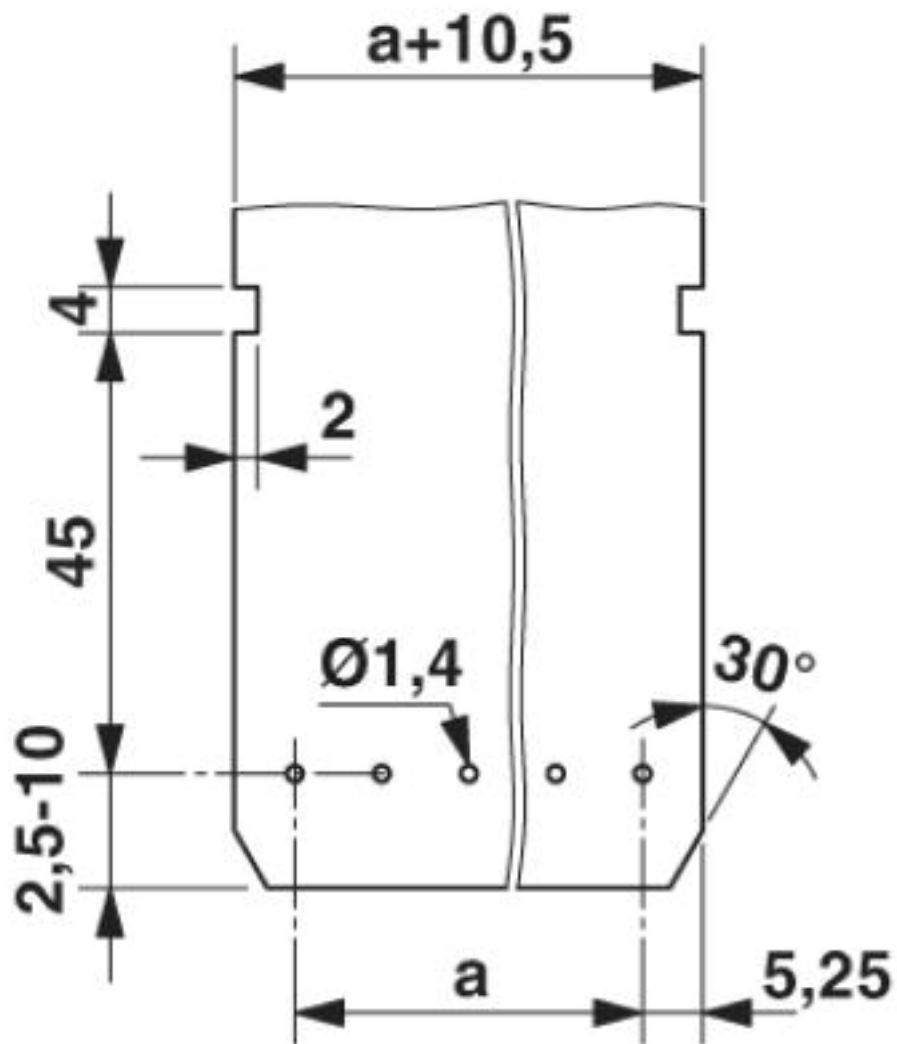
Mounting material - FLRP/ICV 80 - 1808353

Drilling diagram



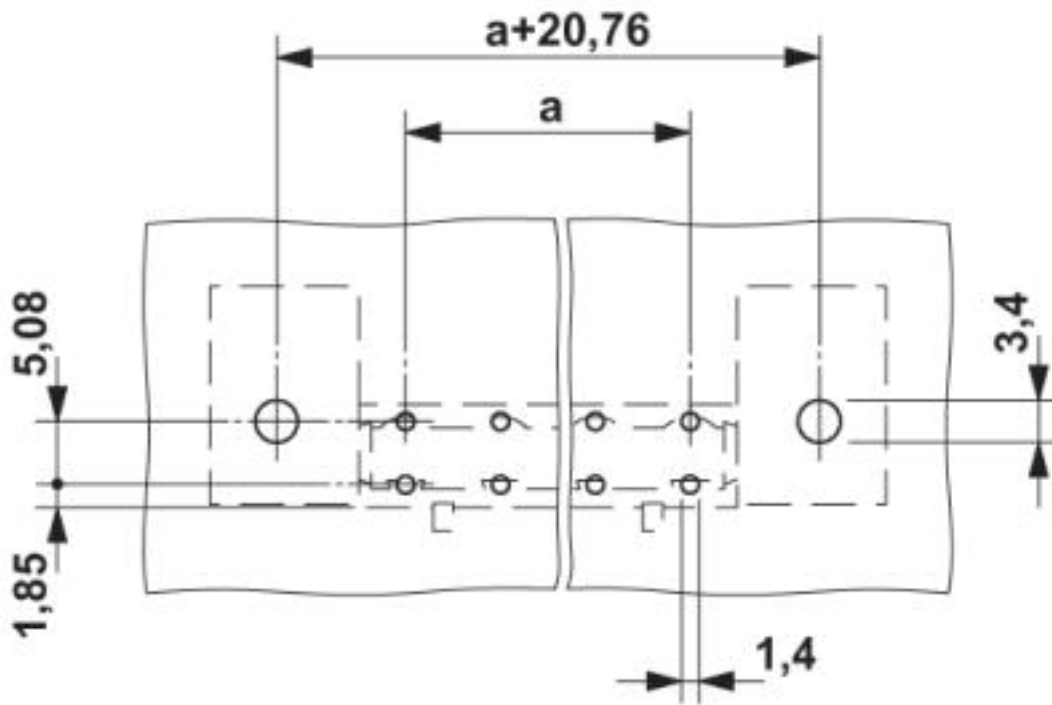
Mounting material - FLRP/ICV 80 - 1808353

Drilling diagram



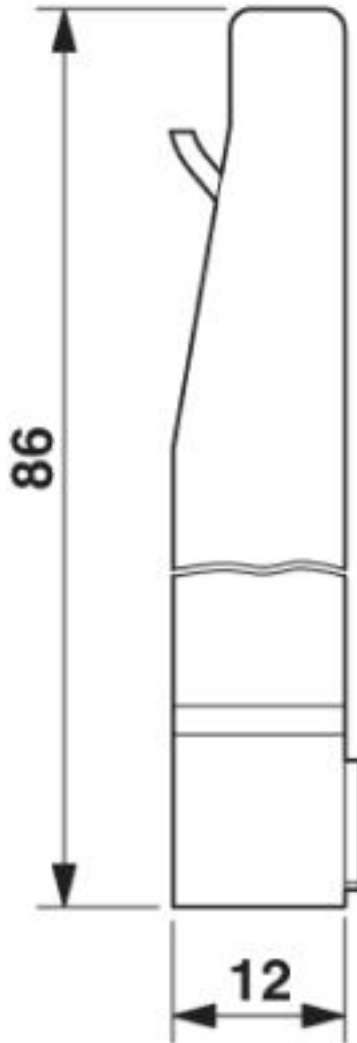
Mounting material - FLRP/ICV 80 - 1808353

Drilling diagram



Mounting material - FLRP/ICV 80 - 1808353

Dimensioned drawing



© Phoenix Contact 2013 - all rights reserved
<http://www.phoenixcontact.com>