

# Base strip - DFK-MC 1,5/ 7-GF-3,81 - 1829390

Please be informed that the data shown in this PDF Document is generated from our Online Catalog. Please find the complete data in the user's documentation. Our General Terms of Use for Downloads are valid (<http://download.phoenixcontact.com>)



Plug component, Nominal current: 8 A, Rated voltage (III/2): 160 V, Number of positions: 7, Pitch: 3.81 mm, Connection method: Solder/Slip-on connection, Color: green, Contact surface: Tin, Assembly: Direct mounting

The figure shows a 10-position version of the product

## Product Features

- Outside: plug-in connection for corresponding plugs with 3.81 mm pitch
- Headers for assembly in a device/housing panel
- Inside: optional solder or 2.8 mm slip-on plug-in connection
- Separate screw connection with the device/housing panel

## Key commercial data

package_quantity	50
GTIN	4017918051075

## Technical data

### Dimensions

Pitch	3.81 mm
Dimension a	22.86 mm

### General

Range of articles	DFK-MC 1,5/...-GF
Insulating material group	I
Rated surge voltage (III/3)	2.5 kV
Rated surge voltage (III/2)	2.5 kV
Rated surge voltage (II/2)	2.5 kV
Rated voltage (III/3)	160 V
Rated voltage (III/2)	160 V
Rated voltage (II/2)	320 V
Connection in acc. with standard	EN-VDE
Nominal current I <sub>N</sub>	8 A
Nominal cross section	1.5 mm <sup>2</sup>
Maximum load current	8 A
Insulating material	PA
Inflammability class according to UL 94	V0
Number of positions	7

# Base strip - DFK-MC 1,5/ 7-GF-3,81 - 1829390

## Technical data

### Connection data

Conductor cross section solid min.	0.14 mm <sup>2</sup>
Conductor cross section solid max.	1.5 mm <sup>2</sup>
Conductor cross section stranded min.	0.14 mm <sup>2</sup>
Conductor cross section stranded max.	1.5 mm <sup>2</sup>
Conductor cross section AWG/kcmil min.	28
Conductor cross section AWG/kcmil max	16

## classifications

### eCl@ss

eCl@ss 4.0	272607xx
eCl@ss 4.1	27260701
eCl@ss 5.0	27260701
eCl@ss 5.1	27141190
eCl@ss 6.0	27260704
eCl@ss 7.0	27440402
eCl@ss 8.0	27440402

### ETIM

ETIM 3.0	EC001283
ETIM 4.0	EC001283
ETIM 5.0	EC001283


### UNSPSC

UNSPSC 6.01	30211810
UNSPSC 7.0901	39121409
UNSPSC 11	39121409
UNSPSC 12.01	39121409
UNSPSC 13.2	39121409

## approvals

CSA / UL Recognized / VDE Gutachten mit Fertigungsüberwachung / cUL Recognized / GOST / IECCEB CB Scheme / GOST / CSA / CCA / cULus Recognized /

### Approval details

	
Nominal voltage UN	150 V
Nominal current IN	8 A

# Base strip - DFK-MC 1,5/ 7-GF-3,81 - 1829390

## approvals

mm²/AWG/kcmil	
---------------	--

**UL Recognized**

Usegroups	B	D
Nominal voltage UN	300 V	300 V
Nominal current IN	8 A	8 A
mm²/AWG/kcmil		

**VDE Gutachten mit Fertigungsüberwachung**

Nominal voltage UN	160 V
Nominal current IN	8 A
mm²/AWG/kcmil	0.2-1.5

**cUL Recognized**

Usegroups	B	D
Nominal voltage UN	300 V	300 V
Nominal current IN	8 A	8 A
mm²/AWG/kcmil		

**GOST**

**IECEE CB Scheme**

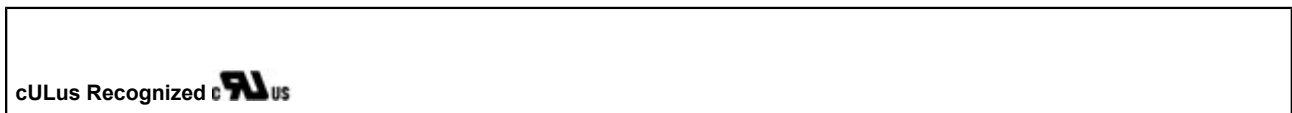
Nominal voltage UN	160 V
Nominal current IN	8 A
mm²/AWG/kcmil	0.2-1.5

# Base strip - DFK-MC 1,5/ 7-GF-3,81 - 1829390

approvals

Usegroups	B	D	
Nominal voltage UN	150 V	150 V	150 V
Nominal current IN	8 A	8 A	8 A
mm <sup>2</sup> /AWG/kcmil			

<b>CCA</b>	
Nominal voltage UN	160 V
Nominal current IN	8 A
mm <sup>2</sup> /AWG/kcmil	0.2-1.5



accessories

## Mounting material

DFK-MC SS - 0710015



---

## Coding element

CP-MSTB - 1734634



---

## Labeled terminal marker

## Base strip - DFK-MC 1,5/ 7-GF-3,81 - 1829390

accessories

SK 3,81/2,8:FORTL.ZAHLEN - 0804109



---

### Screwdriver tools

SZS 0,4X2,5 VDE - 1205037

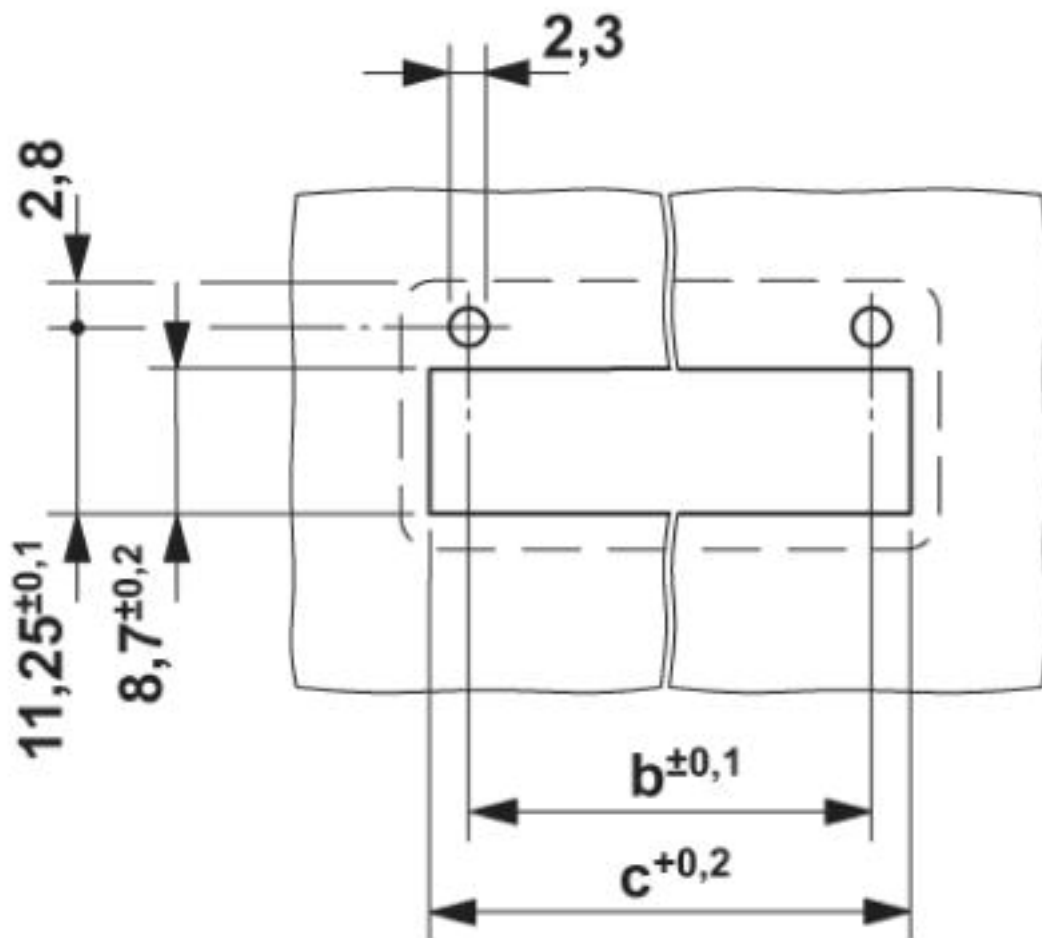


---

### Drawings

# Base strip - DFK-MC 1,5/ 7-GF-3,81 - 1829390

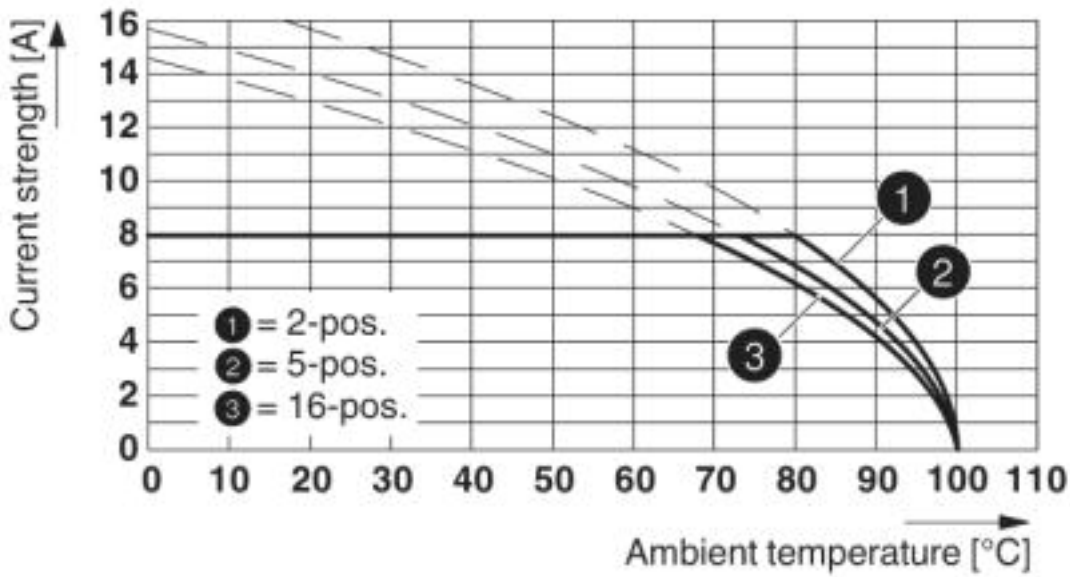
Drilling diagram



Dimension b:  $6.19 \text{ mm} + (\text{no. of pos.} \times 3.81 \text{ mm})$  Dimension c:  $\text{Dim. b} + 4.7 \text{ mm}$

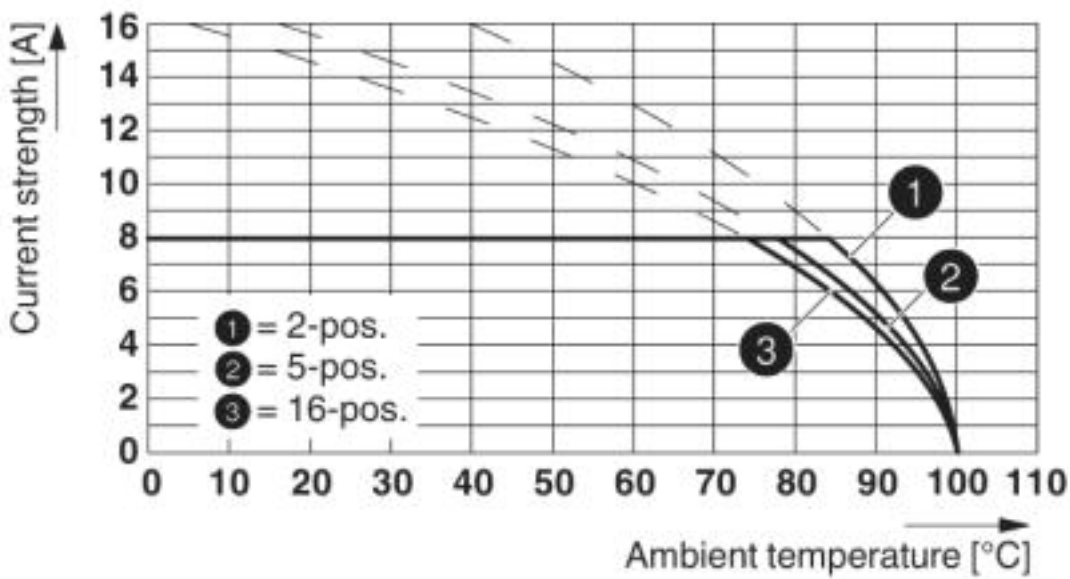
# Base strip - DFK-MC 1,5/ 7-GF-3,81 - 1829390

Diagram



Type: MC 1,5/...-STF-3,81 with DFK-MC 1,5/...-GF-3,81 (with flat plug)

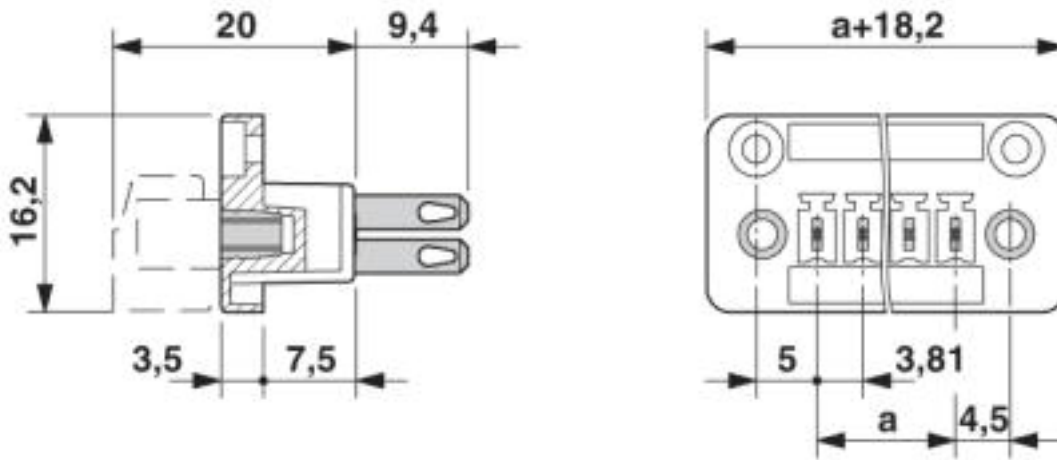
Diagram



Type: MC 1,5/...-STF-3,81 with DFK-MC 1,5/...-GF-3,81 (with solder connection)

# Base strip - DFK-MC 1,5/ 7-GF-3,81 - 1829390

Dimensioned drawing



© Phoenix Contact 2013 - all rights reserved  
<http://www.phoenixcontact.com>