

Base strip - DFK-PC 4/ 4-GF-7,62 - 1840573

Please be informed that the data shown in this PDF Document is generated from our Online Catalog. Please find the complete data in the user's documentation. Our General Terms of Use for Downloads are valid (<http://download.phoenixcontact.com>)



Plug component, Nominal current: 20 A, Rated voltage (III/2): 630 V, Number of positions: 4, Pitch: 7.62 mm, Connection method: Screw connection, Color: green, Contact surface: Tin, Assembly: Direct mounting

The figure shows a 5-pos. version of the product

Product Features

- Can be plugged into PC 4 and PC 5 plugs
- Lateral mounting flanges (for screw set see accessories)
- Screw connection on the inside of the device
- Can be mounted from outside or prewired and mounted from inside
- Feed-through connectors for a panel thickness of 1 to 5 mm

Key commercial data

| | |
|-------------------------|---------------|
| package_quantity | 50 |
| GTIN | 4017918111724 |

Technical data

Dimensions

| | |
|--------------------|----------|
| Pitch | 7.62 mm |
| Dimension a | 22.86 mm |

General

| | |
|--|-------------------|
| Range of articles | DFK-PC 4/...-GF |
| Insulating material group | I |
| Rated surge voltage (III/3) | 6 kV |
| Rated surge voltage (III/2) | 6 kV |
| Rated surge voltage (II/2) | 6 kV |
| Rated voltage (III/3) | 400 V |
| Rated voltage (III/2) | 630 V |
| Rated voltage (II/2) | 1000 V |
| Connection in acc. with standard | EN-VDE |
| Nominal current I_N | 20 A |
| Nominal cross section | 4 mm ² |
| Maximum load current | 20 A |
| Insulating material | PA |
| Inflammability class according to UL 94 | V0 |

Base strip - DFK-PC 4/ 4-GF-7,62 - 1840573

Technical data

General

| | |
|---------------------------|--------|
| Internal cylindrical gage | A4 |
| Stripping length | 7 mm |
| Number of positions | 4 |
| Screw thread | M3 |
| Tightening torque, min | 0.5 Nm |
| Tightening torque max | 0.6 Nm |

Connection data

| | |
|---|----------------------|
| Conductor cross section solid min. | 0.2 mm ² |
| Conductor cross section solid max. | 4 mm ² |
| Conductor cross section stranded min. | 0.2 mm ² |
| Conductor cross section stranded max. | 4 mm ² |
| Conductor cross section stranded, with ferrule without plastic sleeve min. | 0.25 mm ² |
| Conductor cross section stranded, with ferrule without plastic sleeve max. | 4 mm ² |
| Conductor cross section stranded, with ferrule with plastic sleeve min. | 0.25 mm ² |
| Conductor cross section stranded, with ferrule with plastic sleeve max. | 4 mm ² |
| Conductor cross section AWG/kcmil min. | 24 |
| Conductor cross section AWG/kcmil max | 10 |
| 2 conductors with same cross section, solid min. | 0.2 mm ² |
| 2 conductors with same cross section, solid max. | 2.5 mm ² |
| 2 conductors with same cross section, stranded min. | 0.2 mm ² |
| 2 conductors with same cross section, stranded max. | 2.5 mm ² |
| 2 conductors with same cross section, stranded, ferrules without plastic sleeve, min. | 0.2 mm ² |
| 2 conductors with same cross section, stranded, ferrules without plastic sleeve, max. | 1.5 mm ² |
| 2 conductors with same cross section, stranded, TWIN ferrules with plastic sleeve, min. | 0.5 mm ² |
| 2 conductors with same cross section, stranded, TWIN ferrules with plastic sleeve, max. | 2.5 mm ² |
| Minimum AWG according to UL/CUL | 30 |
| Maximum AWG according to UL/CUL | 10 |

classifications

eCl@ss

| | |
|------------|----------|
| eCl@ss 4.0 | 272607xx |
| eCl@ss 4.1 | 27260701 |
| eCl@ss 5.0 | 27260701 |
| eCl@ss 5.1 | 27141190 |
| eCl@ss 6.0 | 27260704 |

Base strip - DFK-PC 4/ 4-GF-7,62 - 1840573

classifications

eCl@ss

| | |
|------------|----------|
| eCl@ss 7.0 | 27440402 |
| eCl@ss 8.0 | 27440402 |

ETIM

| | |
|----------|----------|
| ETIM 3.0 | EC001283 |
| ETIM 4.0 | EC001283 |
| ETIM 5.0 | EC002637 |

UNSPSC

| | |
|---------------|----------|
| UNSPSC 6.01 | 30211810 |
| UNSPSC 7.0901 | 39121409 |
| UNSPSC 11 | 39121409 |
| UNSPSC 12.01 | 39121409 |
| UNSPSC 13.2 | 39121409 |

approvals

CSA / UL Recognized / cUL Recognized / GOST / LR / GL / DNV / GOST / cULus Recognized /

Approval details

| Usegroups | B | C |
|----------------------------|-------|-------|
| Nominal voltage UN | 300 V | 300 V |
| Nominal current IN | 20 A | 20 A |
| mm ² /AWG/kcmil | 28-10 | 28-10 |

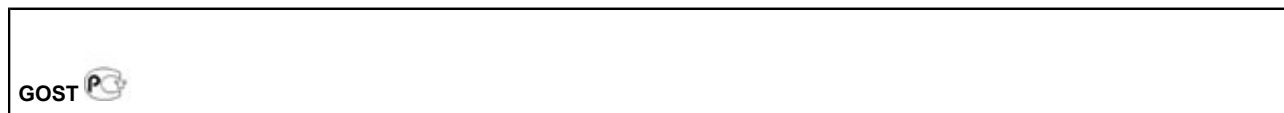
| Usegroups | B | C | D |
|----------------------------|-------|-------|-------|
| Nominal voltage UN | 300 V | 300 V | 600 V |
| Nominal current IN | 35 A | 35 A | 5 A |
| mm ² /AWG/kcmil | 30-10 | 30-10 | 30-10 |

| Usegroups | B | C | D |
|--------------------|-------|-------|-------|
| Nominal voltage UN | 300 V | 300 V | 600 V |
| Nominal current IN | 35 A | 35 A | 5 A |

Base strip - DFK-PC 4/ 4-GF-7,62 - 1840573

approvals

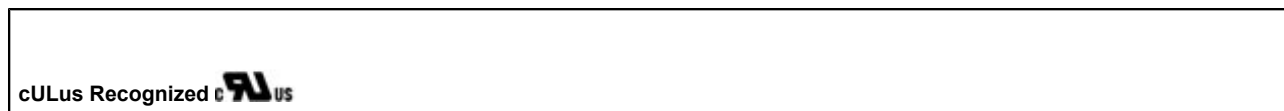
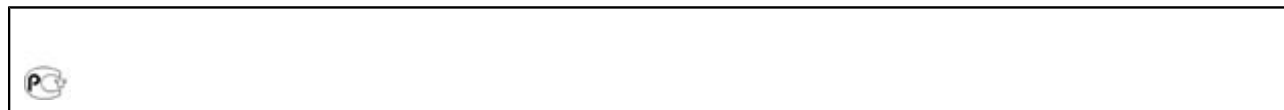
| Usegroups | B | C | D |
|---------------|-------|-------|-------|
| mm²/AWG/kcmil | 30-10 | 30-10 | 30-10 |



| LR | |
|--------------------|-------|
| Nominal voltage UN | 400 V |
| Nominal current IN | 20 A |
| mm²/AWG/kcmil | 4 |

| GL | |
|--------------------|-------|
| Nominal voltage UN | 400 V |
| Nominal current IN | 20 A |
| mm²/AWG/kcmil | |

DNV



accessories

Mounting material

DFK-MSTB-SS - 0708263



Coding element

Base strip - DFK-PC 4/ 4-GF-7,62 - 1840573

accessories

CP-PC RD - 1701967



Labeled terminal marker

SK 7,62/3,8:FORTL.ZAHLEN - 0804549



Screwdriver tools

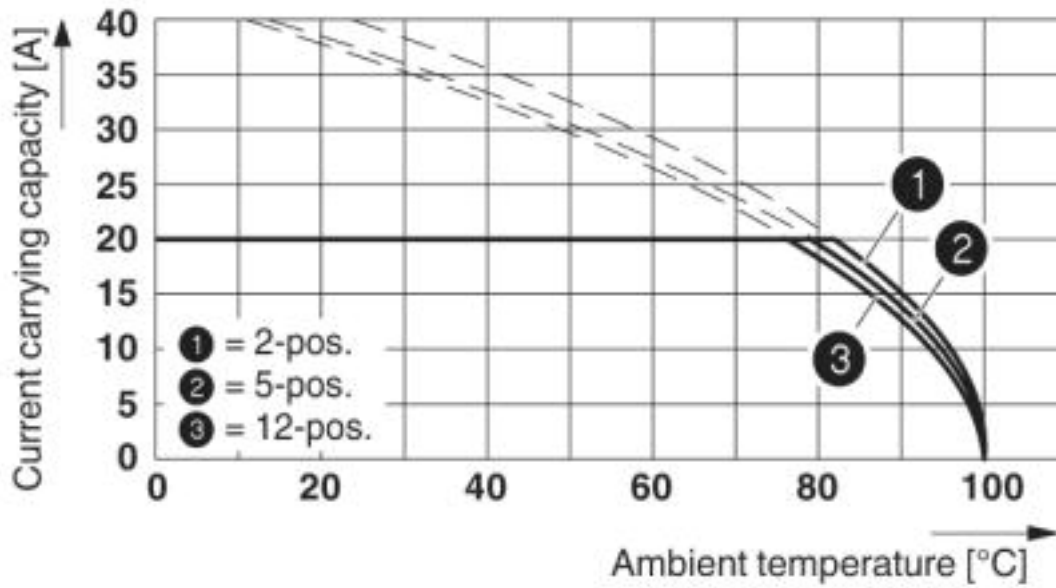
SZS 0,6X3,5 - 1205053



Drawings

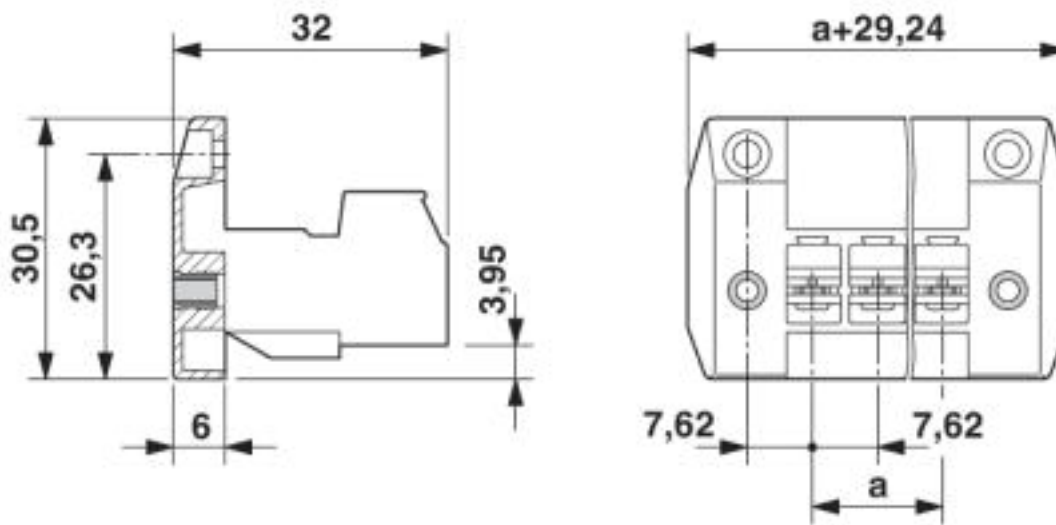
Base strip - DFK-PC 4/ 4-GF-7,62 - 1840573

Diagram



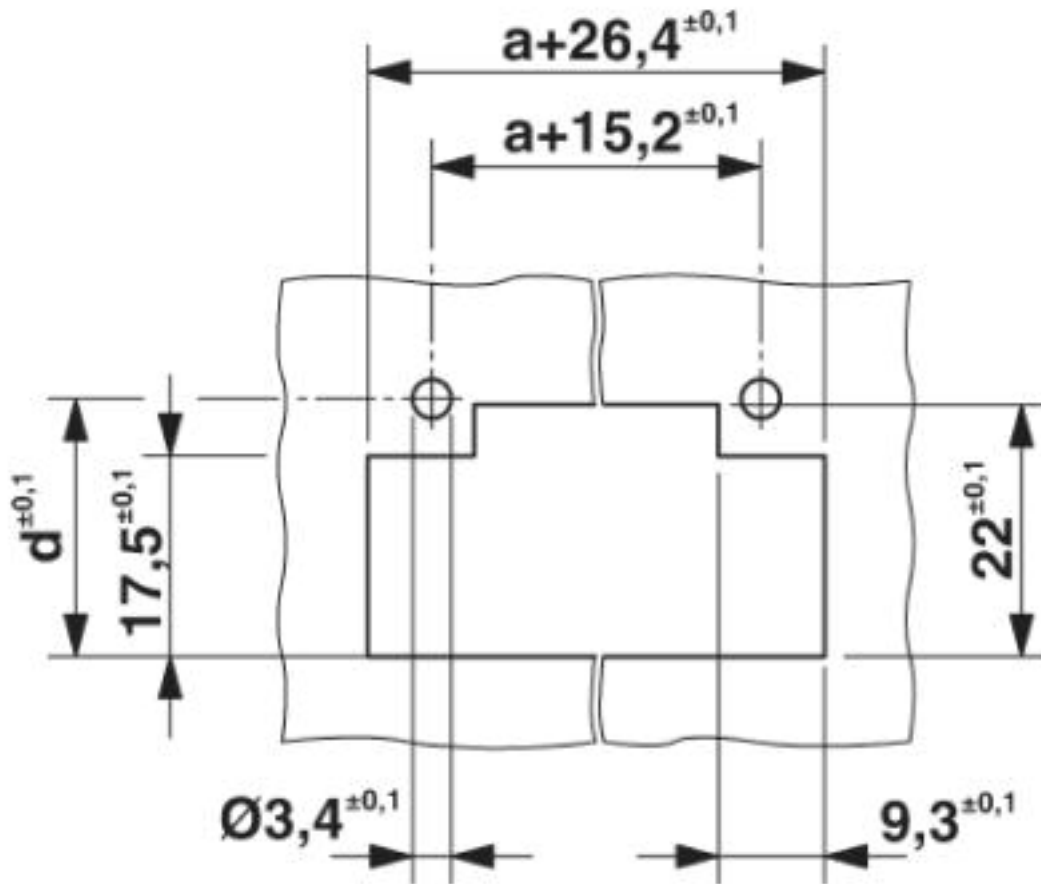
Derating curve for: PC 4/...-ST-7,62 with DFK-PC 4/...-GF-7,62

Dimensioned drawing



Base strip - DFK-PC 4/ 4-GF-7,62 - 1840573

Dimensioned drawing



Dimension d depending on the wall thickness (W) in mm: W=1: d=21.4W=2: d=21.9W=3: d=22.5W=4: d=23.1W=5: d=23.7

© Phoenix Contact 2013 - all rights reserved
<http://www.phoenixcontact.com>