

# Contact insert - VC-D1-ST15-PE - 1855018

Please be informed that the data shown in this PDF Document is generated from our Online Catalog. Please find the complete data in the user's documentation. Our General Terms of Use for Downloads are valid (<http://download.phoenixcontact.com>)



Male contact carrier, for turned and rolled crimp contacts, type VC 1, 15-pos. + PE

## Product Features

- Positions 15, 30, 50, and 65 are available, in accordance with housing sizes VC 1 - VC 4.
- Contact types meet the requirements of IEC 60352/DIN EN 60352
- Contact carriers have two further capacitive PE contacts
- Pin and socket contacts can be used on both the plug and device sides
- The connection data of 250 V/10 A corresponds to that of the HEAVYCON DD series

## Key commercial data

<b>package_quantity</b>	10
<b>GTIN</b>	4017918159399

## Technical data

### Electrical characteristics

<b>Note</b>	Connectors may only be connected/disconnected when under no load.
<b>Rated voltage</b>	250 V
<b>Rated voltage (III/3)</b>	250 V
<b>Rated current</b>	10 A
<b>Rated current</b>	10 A
<b>Rated surge voltage</b>	4 kV
<b>Number of positions</b>	15

### Ambient conditions

<b>Ambient temperature (operation)</b>	-40 °C ... 125 °C
--	-------------------

### Mechanical characteristics

<b>Conductor cross section</b>	0.14 mm <sup>2</sup> ... 1.5 mm <sup>2</sup> (stranded)
<b>Connection cross section AWG</b>	22 ... 16
<b>Stripping length of the individual wire</b>	8 mm
<b>Conductor cross section stranded max.</b>	1.5 mm <sup>2</sup>
<b>Insertion/withdrawal cycles</b>	>= 500

### General

<b>Design</b>	VC1
---------------	-----

# Contact insert - VC-D1-ST15-PE - 1855018

## Technical data

### General

<b>Series</b>	VC-D
<b>Connection method</b>	Crimp connection
<b>Inflammability class according to UL 94</b>	V0
<b>Pollution degree</b>	2
<b>Surge voltage category</b>	III

### Material data

<b>Contact carrier material</b>	PA-GF
---------------------------------	-------

## classifications

### eCl@ss

<b>eCl@ss 4.0</b>	27140816
<b>eCl@ss 4.1</b>	27140816
<b>eCl@ss 5.0</b>	27143424
<b>eCl@ss 5.1</b>	27143424
<b>eCl@ss 6.0</b>	27143424
<b>eCl@ss 7.0</b>	27440209
<b>eCl@ss 8.0</b>	27440209

### ETIM

<b>ETIM 2.0</b>	EC000438
<b>ETIM 3.0</b>	EC000438
<b>ETIM 4.0</b>	EC000438
<b>ETIM 5.0</b>	EC000438

### UNSPSC

<b>UNSPSC 6.01</b>	30211923
<b>UNSPSC 7.0901</b>	39121522
<b>UNSPSC 11</b>	39121522
<b>UNSPSC 12.01</b>	39121522
<b>UNSPSC 13.2</b>	39121522


## approvals

---

UL Recognized / cUL Recognized / GOST / GOST / cULus Recognized /

---

### Approval details


---

# Contact insert - VC-D1-ST15-PE - 1855018

## approvals

Nominal voltage UN	250 V
Nominal current IN	4 A
mm <sup>2</sup> /AWG/kcmil	

<b>cUL Recognized</b>	
Nominal voltage UN	250 V
Nominal current IN	4 A
mm <sup>2</sup> /AWG/kcmil	

<b>GOST</b>	
-------------	--

--	--

<b>cULus Recognized</b>	
-------------------------	--

## accessories

### Panel mounting flange

VC-D-AF - 1855319



---

### Crimp contact

CK1,6-ED-0,37BU AG - 1663394



## Contact insert - VC-D1-ST15-PE - 1855018

### accessories

CK1,6-ED-0,37BU AU - 1674969



CK1,6-ED-0,50BU AG - 1663404



CK1,6-ED-0,50BU AU - 1674480



CK1,6-ED-0,75BU AG - 1663417



CK1,6-ED-0,75BU AU - 1672440



CK1,6-ED-1,00BU AG - 1663420



## Contact insert - VC-D1-ST15-PE - 1855018

accessories

---

CK1,6-ED-1,00BU AU - 1674943



CK1,6-ED-1,50BU AG - 1663433



CK1,6-ED-1,50BU AU - 1674930



CK1,6-ED-0,37ST AG - 1663336



CK1,6-ED-0,37ST AU - 1674901



## Contact insert - VC-D1-ST15-PE - 1855018

### accessories

CK1,6-ED-0,50ST AG - 1663349



CK1,6-ED-0,50ST AU - 1672453



CK1,6-ED-0,75ST AG - 1663352



CK1,6-ED-0,75ST AU - 1674914



CK1,6-ED-1,00ST AG - 1663365



CK1,6-ED-1,00ST AU - 1674888



## Contact insert - VC-D1-ST15-PE - 1855018

accessories

---

CK1,6-ED-1,50ST AG - 1663378



CK1,6-BR-0,50ST AG - 1884157



CK1,6-BR-1,50ST AG - 1884144



CK1,6-BR-0,50BU AG - 1884186



CK1,6-ER-0,50ST AG - 1884092



## Contact insert - VC-D1-ST15-PE - 1855018

### accessories

CK1,6-ER-1,50ST AG - 1884089



CK1,6-ER-0,50BU AG - 1884128



### Fiber optics contact

CK1,6-ED-BU-POF - 1885004



CK1,6-ED-ST-POF - 1884995



### Crimping tool

CRIMPFOX-1,6/2,5-ED-4,0 - 1687419





## Contact insert - VC-D1-ST15-PE - 1855018

### accessories

CRIMPFOX-1,6-ER-1,50-AT - 1884843



---

### Assembly tool

VC-EW 1,6 - 1884869



CK1,6/2,5-MWZ - 1676734



---

### accessories

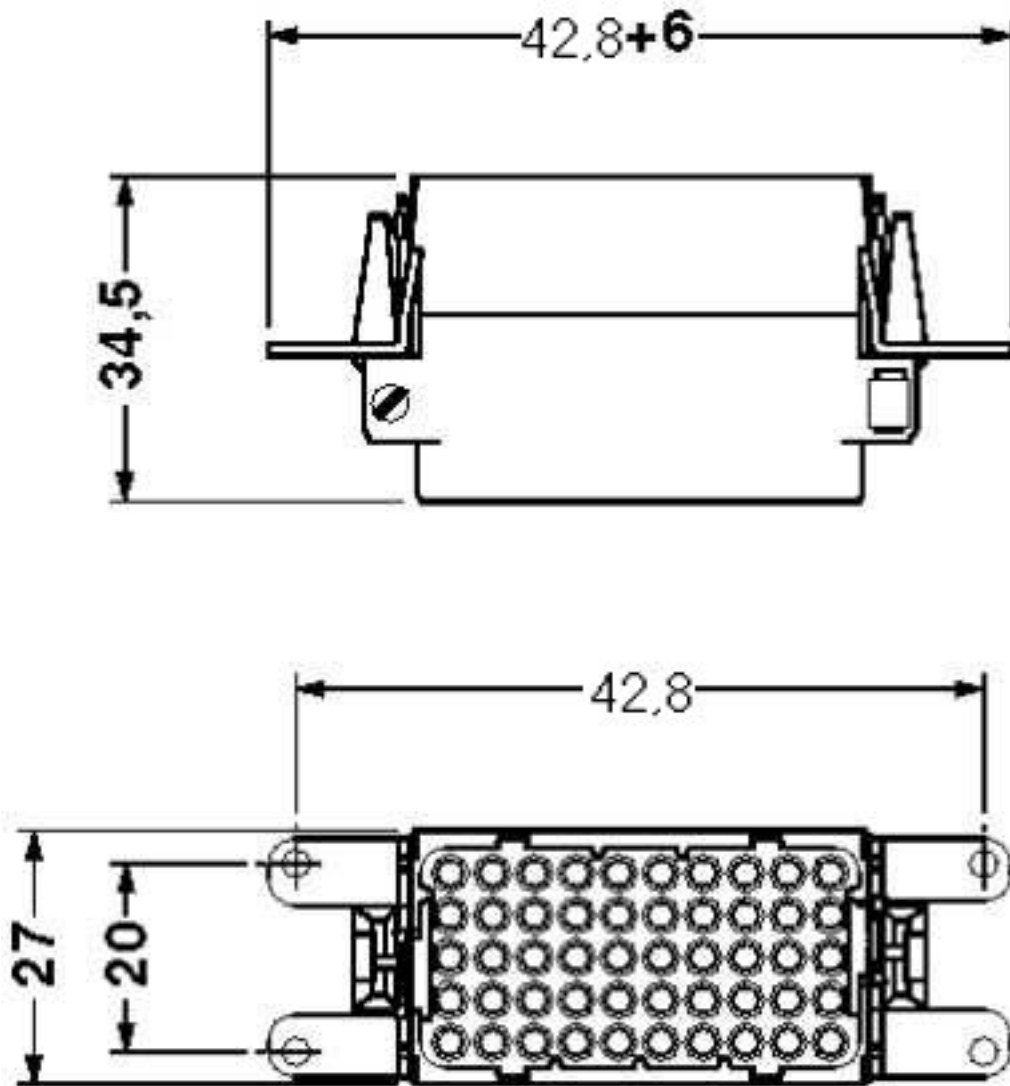
CRIMPFOX-1,6-ED-POF - 1885017

---

### Drawings

# Contact insert - VC-D1-ST15-PE - 1855018

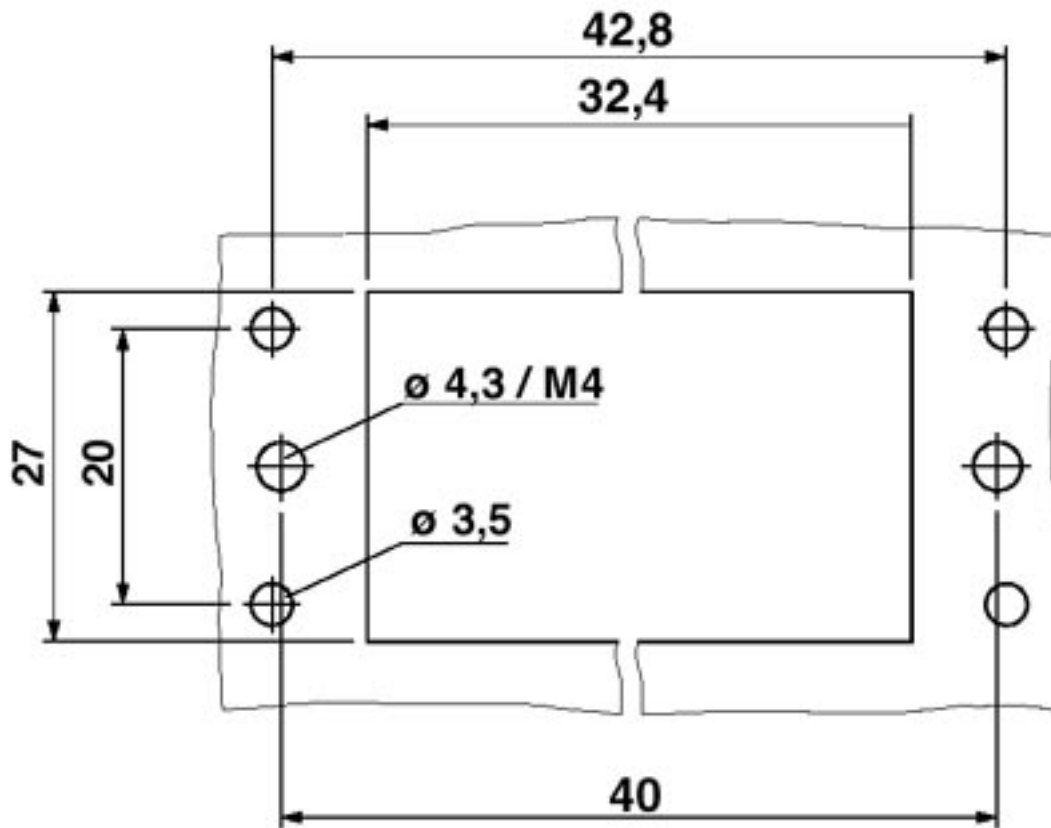
Dimensioned drawing



Contact insert

# Contact insert - VC-D1-ST15-PE - 1855018

Dimensioned drawing



Panel cutout

© Phoenix Contact 2013 - all rights reserved  
<http://www.phoenixcontact.com>