

Contact insert - VC-D2-BU30-PE-R - 1884791

Please be informed that the data shown in this PDF Document is generated from our Online Catalog. Please find the complete data in the user's documentation. Our General Terms of Use for Downloads are valid (<http://download.phoenixcontact.com>)



Female contact carrier, for rolled crimp contacts, type VC 2, 30-pos. + PE

Product Features

- Positions 15, 30, 50, and 65 are available, in accordance with housing sizes VC 1 - VC 4.
- Contact types meet the requirements of IEC 60352/DIN EN 60352
- Contact carriers have two further capacitive PE contacts
- Pin and socket contacts can be used on both the plug and device sides
- The connection data of 250 V/10 A corresponds to that of the HEAVYCON DD series

Key commercial data

package_quantity	10
GTIN	4017918164867

Technical data

Electrical characteristics

Note	Connectors may only be connected/disconnected when under no load.
Rated voltage	250 V
Rated voltage (III/3)	250 V
Rated current	10 A
Rated current	10 A
Rated surge voltage	4 kV
Number of positions	30

Ambient conditions

Ambient temperature (operation)	-40 °C ... 125 °C
--	-------------------

Mechanical characteristics

Conductor cross section	0.14 mm ² ... 1.5 mm ² (stranded)
Connection cross section AWG	22 ... 16
Stripping length of the individual wire	8 mm
Conductor cross section stranded max.	1.5 mm ²
Insertion/withdrawal cycles	>= 500

General

Design	VC2
---------------	-----

Contact insert - VC-D2-BU30-PE-R - 1884791

Technical data

General

Series	VC-D
Connection method	Crimp connection
Inflammability class according to UL 94	V0
Pollution degree	2
Surge voltage category	III

Material data

Contact carrier material	PA-GF
---------------------------------	-------

classifications

eCl@ss

eCl@ss 4.0	27140816
eCl@ss 4.1	27140816
eCl@ss 5.0	27143424
eCl@ss 5.1	27143424
eCl@ss 6.0	27143424
eCl@ss 7.0	27440209
eCl@ss 8.0	27440209

ETIM

ETIM 2.0	EC000438
ETIM 3.0	EC000438
ETIM 4.0	EC000438
ETIM 5.0	EC000438

UNSPSC

UNSPSC 6.01	30211923
UNSPSC 7.0901	39121522
UNSPSC 11	39121522
UNSPSC 12.01	39121522
UNSPSC 13.2	39121522

approvals

UL Recognized / cUL Recognized / GOST / GOST / cULus Recognized /

Approval details



Contact insert - VC-D2-BU30-PE-R - 1884791

approvals

Nominal voltage UN	250 V
Nominal current IN	4 A
mm ² /AWG/kcmil	

cUL Recognized	
Nominal voltage UN	250 V
Nominal current IN	4 A
mm ² /AWG/kcmil	

GOST

--

cULus Recognized

accessories

Panel mounting flange

VC-D-AF - 1855319



Crimp contact

CK1,6-BR-0,50ST AG - 1884157



Contact insert - VC-D2-BU30-PE-R - 1884791

accessories

CK1,6-BR-1,50ST AG - 1884144



CK1,6-BR-0,50BU AG - 1884186



CK1,6-ER-0,50ST AG - 1884092



CK1,6-ER-1,50ST AG - 1884089



CK1,6-ER-0,50BU AG - 1884128



Crimping tool

Contact insert - VC-D2-BU30-PE-R - 1884791

accessories

CRIMPFOX-1,6-ER-1,50-AT - 1884843



Assembly tool

VC-EW 1,6 - 1884869



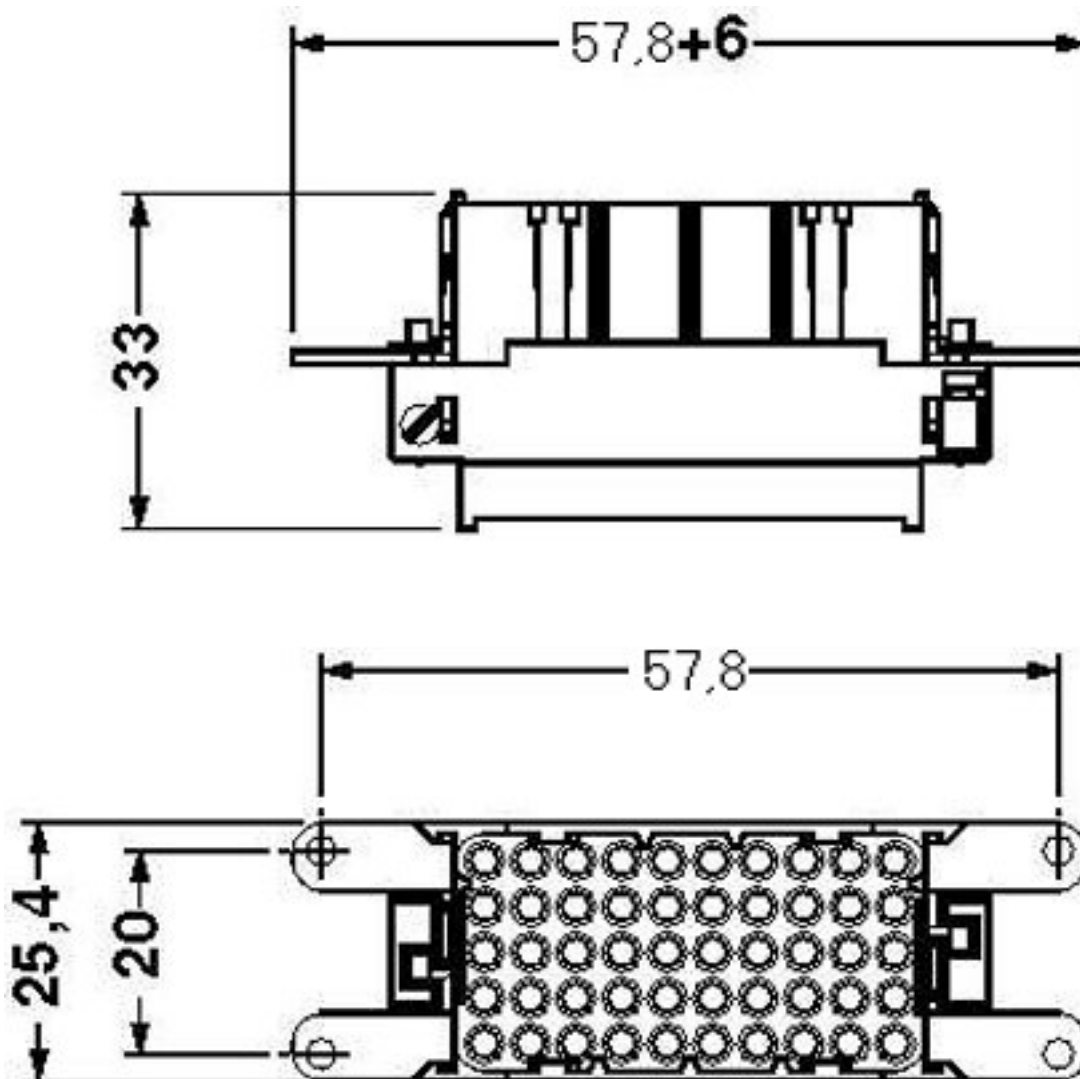
CK1,6/2,5-MWZ - 1676734



Drawings

Contact insert - VC-D2-BU30-PE-R - 1884791

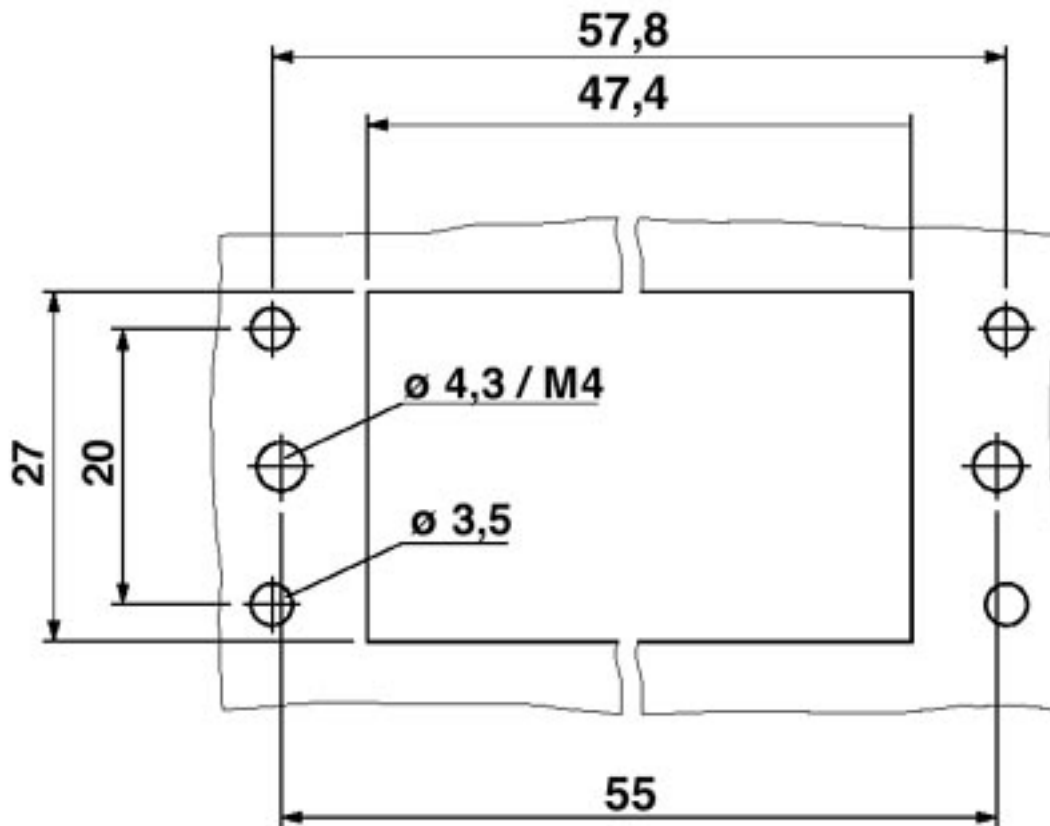
Dimensioned drawing



Contact insert

Contact insert - VC-D2-BU30-PE-R - 1884791

Dimensioned drawing



Panel cutout

© Phoenix Contact 2013 - all rights reserved
<http://www.phoenixcontact.com>