

Contact insert - VC-AMLV 8 - 1884885

Please be informed that the data shown in this PDF Document is generated from our Online Catalog. Please find the complete data in the user's documentation. Our General Terms of Use for Downloads are valid (<http://download.phoenixcontact.com>)



Contact insert module, for panel mounting frames, with 180° PCB connection, 8-pos., 160 V / 10 A

Product Features

- Compact design
- Proven COMBICON technology
- Direct PCB connection
- Can be keyed to prevent incorrect connection

Key commercial data

package_quantity	50
GTIN	4017918170769

Technical data

General

Note	Connectors may only be connected/disconnected when under no load.
Connection method	Solder connection
Connection method	Solder connection
Pollution degree	3
Surge voltage category	III
Number of positions	8
Insertion/withdrawal cycles	≥ 100
Pin dimensions	0,8 x 0,8 mm

Ambient conditions

Ambient temperature (operation)	-40 °C ... 100 °C
---------------------------------	-------------------

Material data

Inflammability class according to UL 94	V0
Contact material	CuZn
Contact surface material	Tin-plated
Contact carrier material	PA

Electrical characteristics

Rated voltage (III/3)	160 V
Rated surge voltage	2.5 kV

Contact insert - VC-AMLV 8 - 1884885

Technical data

Electrical characteristics

Rated surge voltage	2.5 kV
Rated current	10 A

classifications

eCl@ss

eCl@ss 4.0	27140816
eCl@ss 4.1	27140816
eCl@ss 5.0	27143424
eCl@ss 5.1	27143424
eCl@ss 6.0	27143424
eCl@ss 7.0	27440209
eCl@ss 8.0	27440209

ETIM

ETIM 2.0	EC000438
ETIM 3.0	EC000438
ETIM 4.0	EC000438
ETIM 5.0	EC000438


UNSPSC

UNSPSC 6.01	30211923
UNSPSC 7.0901	39121522
UNSPSC 11	39121522
UNSPSC 12.01	39121522
UNSPSC 13.2	39121522

approvals

UL Recognized / GOST / GOST /

Approval details

UL Recognized 	
Nominal voltage UN	250 V
Nominal current IN	8 A
mm ² /AWG/kcmil	

Contact insert - VC-AMLV 8 - 1884885

approvals



accessories

Coding element

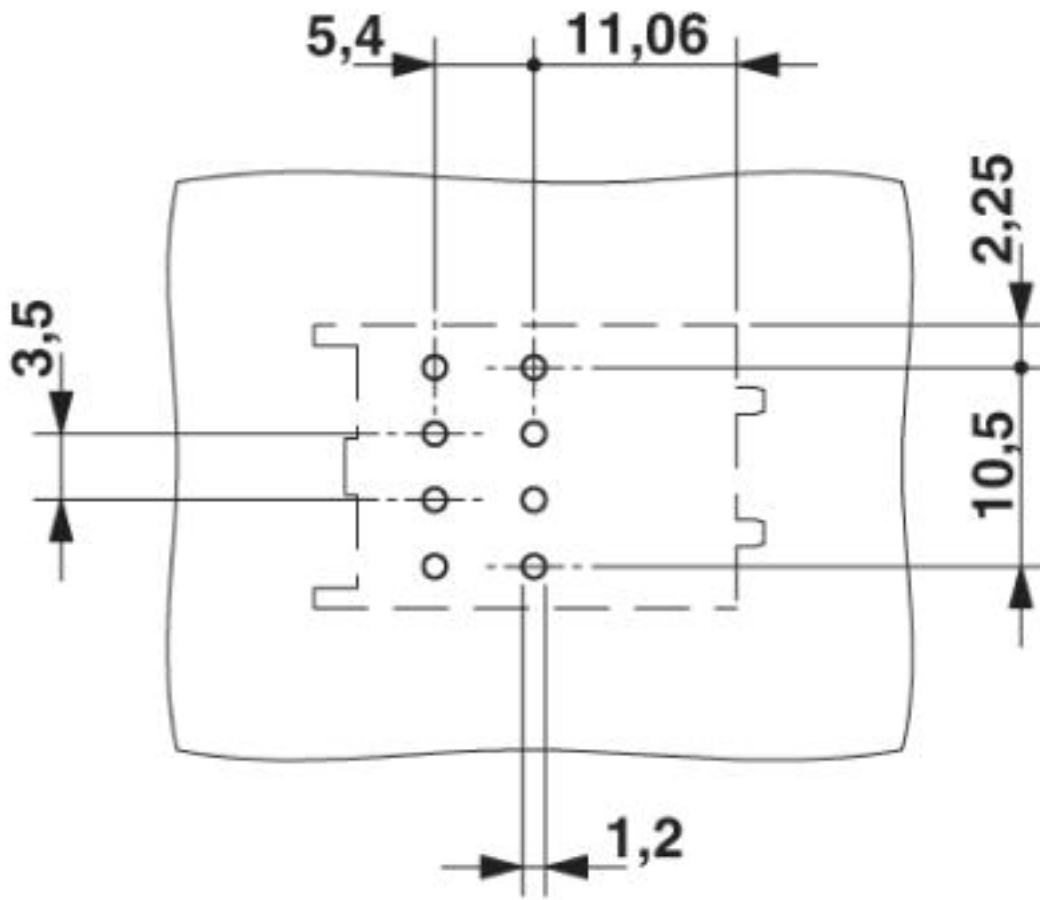
CP-MSTB - 1734634



Drawings

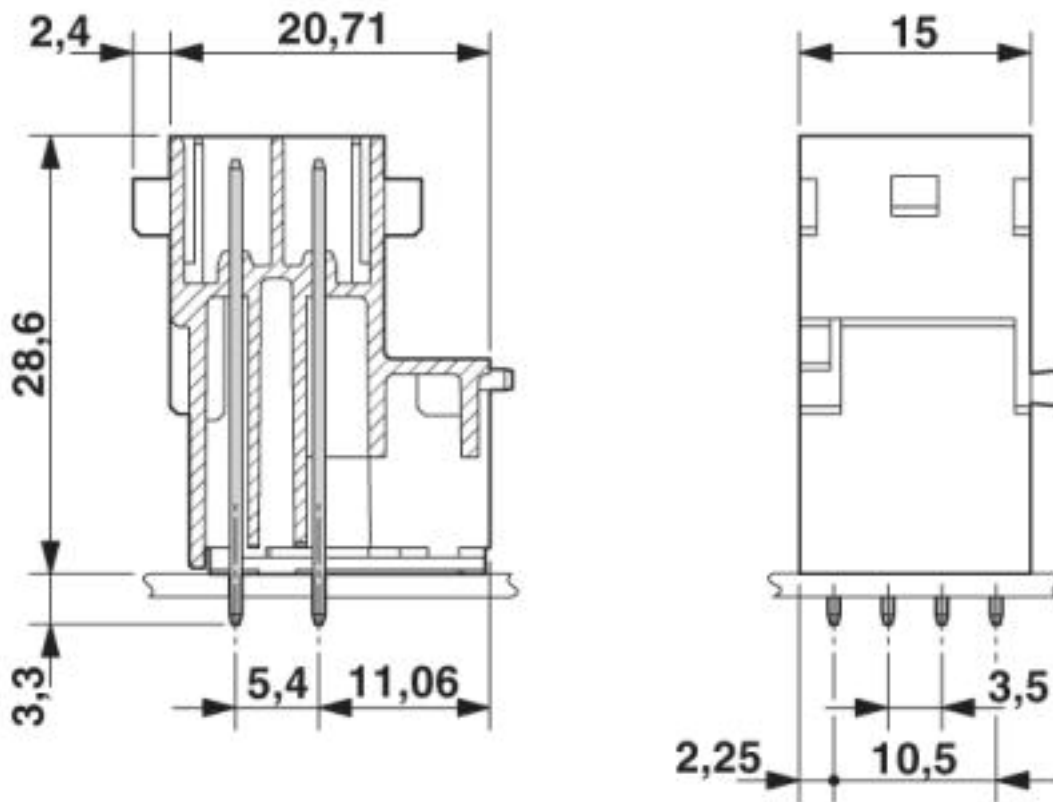
Contact insert - VC-AMLV 8 - 1884885

Drilling diagram



Contact insert - VC-AMLV 8 - 1884885

Dimensioned drawing



© Phoenix Contact 2013 - all rights reserved
<http://www.phoenixcontact.com>