

# Base strip - DFK-MSTBA 2,5/ 2-G-5,08 - 1898839

Please be informed that the data shown in this PDF Document is generated from our Online Catalog. Please find the complete data in the user's documentation. Our General Terms of Use for Downloads are valid (<http://download.phoenixcontact.com>)



Header, Nominal current: 12 A, Rated voltage (III/2): 320 V, Number of positions: 2, Pitch: 5.08 mm, Color: green, Contact surface: Tin, Assembly: Soldering

The figure shows a 10-position version of the product

## Product Features

- Outside: plug-in connection for the corresponding MSTB 2,5 or FKC 2,5 plugs
- Inside: with horizontal or vertical solder connection
- Inside of the housing is protected against dust by the seal provided
- Mounting from the inside of the device through the housing panel
- Headers for assembly in a device/housing panel

## Key commercial data

|                         |               |
|-------------------------|---------------|
| <b>package_quantity</b> | 50            |
| <b>GTIN</b>             | 4017918186005 |

## Technical data

### Dimensions

|                    |         |
|--------------------|---------|
| <b>Length</b>      | 12 mm   |
| <b>Pitch</b>       | 5.08 mm |
| <b>Dimension a</b> | 5.08 mm |

### General

|  |                    |
|--|--------------------|
| <b>Range of articles</b>                       | DFK-MSTBA 2,5/..-G |
| <b>Insulating material group</b>               | IIIa               |
| <b>Rated surge voltage (III/3)</b>             | 4 kV               |
| <b>Rated surge voltage (III/2)</b>             | 4 kV               |
| <b>Rated surge voltage (II/2)</b>              | 4 kV               |
| <b>Rated voltage (III/3)</b>                   | 250 V              |
| <b>Rated voltage (III/2)</b>                   | 320 V              |
| <b>Rated voltage (II/2)</b>                    | 400 V              |
| <b>Connection in acc. with standard</b>        | EN-VDE             |
| <b>Nominal current I<sub>N</sub></b>           | 12 A               |
| <b>Maximum load current</b>                    | 12 A               |
| <b>Insulating material</b>                     | PBT                |
| <b>Inflammability class according to UL 94</b> | V0                 |

# Base strip - DFK-MSTBA 2,5/ 2-G-5,08 - 1898839

## Technical data

### General

|                            |       |
|----------------------------|-------|
| <b>Color</b>               | green |
| <b>Number of positions</b> | 2     |

## classifications

### eCl@ss

|                   |          |
|-------------------|----------|
| <b>eCl@ss 4.0</b> | 272607xx |
| <b>eCl@ss 4.1</b> | 27260701 |
| <b>eCl@ss 5.0</b> | 27260701 |
| <b>eCl@ss 5.1</b> | 27141190 |
| <b>eCl@ss 6.0</b> | 27260704 |
| <b>eCl@ss 7.0</b> | 27440402 |
| <b>eCl@ss 8.0</b> | 27440402 |

### ETIM

|                 |          |
|-----------------|----------|
| <b>ETIM 3.0</b> | EC001283 |
| <b>ETIM 4.0</b> | EC001283 |
| <b>ETIM 5.0</b> | EC001283 |


### UNSPSC

|                      |          |
|----------------------|----------|
| <b>UNSPSC 6.01</b>   | 30211810 |
| <b>UNSPSC 7.0901</b> | 39121409 |
| <b>UNSPSC 11</b>     | 39121409 |
| <b>UNSPSC 12.01</b>  | 39121409 |
| <b>UNSPSC 13.2</b>   | 39121409 |

## approvals

UL Recognized / VDE Gutachten mit Fertigungsüberwachung / cUL Recognized / GOST / IECEE CB Scheme / GOST / CCA / cULus Recognized /

### Approval details

|  |          |          |
|--|----------|----------|
| <b>UL Recognized</b>  |          |          |
| <b>Usegroups</b>   | <b>B</b> | <b>D</b> |
| Nominal voltage UN   | 300 V    | 300 V    |
| Nominal current IN   | 15 A     | 10 A     |
| mm <sup>2</sup> /AWG/kcmil   |          |          |

# Base strip - DFK-MSTBA 2,5/ 2-G-5,08 - 1898839

approvals

**VDE Gutachten mit Fertigungsüberwachung**

|                            |       |
|----------------------------|-------|
| Nominal voltage UN         | 250 V |
| Nominal current IN         | 12 A  |
| mm <sup>2</sup> /AWG/kcmil |       |

**cUL Recognized**

| Usegroups                  | B     | D     |
|----------------------------|-------|-------|
| Nominal voltage UN         | 300 V | 300 V |
| Nominal current IN         | 15 A  | 10 A  |
| mm <sup>2</sup> /AWG/kcmil |       |       |

**GOST**

**IECEE CB Scheme**

|                            |       |
|----------------------------|-------|
| Nominal voltage UN         | 250 V |
| Nominal current IN         | 12 A  |
| mm <sup>2</sup> /AWG/kcmil |       |

**CCA**

|                            |       |
|----------------------------|-------|
| Nominal voltage UN         | 250 V |
| Nominal current IN         | 12 A  |
| mm <sup>2</sup> /AWG/kcmil |       |

**cULus Recognized**

## Base strip - DFK-MSTBA 2,5/ 2-G-5,08 - 1898839

accessories

### Mounting material

DFK-MSTB-SS - 0708263



---

### Coding element

CR-MSTB - 1734401



---

### Filler plug

MSTB-BL - 1755477

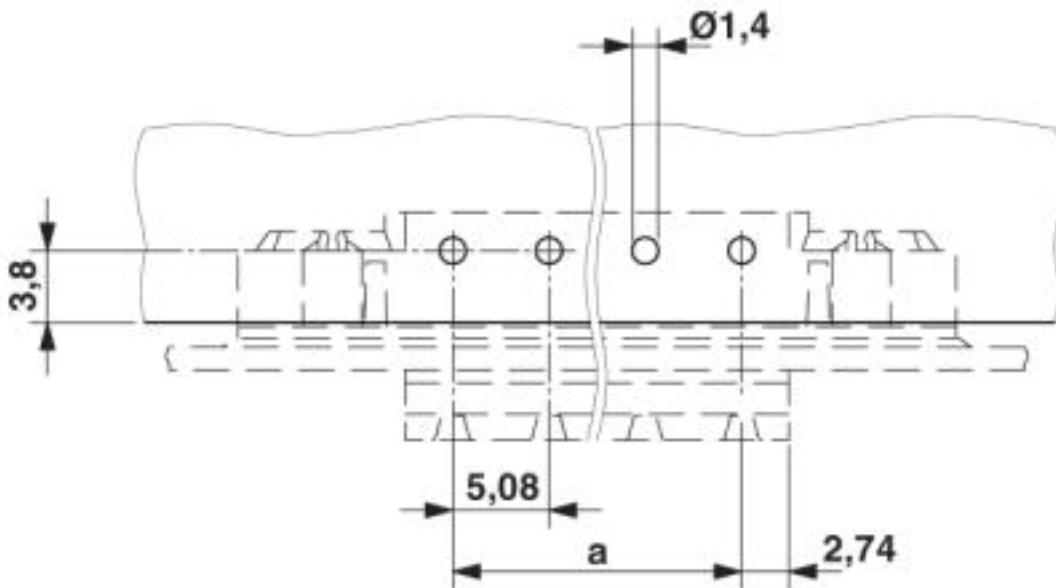


---

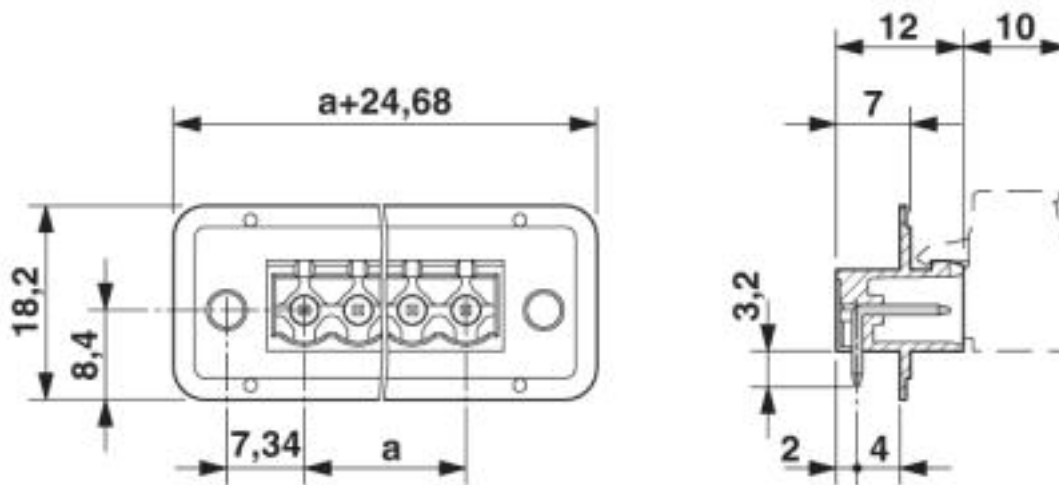
### Drawings

# Base strip - DFK-MSTBA 2,5/ 2-G-5,08 - 1898839

Drilling diagram

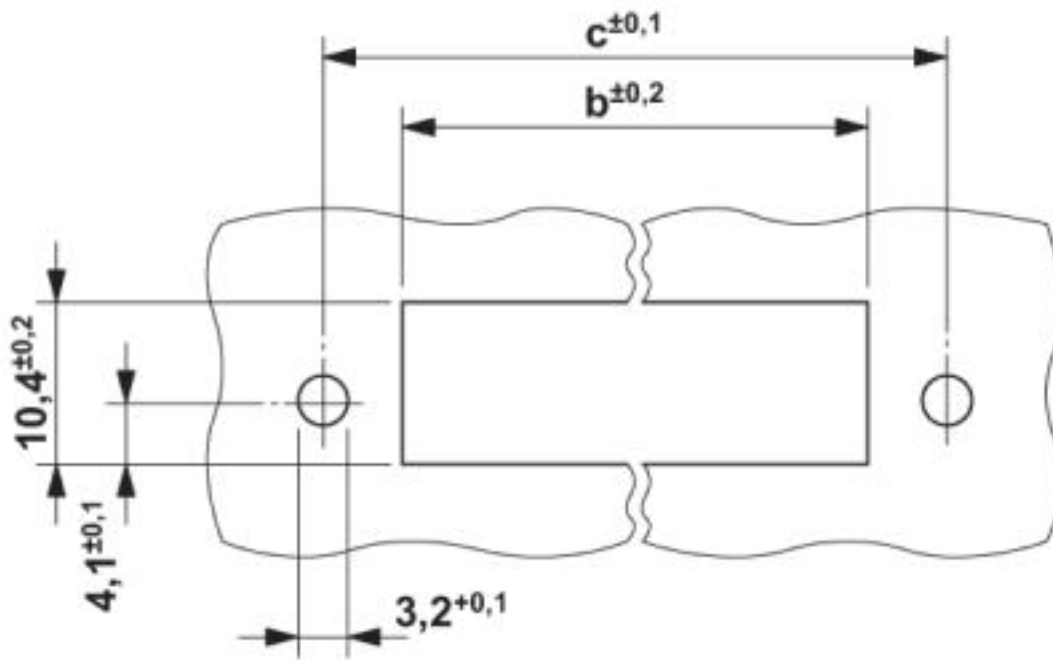


Dimensioned drawing



# Base strip - DFK-MSTBA 2,5/ 2-G-5,08 - 1898839

Dimensioned drawing



Dimension b:  $2.38 \text{ mm} + (\text{no. of pos.} \times 5.08 \text{ mm})$  Dimension c:  $\text{Dim. b} + 7.22 \text{ mm}$

© Phoenix Contact 2013 - all rights reserved  
<http://www.phoenixcontact.com>