

# Passive module - FLKMS 14/ 8IM/PLC - 2284549

Please be informed that the data shown in this PDF Document is generated from our Online Catalog. Please find the complete data in the user's documentation. Our General Terms of Use for Downloads are valid (<http://download.phoenixcontact.com>)



VARIOFACE sensor module, for connecting 8 p-n-p sensors



## Key commercial data

package_quantity	2
GTIN	4017918055714

## Technical data

### Dimensions

Width	57 mm
Height	90 mm
Depth	81 mm

### Ambient conditions

Ambient temperature (operation)	-20 °C ... 50 °C
Ambient temperature (storage/transport)	-20 °C ... 70 °C

### General

Nominal voltage $U_N$	< 50 V AC
Nominal voltage $U_N$	60 V DC
Max. current carrying capacity per branch	1 A
Max. total current of voltage supply	3 A
Number of positions	14
Status display	No
Test voltage	500 V (50 Hz, 1 min.)
Mounting position	Any
Standards/regulations	IEC 60664
Standards/regulations	DIN EN 50178
Standards/regulations	IEC 62103
Pollution degree	2
Surge voltage category	II

### Connection data for connection 1

# Passive module - FLKMS 14/ 8IM/PLC - 2284549

## Technical data

### Connection data for connection 1

Connection name	Field level
Connection in acc. with standard	IEC / EN
Connection method	Screw connection
Conductor cross section solid min.	0.2 mm <sup>2</sup>
Conductor cross section solid max.	4 mm <sup>2</sup>
Conductor cross section stranded min.	0.2 mm <sup>2</sup>
Conductor cross section stranded max.	2.5 mm <sup>2</sup>
Conductor cross section AWG/kcmil min.	24
Conductor cross section AWG/kcmil max	12
Stripping length	8 mm
Screw thread	M3

## classifications

### eCl@ss

eCl@ss 4.0	27250313
eCl@ss 4.1	27250313
eCl@ss 5.0	27250313
eCl@ss 5.1	27250313
eCl@ss 6.0	27371601
eCl@ss 7.0	27371601
eCl@ss 8.0	27371601

### ETIM

ETIM 2.0	EC001437
ETIM 3.0	EC001437
ETIM 4.0	EC001437
ETIM 5.0	EC001437

### UNSPSC

UNSPSC 6.01	30211824
UNSPSC 7.0901	39121421
UNSPSC 11	39121421
UNSPSC 12.01	39121421
UNSPSC 13.2	39121421

## approvals

---

UL Recognized / cUL Recognized / GOST / cULus Recognized /

---

### Approval details

# Passive module - FLKMS 14/ 8IM/PLC - 2284549

approvals

UL Recognized

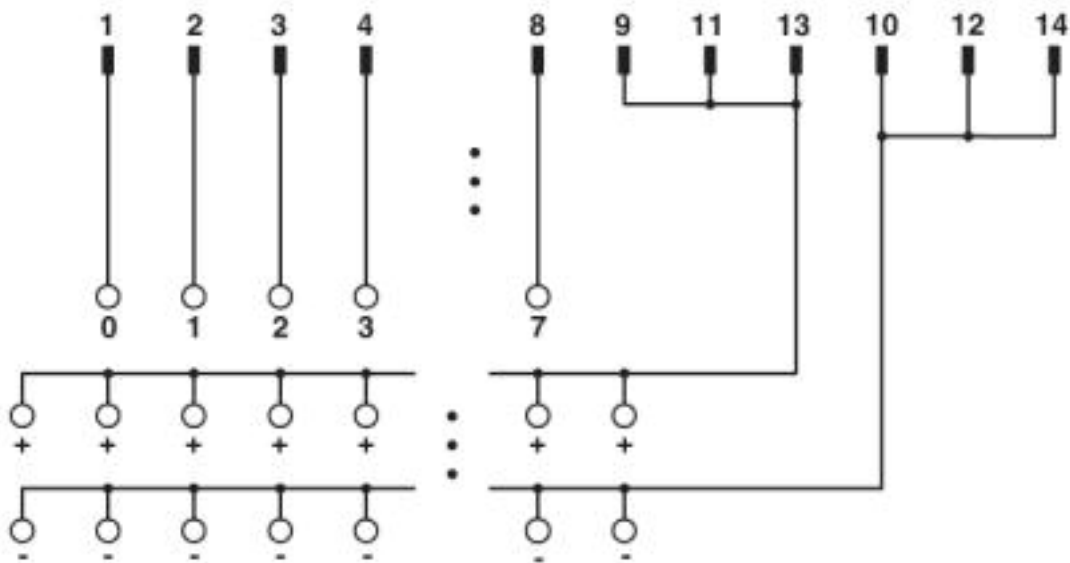
cUL Recognized

GOST

cULus Recognized

## Drawings

Circuit diagram



FLKMS 14/8IM/PLC connection scheme

© Phoenix Contact 2013 - all rights reserved  
<http://www.phoenixcontact.com>