

Interface module - FLKM 14/8P/PLC - 2290410

Please be informed that the data shown in this PDF Document is generated from our Online Catalog. Please find the complete data in the user's documentation. Our General Terms of Use for Downloads are valid (<http://download.phoenixcontact.com>)



VARIOFACE interface module, for 8 channels, each with an additional terminal block per signal for a common plus potential



Key commercial data

package_quantity	1
GTIN	4017918058029

Technical data

Dimensions

Width	57 mm
Height	90 mm
Depth	68 mm

Ambient conditions

Ambient temperature (operation)	-20 °C ... 50 °C
Ambient temperature (storage/transport)	-20 °C ... 70 °C

General

Nominal voltage U_N	< 50 V AC
Nominal voltage U_N	60 V DC
Max. current carrying capacity per branch	1 A
Max. total current of voltage supply	3 A
Number of positions	14
Status display	No
Test voltage	500 V (50 Hz, 1 min.)
Mounting position	Any
Standards/regulations	IEC 60664
Standards/regulations	DIN EN 50178
Standards/regulations	IEC 62103
Pollution degree	2
Surge voltage category	II

Connection data for connection 1

Interface module - FLKM 14/8P/PLC - 2290410

Technical data

Connection data for connection 1

Connection name	Field level
Connection method	Screw connection
Conductor cross section solid min.	0.2 mm ²
Conductor cross section solid max.	4 mm ²
Conductor cross section stranded min.	0.2 mm ²
Conductor cross section stranded max.	2.5 mm ²
Conductor cross section AWG/kcmil min.	24
Conductor cross section AWG/kcmil max	12
Stripping length	8 mm
Screw thread	M3

classifications

eCl@ss

eCl@ss 4.0	27250313
eCl@ss 4.1	27250313
eCl@ss 5.0	27250313
eCl@ss 5.1	27250313
eCl@ss 6.0	27242608
eCl@ss 7.0	27141152
eCl@ss 8.0	27141152

ETIM

ETIM 2.0	EC001434
ETIM 3.0	EC001604
ETIM 4.0	EC001604
ETIM 5.0	EC002780

UNSPSC

UNSPSC 6.01	30211824
UNSPSC 7.0901	39121421
UNSPSC 11	39121421
UNSPSC 12.01	39121421
UNSPSC 13.2	39121421

approvals

UL Recognized / cUL Recognized / GOST / cULus Recognized /

Approval details

Interface module - FLKM 14/8P/PLC - 2290410

approvals

UL Recognized

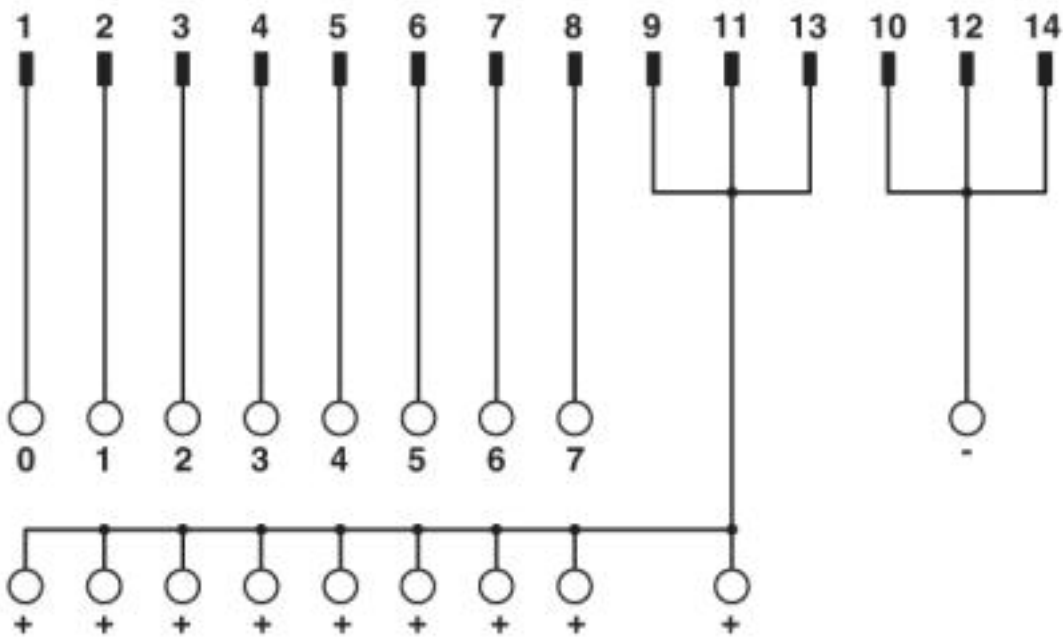
cUL Recognized

GOST

cULus Recognized

Drawings

Circuit diagram



Connection scheme: FLKM 14/8P/PLC

© Phoenix Contact 2013 - all rights reserved
<http://www.phoenixcontact.com>