

# Electronic housing - UEGH 40/2 - 2757131

Please be informed that the data shown in this PDF Document is generated from our Online Catalog. Please find the complete data in the user's documentation. Our General Terms of Use for Downloads are valid (<http://download.phoenixcontact.com>)



Electronic housing, double-level, fully equipped with 12 screw connections per side for two printed circuit boards

The illustration shows version UEGH 40/1

## Product Features

- Increased number of positions thanks to optional UEGM-MT FS slip-on connections
- Can accommodate up to two PCBs
- Efficient assembly thanks to overlapping housing parts
- Can be snapped onto standard NS 35/7,5 and NS 35/15 DIN rails

## Key commercial data

<b>package_quantity</b>	10
<b>GTIN</b>	4017918104825

## Technical data

### General

<b>Housing type</b>	Complete housing
<b>Housing material</b>	Polyamide (PA 6.6)
<b>Color</b>	green

### Ambient conditions

<b>Ambient temperature (operation)</b>	-40 °C ... 105 °C
--	-------------------

### Dimensions

<b>Length</b>	79 mm
<b>Constructional height</b>	106.7 mm
<b>Width</b>	40 mm
<b>Pitch</b>	5 mm

### Technical data

<b>Connection in acc. with standard</b>	CUL
<b>Nominal voltage <math>U_N</math></b>	300 V
<b>Nominal current <math>I_N</math></b>	10 A
<b>AWG/kcmil</b>	30-12
<b>Indicator1</b>	CUL1
<b>Inflammability class according to UL 94</b>	V0

# Electronic housing - UEGH 40/2 - 2757131

## Technical data

### Technical data

<b>Power dissipation at 20°C in the horizontal mounting position</b>	6.1 W 9.1 W
<b>Number of positions</b>	24

### Connection data

<b>Conductor cross section solid min.</b>	0.2 mm <sup>2</sup>
<b>Conductor cross section solid max.</b>	4 mm <sup>2</sup>
<b>Conductor cross section stranded min.</b>	0.2 mm <sup>2</sup>
<b>Conductor cross section stranded max.</b>	2.5 mm <sup>2</sup>
<b>Conductor cross section AWG/kcmil min.</b>	24
<b>Conductor cross section AWG/kcmil max</b>	12
<b>Stripping length</b>	8 mm

## classifications

### eCl@ss

<b>eCl@ss 4.0</b>	27180401
<b>eCl@ss 4.1</b>	27180401
<b>eCl@ss 5.0</b>	27180506
<b>eCl@ss 5.1</b>	27180506
<b>eCl@ss 6.0</b>	27180802
<b>eCl@ss 7.0</b>	27182702
<b>eCl@ss 8.0</b>	27182702

### ETIM

<b>ETIM 2.0</b>	EC001031
<b>ETIM 3.0</b>	EC001031
<b>ETIM 4.0</b>	EC001031
<b>ETIM 5.0</b>	EC001031

### UNSPSC

<b>UNSPSC 6.01</b>	31261501
<b>UNSPSC 7.0901</b>	31261501
<b>UNSPSC 11</b>	31261501
<b>UNSPSC 12.01</b>	31261501
<b>UNSPSC 13.2</b>	31261501

## approvals

---

UL Recognized / cUL Recognized / GOST / GOST / cULus Recognized /

---

### Approval details

# Electronic housing - UEGH 40/2 - 2757131

approvals

UL Recognized

cUL Recognized

Usegroups	B	D
Nominal voltage UN	300 V	300 V
Nominal current IN	10 A	10 A
mm <sup>2</sup> /AWG/kcmil	30-12	30-12

GOST

cULus Recognized

accessories

**Bridge**

DB 50- 90 GY - 2820929



accessories

-

# Electronic housing - UEGH 40/2 - 2757131

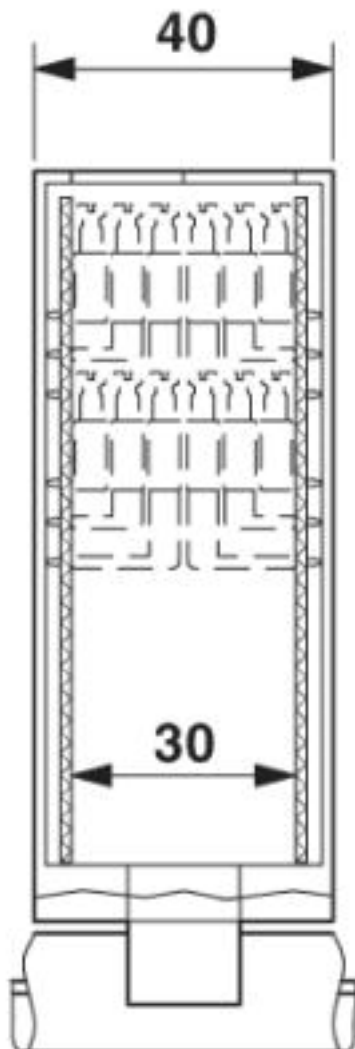
accessories

-

---

## Drawings

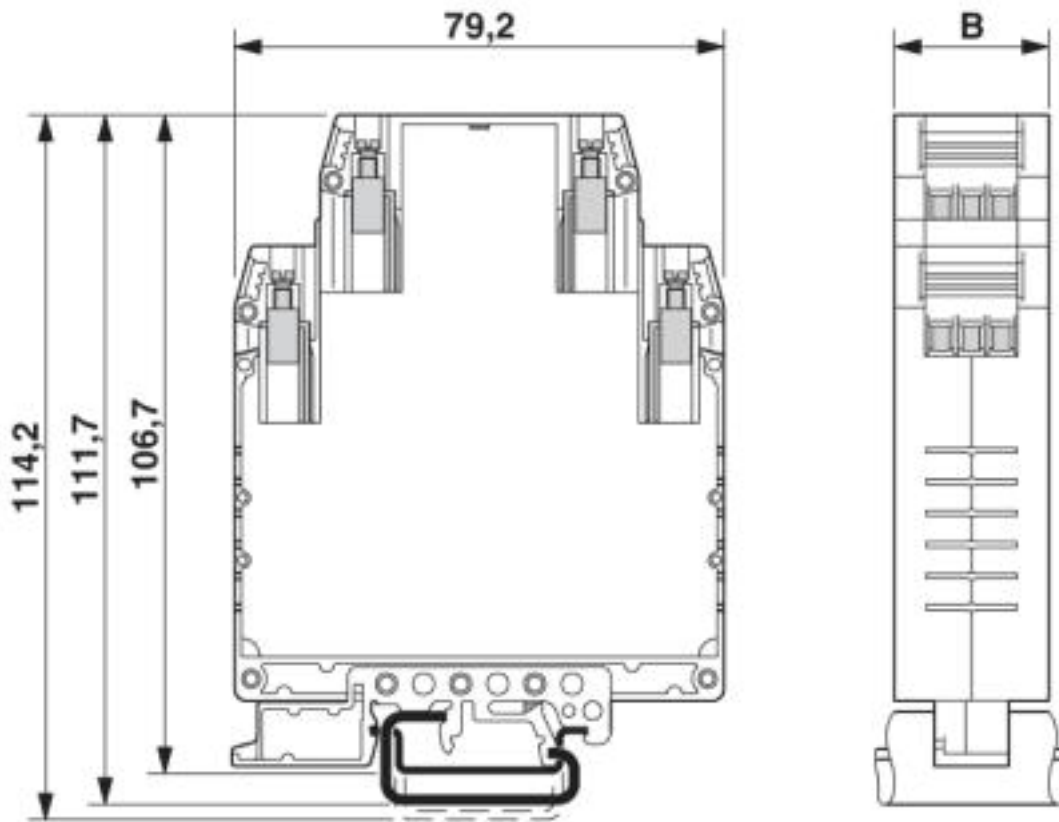
Dimensioned drawing



Enlarged internal area, for 2 PCBs, 24 positions

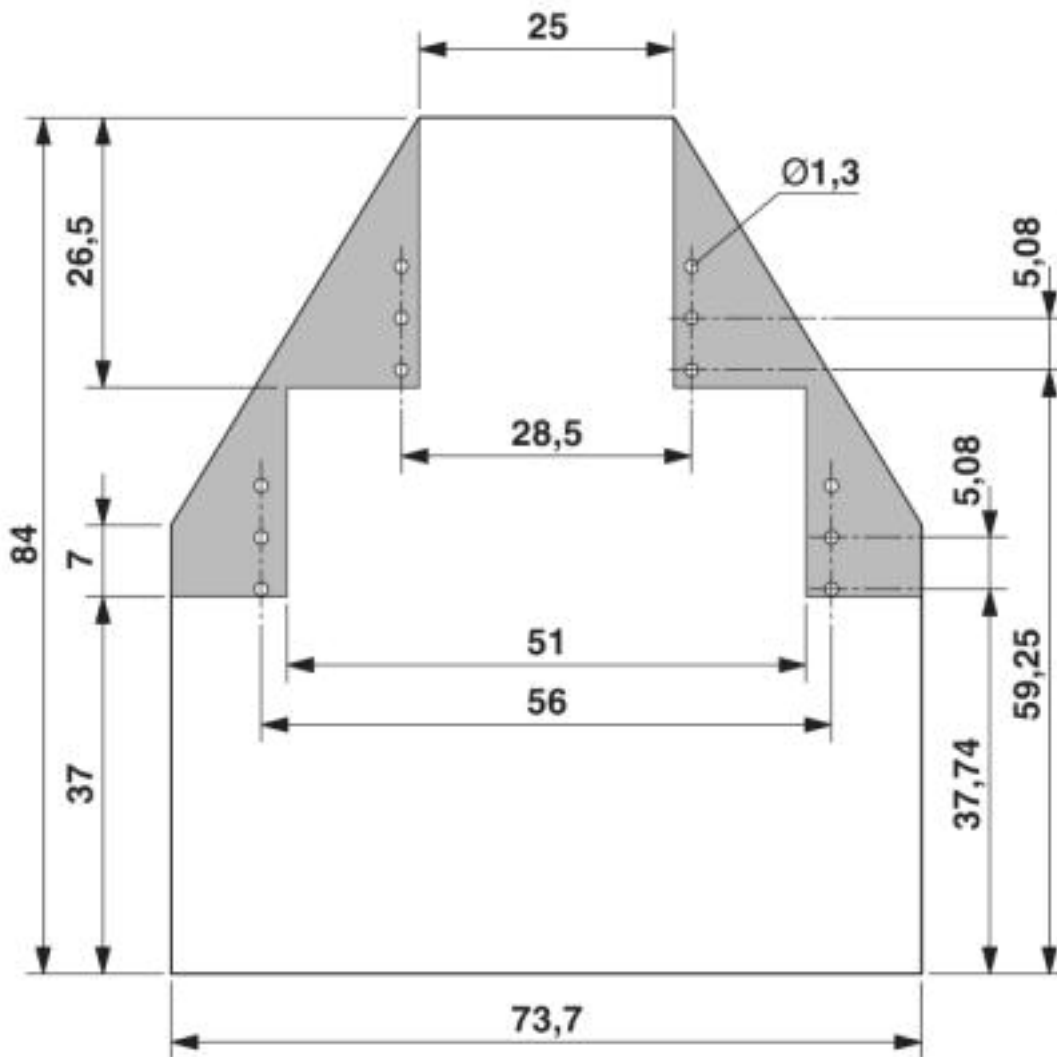
# Electronic housing - UEGH 40/2 - 2757131

Dimensioned drawing



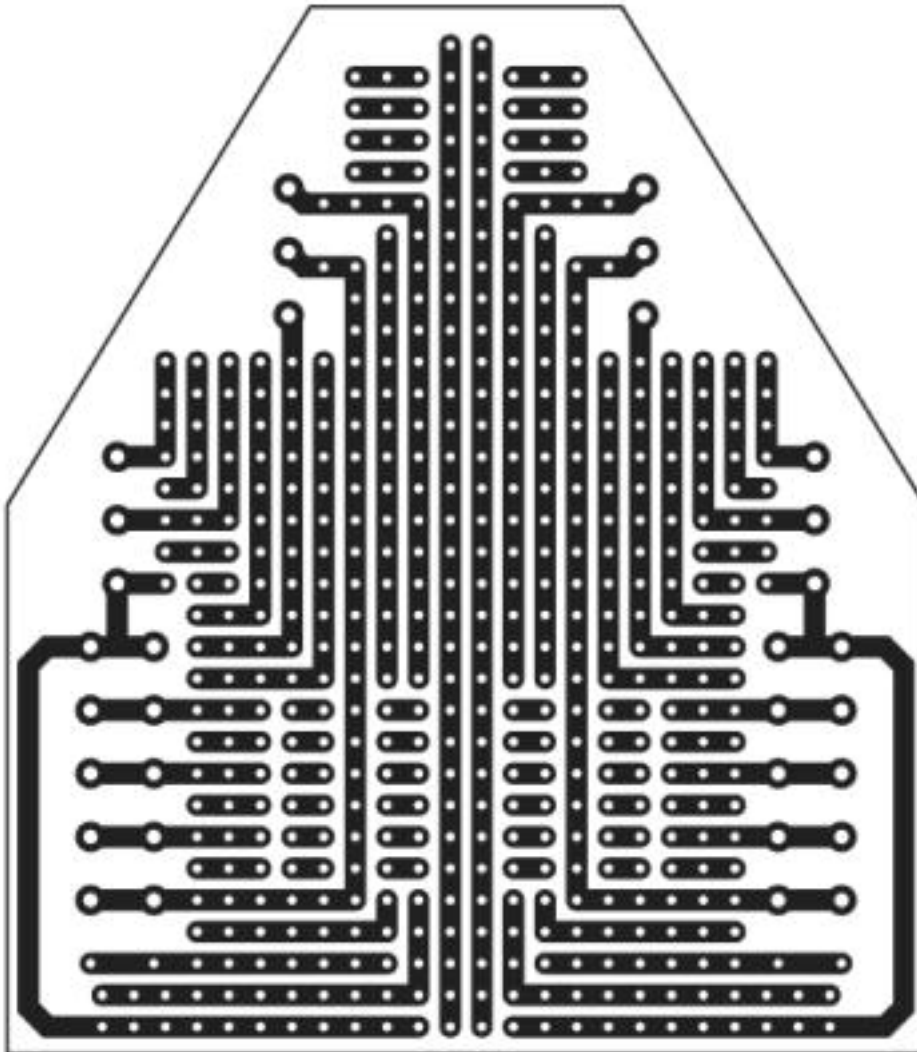
# Electronic housing - UEGH 40/2 - 2757131

Dimensioned drawing



## Electronic housing - UEGH 40/2 - 2757131

Schematic diagram



© Phoenix Contact 2013 - all rights reserved  
<http://www.phoenixcontact.com>