

Electronic housing - EG 22,5-A/PC GN - 2764823

Please be informed that the data shown in this PDF Document is generated from our Online Catalog. Please find the complete data in the user's documentation. Our General Terms of Use for Downloads are valid (<http://download.phoenixcontact.com>)



Housing cover, for connection on both sides

Illustration shows a fully mounted version of the electronic housing

Product Features

- Tool-free mounting
- Optimum accommodation of electronic components with graded pitches with a design width of 22.5 mm, 45 mm, 67.5 mm, and 90 mm
- Practical and easy-to-wire conductor connection using extra finely stranded sturdy screw terminal blocks up to 2.5 mm²
- Fast snap-on mounting on symmetrical DIN rails according to EN 60715
- Functional and industry-oriented housing technology
- Date of manufacture and material and part identification embossed on the housing (recyclability)
- Shock and contamination-proof accommodation of electronic components (IP40 housing, IP20 terminal blocks)

Key commercial data

| | |
|-------------------------|---------------|
| package_quantity | 10 |
| GTIN | 4017918131883 |

Technical data

General

| | |
|---------------------|------------|
| Housing type | Upper part |
| Color | green |

Dimensions

| | |
|------------------------------|---------|
| Constructional height | 17.5 mm |
| Width | 22.5 mm |

Technical data

| | |
|--|----|
| Inflammability class according to UL 94 | HB |
| Number of positions | 8 |

classifications

eCl@ss

| | |
|-------------------|----------|
| eCl@ss 4.0 | 27180401 |
| eCl@ss 4.1 | 27180401 |

Electronic housing - EG 22,5-A/PC GN - 2764823

classifications

eCl@ss

| | |
|------------|----------|
| eCl@ss 5.0 | 27180506 |
| eCl@ss 5.1 | 27180506 |
| eCl@ss 6.0 | 27180802 |
| eCl@ss 7.0 | 27182702 |
| eCl@ss 8.0 | 27182702 |

ETIM

| | |
|----------|----------|
| ETIM 2.0 | EC001031 |
| ETIM 3.0 | EC001031 |
| ETIM 4.0 | EC001031 |
| ETIM 5.0 | EC000886 |

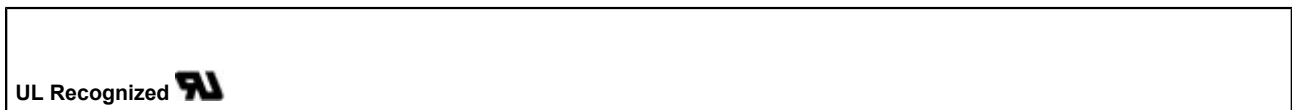
UNSPSC

| | |
|---------------|----------|
| UNSPSC 6.01 | 31261501 |
| UNSPSC 7.0901 | 31261501 |
| UNSPSC 11 | 31261501 |
| UNSPSC 12.01 | 31261501 |
| UNSPSC 13.2 | 31261501 |

approvals

UL Recognized /

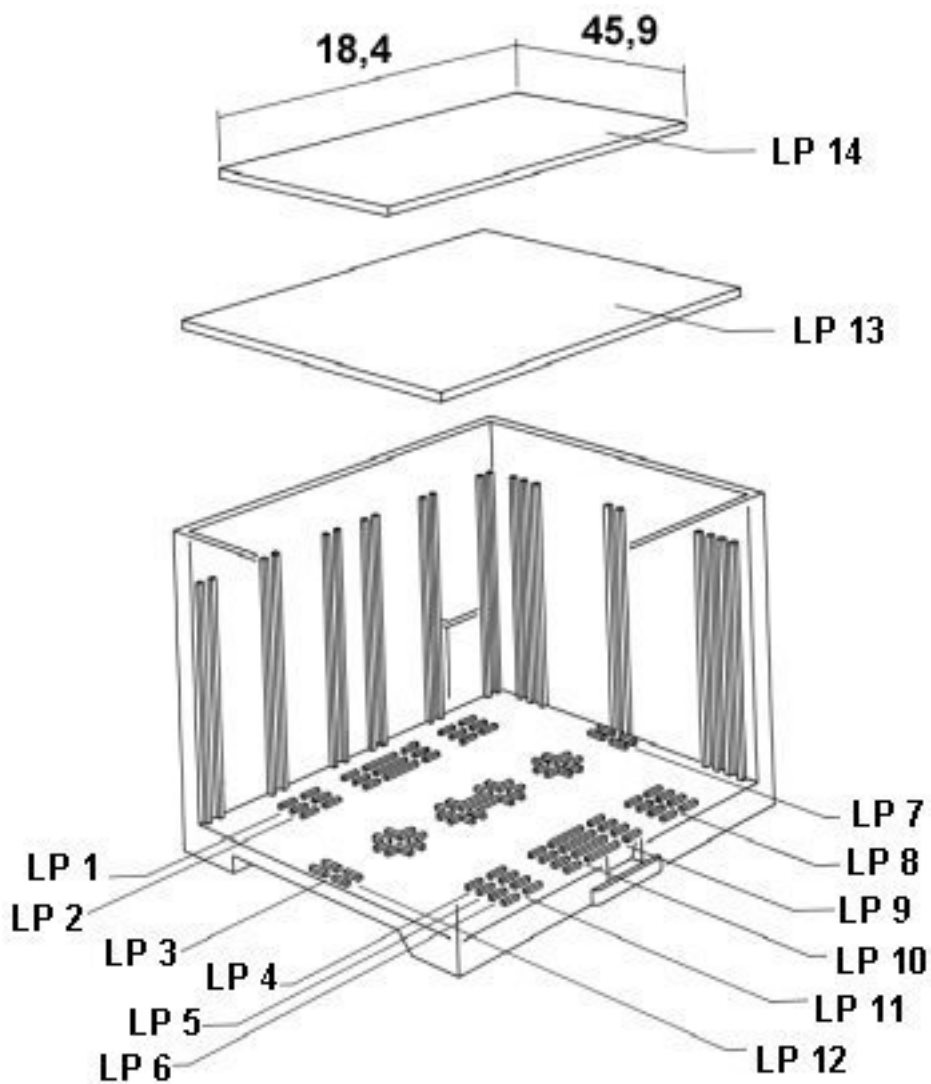
Approval details



Drawings

Electronic housing - EG 22,5-A/PC GN - 2764823

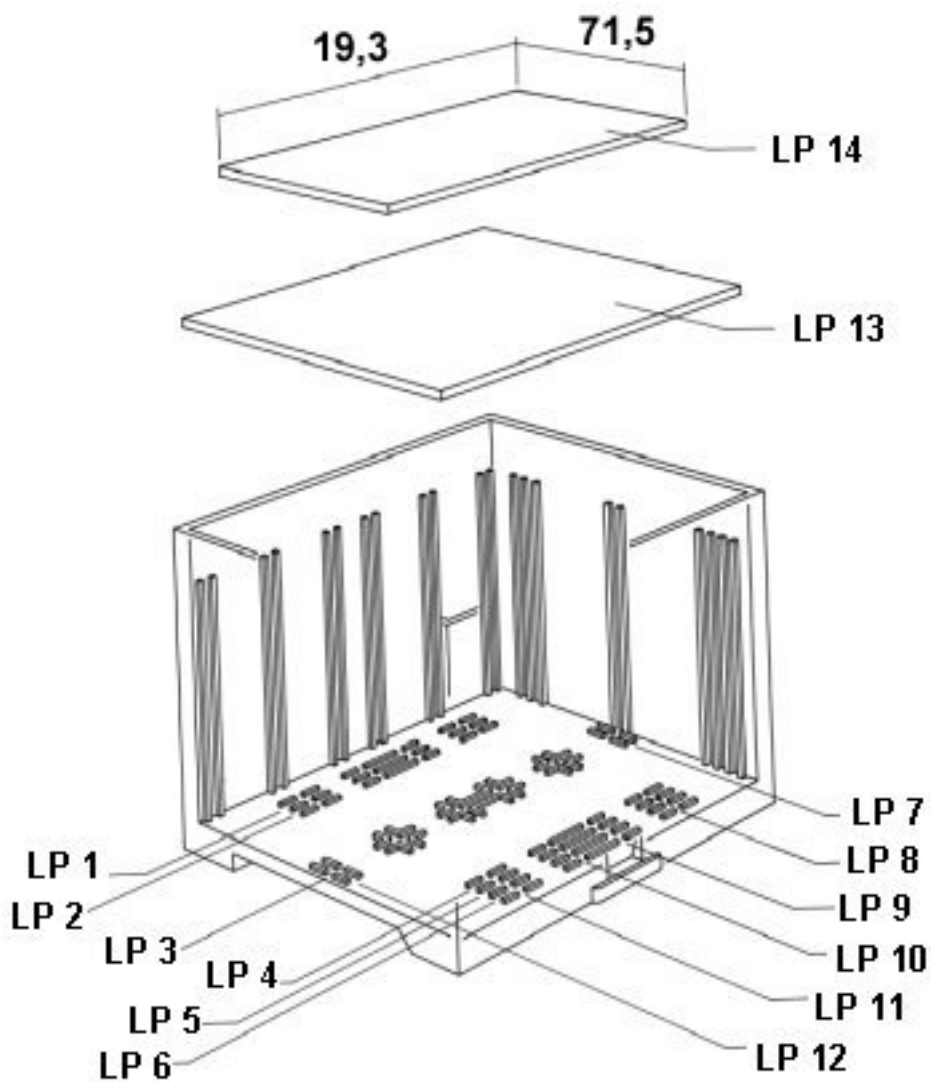
Explosion drawing



valid for PCB 14

Electronic housing - EG 22,5-A/PC GN - 2764823

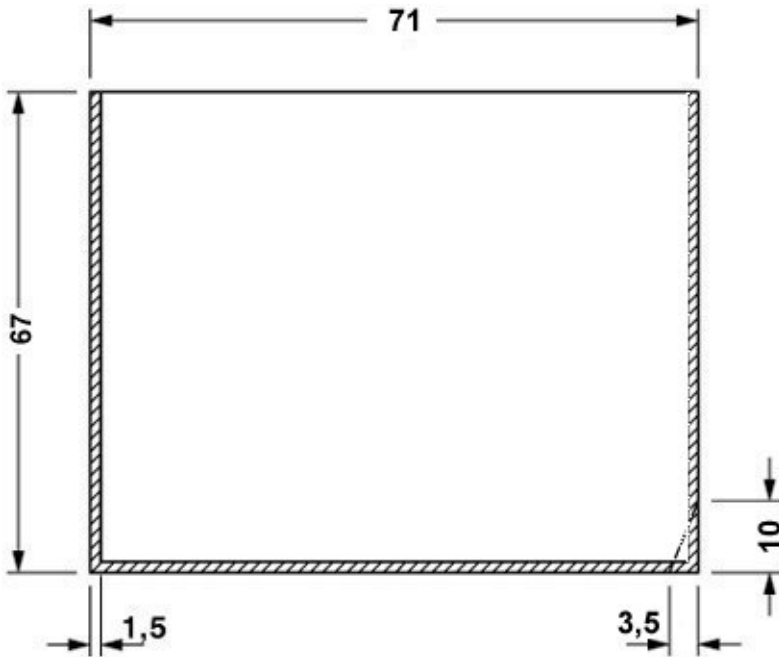
Explosion drawing



valid for PCB 13

Electronic housing - EG 22,5-A/PC GN - 2764823

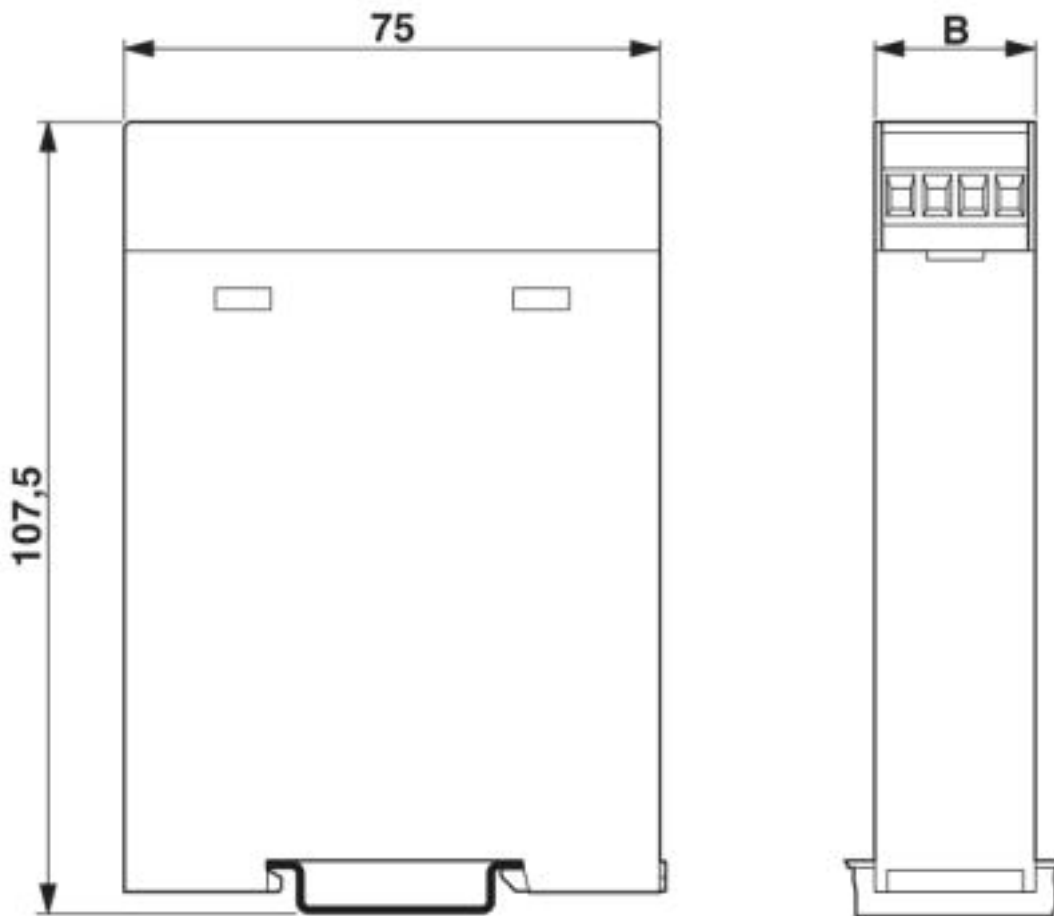
Dimensioned drawing



valid for PCB 7, see explosion drawing

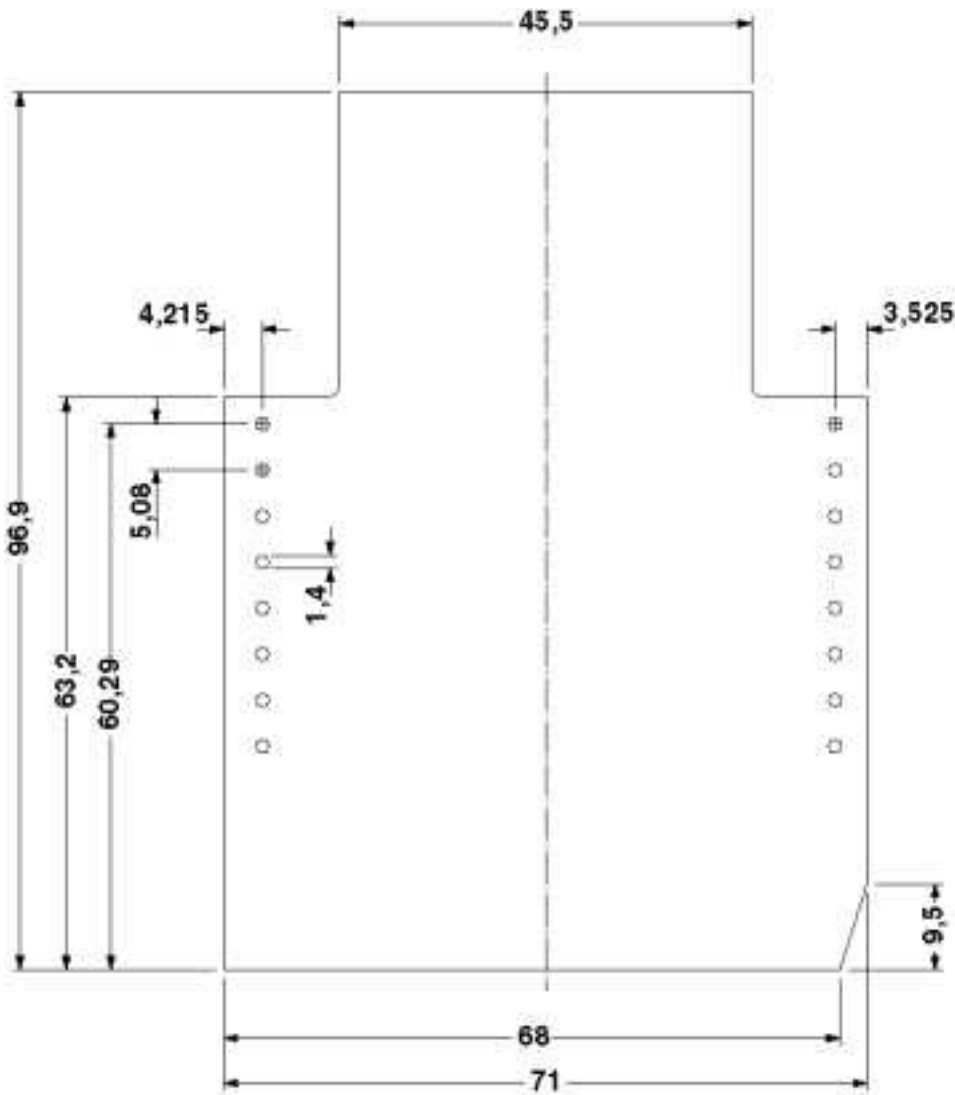
Electronic housing - EG 22,5-A/PC GN - 2764823

Dimensioned drawing



Electronic housing - EG 22,5-A/PC GN - 2764823

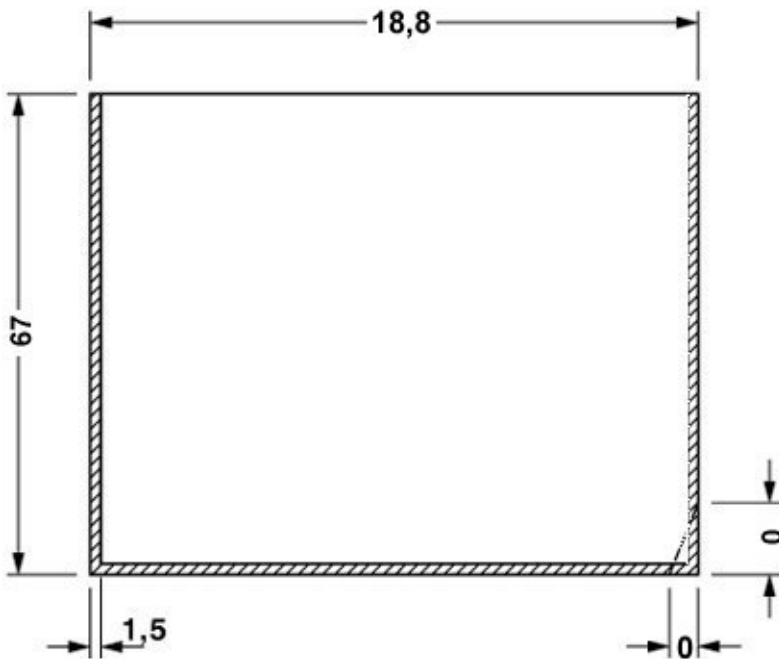
Dimensioned drawing



Component mounting side, if the double-level upper part is used

Electronic housing - EG 22,5-A/PC GN - 2764823

Dimensioned drawing



valid for PCB 1, see explosion drawing

© Phoenix Contact 2013 - all rights reserved
<http://www.phoenixcontact.com>