

# D-SUB bus connector - SUBCON-PLUS-PROFIB/AX/ M12 - 2902321

Please be informed that the data shown in this PDF Document is generated from our Online Catalog. Please find the complete data in the user's documentation. Our General Terms of Use for Downloads are valid (<http://download.phoenixcontact.com>)



D-SUB plug, 9-pos., pin, assignment: 3, 5, 6, 8; two M12 cable glands (B-coded) under 180° (axial).  
Bus system: PROFIBUS DP up to 12 Mbps. Termination resistor via separate M12 terminator.

## Your advantages

- ✔ Quick connection thanks to M12-SPEEDCON fast locking system
- ✔ Through-contacted shielding from M12 to D-SUB



## Key commercial data

package_quantity	1
GTIN	4046356655057

## Technical data

### Dimensions

Width	16 mm
Height	75 mm
Length	38 mm

### Ambient conditions

Ambient temperature (operation)	-30 °C ... 80 °C
Ambient temperature (storage/transport)	-40 °C ... 85 °C
Ambient temperature (assembly)	-20 °C ... 80 °C
Permissible humidity (operation)	10 % ... 75 % (At +25°C, non-condensing)
Altitude	5000 m (For restrictions see manufacturer's declaration)

### General

Bus system	PROFIBUS DP
Signal	PROFIBUS
SUBCON fixing screws	4-40 UNC
Tightening torque	0.4 Nm
Housing material	Polyamide
Pin assignment	3, 5, 6, 8

# D-SUB bus connector - SUBCON-PLUS-PROFIB/AX/ M12 - 2902321

## Technical data

### General

<b>MTTF</b>	6706 Years (SN 29500 standard, temperature 25 °C, operating cycle 21 % (5 days a week, 8 hours a day))
<b>MTTF</b>	1817 Years (SN 29500 standard, temperature 40 °C, operating cycle 34.25 % (5 days a week, 12 hours a day))
<b>MTTF</b>	155 Years (SN 29500 standard, temperature 40 °C, operating cycle 100 % (7 days a week, 24 hours a day))

### Connection data

<b>Connection</b>	D-SUB connection
<b>Number of positions</b>	9
<b>Connection method</b>	D-SUB connector
<b>Termination resistor</b>	separately via M12 termination resistor
<b>Connection</b>	M12 plug
<b>Number of positions</b>	5
<b>Connection method</b>	M12 connector, B-coded
<b>Torque</b>	0.4 Nm
<b>Connection</b>	M12 socket
<b>Number of positions</b>	5
<b>Connection method</b>	M12 connector, B-coded
<b>Torque</b>	0.4 Nm

### Environmental Product Compliance

<b>China RoHS</b>	Environmentally friendly use period: unlimited = EFUP-e
<b>China RoHS</b>	No hazardous substances above threshold values

## Classifications

### eCl@ss

<b>eCl@ss 4.0</b>	27140816
<b>eCl@ss 4.1</b>	27140816
<b>eCl@ss 5.0</b>	27143424
<b>eCl@ss 5.1</b>	27143424
<b>eCl@ss 6.0</b>	27143424
<b>eCl@ss 7.0</b>	27440209
<b>eCl@ss 8.0</b>	27440302
<b>eCl@ss 9.0</b>	27440302

### ETIM

<b>ETIM 3.0</b>	EC001132
<b>ETIM 4.0</b>	EC001132
<b>ETIM 5.0</b>	EC001132
<b>ETIM 6.0</b>	EC001132

### UNSPSC

# D-SUB bus connector - SUBCON-PLUS-PROFIB/AX/ M12 - 2902321

## Classifications

### UNSPSC

UNSPSC 6.01	30211802
UNSPSC 7.0901	39121402
UNSPSC 11	39121402
UNSPSC 12.01	39121402
UNSPSC 13.2	39121522

## Accessories

### Terminal resistor

SAC-5P-M12MS PB TR - 1507803



SAC-5P-M12FS PB TR - 1403911



PSI-TERMINATOR-PB-TBUS - 2702636



### Data plug

SUBCON-PLUS-PROFIB/90X/PG/M12 - 2902728



## D-SUB bus connector - SUBCON-PLUS-PROFIB/AX/ M12 - 2902321

### Accessories

SUBCON-PLUS-PROFIB/90/PG/M12 - 2902317



SUBCON-PLUS-PROFIB/35/PG/M12 - 2902319



### Data cable preassembled

SAC-2P-MSB/ 0,3-910/FSB SCO - 1518106



SAC-2P-MSB/ 1,0-910/FSB SCO - 1518122



SAC-2P-MSB/ 5,0-910/FSB SCO - 1518148



## D-SUB bus connector - SUBCON-PLUS-PROFIB/AX/ M12 - 2902321

### Accessories

SAC-2P-FSB SCO/910/... - 1538076



SAC-2P-MSB-FSB SCO/910/... - 1538092



SAC-2P-MSB/ 2,0-910 SCO - 1518025



SAC-2P-FRB SCO/910/... - 1433249



### Screwdriver tools

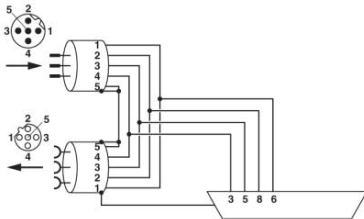
SF-PH 0-60 - 1212558



### Drawings

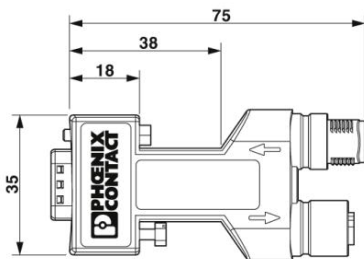
# D-SUB bus connector - SUBCON-PLUS-PROFIB/AX/ M12 - 2902321

## Block diagram



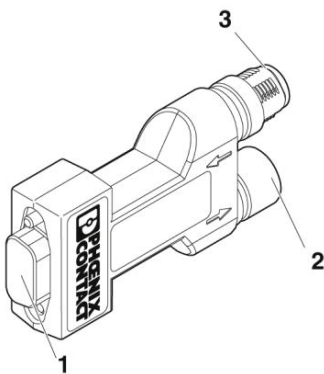
SUBCON-PLUS-PROFIB/...M12 function block diagram

## Dimensional drawing



SUBCON-PLUS...AX...M12 dimensional drawing, axial (180°) version

## Schematic diagram



## Function elements

1 = D-SUB 9

2 = Outgoing M12 connection

3 = Incoming M12 connection

4 = D-SUB PG connection (depending on the version)

Phoenix Contact 2016 © - all rights reserved  
<http://www.phoenixcontact.com>