

# D-SUB bus connector - SUBCON-PLUS-CAN/90/M12 - 2902323

Please be informed that the data shown in this PDF Document is generated from our Online Catalog. Please find the complete data in the user's documentation. Our General Terms of Use for Downloads are valid (<http://download.phoenixcontact.com>)



D-SUB plug, 9-pos., socket, assignment: 2, 3, 5, 6, 7, 9; two M12 cable glands (A-coded) under 90°. Bus system: CAN, CANopen®. Termination resistor via separate M12 terminator.

## Your advantages

- Easy startup, plug and play
- Error-free installation, particularly in standard machine production
- Quick connection thanks to M12-SPEEDCON fast locking system
- Low weight
- CANopen®
- Termination using M12 termination resistor
- Adapter between IP20 and IP67 environments
- Through-contacted shielding from M12 to D-SUB



## Key commercial data

package_quantity	1
GTIN	4046356655033

## Technical data

### Dimensions

Width	16 mm
Height	40 mm
Length	71 mm

### Ambient conditions

Ambient temperature (operation)	-30 °C ... 80 °C
Ambient temperature (storage/transport)	-40 °C ... 85 °C
Ambient temperature (assembly)	-20 °C ... 80 °C
Permissible humidity (operation)	10 % ... 75 % (At +25°C, non-condensing)
Altitude	5000 m (For restrictions see manufacturer's declaration)

### General

Bus system	CAN, CANopen, SafetyBus-P
Signal	CAN
Signal	CANopen®

# D-SUB bus connector - SUBCON-PLUS-CAN/90/M12 - 2902323

## Technical data

### General

<b>SUBCON fixing screws</b>	4-40 UNC
<b>Tightening torque</b>	0.4 Nm
<b>Housing material</b>	Polyamide
<b>Pin assignment</b>	2, 3, 5, 7, 9
<b>MTTF</b>	6706 Years (SN 29500 standard, temperature 25 °C, operating cycle 21 % (5 days a week, 8 hours a day))
<b>MTTF</b>	1817 Years (SN 29500 standard, temperature 40 °C, operating cycle 34.25 % (5 days a week, 12 hours a day))
<b>MTTF</b>	155 Years (SN 29500 standard, temperature 40 °C, operating cycle 100 % (7 days a week, 24 hours a day))

### Connection data

<b>Connection</b>	D-SUB connection
<b>Number of positions</b>	9
<b>Connection method</b>	D-SUB socket
<b>Termination resistor</b>	separately via M12 termination resistor
<b>Connection</b>	M12 plug
<b>Number of positions</b>	5
<b>Connection method</b>	M12 connector, A-coded
<b>Torque</b>	0.4 Nm
<b>Connection</b>	M12 socket
<b>Number of positions</b>	5
<b>Connection method</b>	M12 connector, A-coded
<b>Torque</b>	0.4 Nm

### Environmental Product Compliance

<b>China RoHS</b>	Environmentally friendly use period: unlimited = EFUP-e
<b>China RoHS</b>	No hazardous substances above threshold values

## Classifications

### eCl@ss

<b>eCl@ss 4.0</b>	27140816
<b>eCl@ss 4.1</b>	27140816
<b>eCl@ss 5.0</b>	27143424
<b>eCl@ss 5.1</b>	27143424
<b>eCl@ss 6.0</b>	27143424
<b>eCl@ss 7.0</b>	27440209
<b>eCl@ss 8.0</b>	27440302
<b>eCl@ss 9.0</b>	27440302

### ETIM

<b>ETIM 3.0</b>	EC001132
<b>ETIM 4.0</b>	EC001132

# D-SUB bus connector - SUBCON-PLUS-CAN/90/M12 - 2902323

## Classifications

### ETIM

ETIM 5.0	EC001132
ETIM 6.0	EC001132

### UNSPSC

UNSPSC 6.01	30211802
UNSPSC 7.0901	39121402
UNSPSC 11	39121402
UNSPSC 12.01	39121402
UNSPSC 13.2	39121522

## Accessories

### Terminal resistor

SAC-5P-M12MS CAN TR - 1507816



SAC-5P-M12FS CAN TR - 1529344



### Data plug

SUBCON-PLUS-CAN/90/PG/M12 - 2902322



### Data cable preassembled

## D-SUB bus connector - SUBCON-PLUS-CAN/90/M12 - 2902323

### Accessories

SAC-5P-MS/ 0,3-920/FS SCO - 1518258



SAC-5P-MS/ 1,0-920/FS SCO - 1518274



SAC-5P-MS/ 5,0-920/FS SCO - 1518290



SAC-5P-MS-FS SCO/920/... - 1538157



SAC-5P-MS/ 2,0-920 SCO - 1518177



SAC-5P-MS-FR SCO/920/... - 1433304

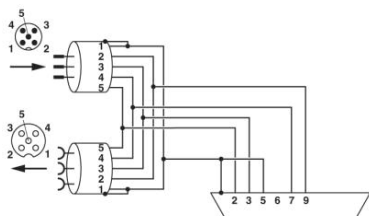


# D-SUB bus connector - SUBCON-PLUS-CAN/90/M12 - 2902323

## Accessories

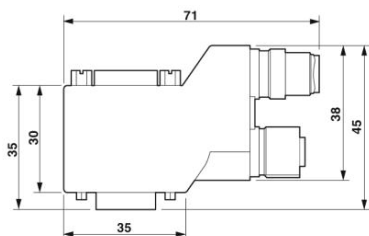
### Drawings

#### Block diagram



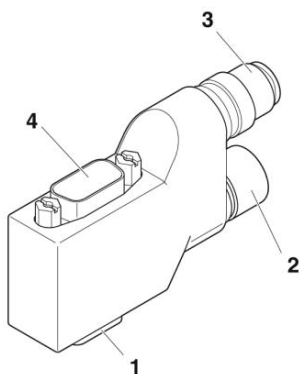
SUBCON-PLUS-CAN/...M12 function block diagram

#### Dimensional drawing



SUBCON-PLUS...90...M12 dimensional drawing, short 90° version

#### Schematic diagram



#### Function elements

- 1 = D-SUB 9
- 2 = Outgoing M12 connection
- 3 = Incoming M12 connection
- 4 = D-SUB PG connection (depending on the version)