

Feed-through terminal block - UKH 95 BU - 3010136

Please be informed that the data shown in this PDF Document is generated from our Online Catalog. Please find the complete data in the user's documentation. Our General Terms of Use for Downloads are valid (<http://download.phoenixcontact.com>)



Feed-through terminal block, Connection method: Screw connection, Cross section: 25 mm² - 95 mm², AWG: 4 - 3/0, Width: 25 mm, Height: 90 mm, Color: blue, Mounting type: NS 35/15, NS 32, NS 35/15-2,3

Product Features

- Reliable cable connection is ensured by three-point centering of the conductor in the prismatic sleeve base
- Low contact resistance of the contact surface due to ribbing
- Screw locking by means of spring-loaded elements in the clamping part



Key commercial data

package_quantity	10
GTIN	4017918091866

Technical data

General

Number of levels	1
Number of connections	2
Color	blue
Insulating material	PA
Inflammability class according to UL 94	V0

General

Maximum load current	232 A (with 95 mm ² conductor cross section)
Rated surge voltage	8 kV
Pollution degree	3
Surge voltage category	III
Insulating material group	I
Connection in acc. with standard	IEC 60947-7-1
Nominal current I _N	232 A
Nominal voltage U _N	1000 V
Open side panel	nein

Dimensions

Width	25 mm
-------	-------

Feed-through terminal block - UKH 95 BU - 3010136

Technical data

Dimensions

Length	83 mm
Height	90 mm
Height NS 35/15	97.5 mm
Height NS 32	95.5 mm

Connection data

Note	Screws with hexagonal socket
Note	Note: Product releases, connection cross sections and notes on connecting aluminum cables can be found in the download area.
Conductor cross section solid min.	25 mm ²
Conductor cross section solid max.	95 mm ²
Conductor cross section AWG/kcmil min.	4
Conductor cross section AWG/kcmil max	3/0
Conductor cross section stranded min.	35 mm ²
Conductor cross section stranded max.	95 mm ²
Min. AWG conductor cross section, stranded	2
Max. AWG conductor cross section, stranded	3/0
Conductor cross section stranded, with ferrule without plastic sleeve min.	35 mm ²
Conductor cross section stranded, with ferrule without plastic sleeve max.	95 mm ²
Conductor cross section stranded, with ferrule with plastic sleeve min.	35 mm ²
Conductor cross section stranded, with ferrule with plastic sleeve max.	95 mm ²
2 conductors with same cross section, solid min.	25 mm ²
2 conductors with same cross section, solid max.	35 mm ²
2 conductors with same cross section, stranded min.	25 mm ²
2 conductors with same cross section, stranded max.	35 mm ²
2 conductors with same cross section, stranded, ferrules without plastic sleeve, min.	16 mm ²
2 conductors with same cross section, stranded, ferrules without plastic sleeve, max.	35 mm ²
Cross section with insertion bridge, solid max.	95 mm ²
Cross section with insertion bridge, stranded max.	70 mm ²
Connection method	Screw connection
Stripping length	33 mm
Screw thread	M8
Tightening torque, min	15 Nm
Tightening torque max	20 Nm

classifications

eCl@ss

Feed-through terminal block - UKH 95 BU - 3010136

classifications

eCl@ss

eCl@ss 4.0	27141120
eCl@ss 4.1	27141120
eCl@ss 5.0	27141120
eCl@ss 5.1	27141120
eCl@ss 6.0	27141120
eCl@ss 7.0	27141120
eCl@ss 8.0	27141120

ETIM

ETIM 2.0	EC000897
ETIM 3.0	EC000897
ETIM 4.0	EC000897
ETIM 5.0	EC000897

UNSPSC


UNSPSC 6.01	30211811
UNSPSC 7.0901	39121410
UNSPSC 11	39121410
UNSPSC 12.01	39121410
UNSPSC 13.2	39121410

approvals

IECEX / ATEX / FM approved / UL Recognized / cUL Recognized / cULus Recognized / CSA / UL Recognized / KEMA-KEUR / cUL Recognized / GL / DNV / RS / PRS / LR / cULus Recognized /

Approval details

IECEX	
Nominal voltage UN	880 V
Nominal current IN	216 A
mm ² /AWG/kcmil	35-95

ATEX 	
Nominal voltage UN	880 V
Nominal current IN	216 A
mm ² /AWG/kcmil	25-95

Feed-through terminal block - UKH 95 BU - 3010136

approvals

FM approved

Nominal voltage UN	600 V
Nominal current IN	210 A
mm ² /AWG/kcmil	2

UL Recognized

Nominal voltage UN	600 V
Nominal current IN	230 A
mm ² /AWG/kcmil	2

cUL Recognized

Nominal voltage UN	600 V
Nominal current IN	230 A
mm ² /AWG/kcmil	2

cULus Recognized

CSA

Usegroups	B	C
Nominal voltage UN	600 V	600 V
Nominal current IN	200 A	200 A
mm ² /AWG/kcmil	2	2

Usegroups	B	C
Nominal voltage UN	600 V	600 V
Nominal current IN	230 A	230 A
mm ² /AWG/kcmil	2	2

Feed-through terminal block - UKH 95 BU - 3010136

approvals

KEMA-KEUR	
Nominal voltage UN	1000 V
Nominal current IN	
mm ² /AWG/kcmil	95

Usegroups	B	C
Nominal voltage UN	600 V	600 V
Nominal current IN	230 A	230 A
mm ² /AWG/kcmil	2	2

GL

DNV

RS

PRS

LR

--

accessories

Labeled terminal marker

WS-4K - 1004584



Feed-through terminal block - UKH 95 BU - 3010136

accessories

ZB 22 CUS - 0824949



Mounting material

UKH 95 EP - 3009231



Pick-off terminal block

AGK 10-UKH 95 - 3003541



Socket spanner

VDE-ISS 6 - 1201934



Marker pen

X-PEN 0,35 - 0811228



Feed-through terminal block - UKH 95 BU - 3010136

accessories

Bridge

EB 3-25/UKH - 0201375



EB 2-25/UKH - 0201362



Mounting rail

NS 32 PERF 2000MM - 1201002



NS 32 UNPERF 2000MM - 1201015



NS 35/15 PERF 2000MM - 1201730



Feed-through terminal block - UKH 95 BU - 3010136

accessories

NS 35/15 UNPERF 2000MM - 1201714



NS 35/15 WH PERF 2000MM - 0806602



NS 35/15 WH UNPERF 2000MM - 1204135



NS 35/15 AL UNPERF 2000MM - 1201756



NS 35/15 ZN PERF 2000MM - 1206599



NS 35/15 ZN UNPERF 2000MM - 1206586



Feed-through terminal block - UKH 95 BU - 3010136

accessories

NS 35/15 CU UNPERF 2000MM - 1201895



NS 35/15 CAP - 1206573



Terminal marking

ZB 22:UNBEDRUCKT - 0811862



End block

E/AL-NS 32 - 1201659



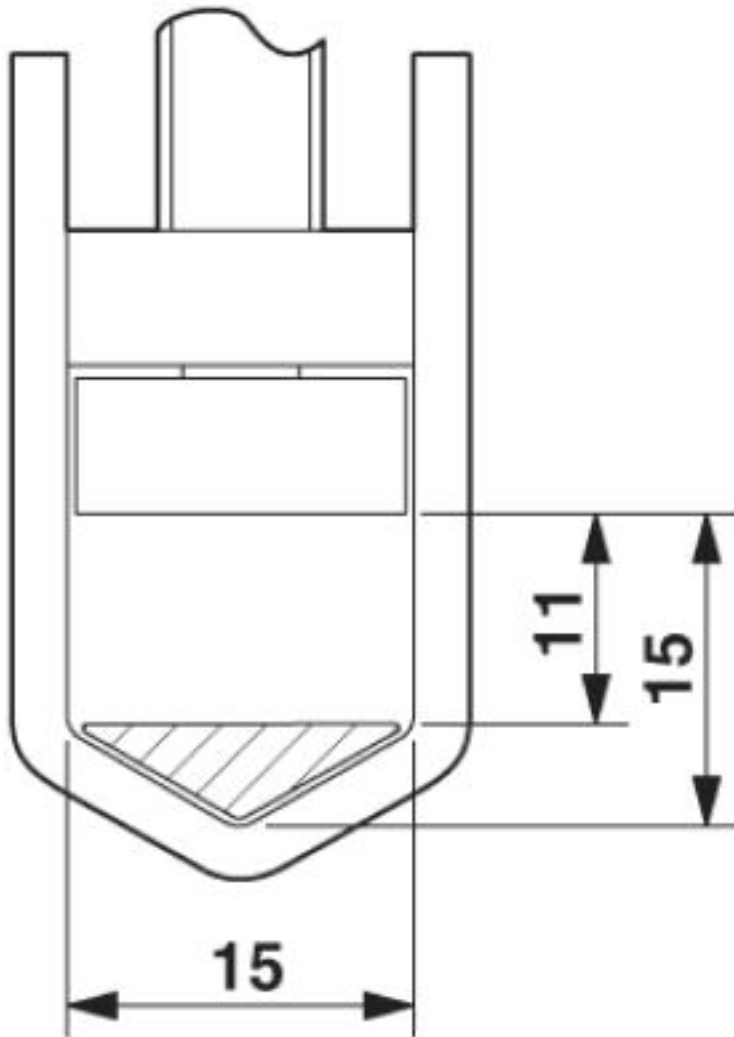
E/AL-NS 35 - 1201662



Drawings

Feed-through terminal block - UKH 95 BU - 3010136

Dimensioned drawing

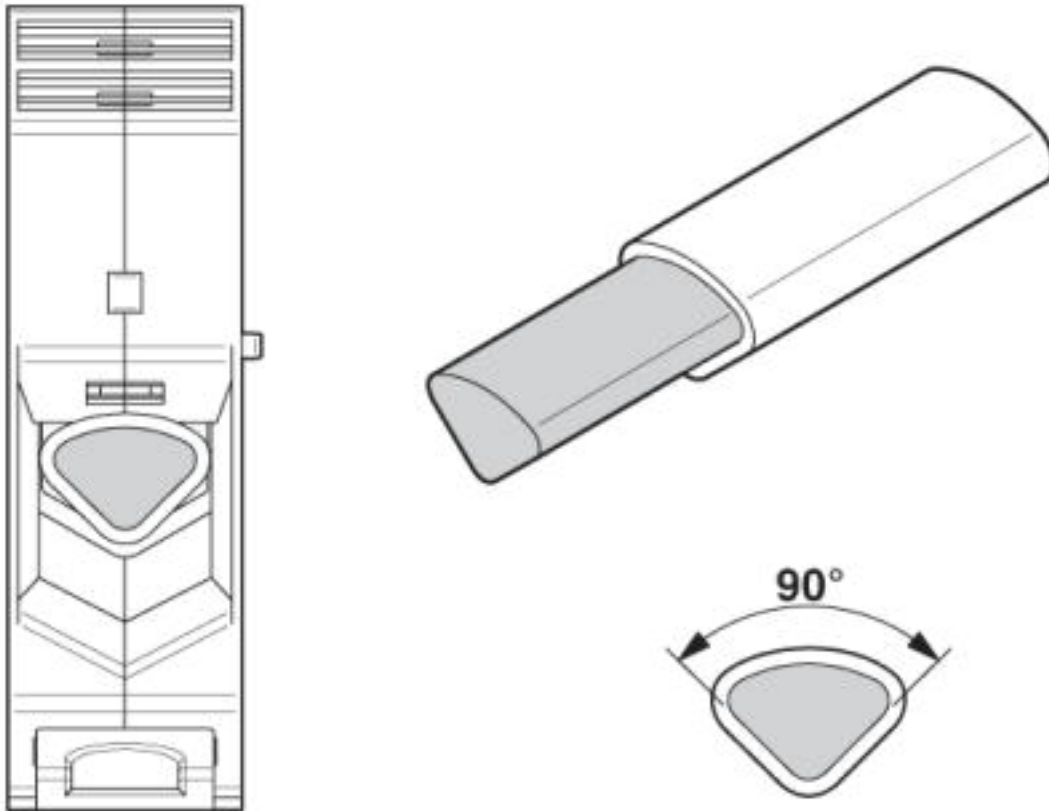


Circuit diagram



Feed-through terminal block - UKH 95 BU - 3010136

Schematic diagram



Connecting aluminum cables. Further notes can be found in the download area

© Phoenix Contact 2013 - all rights reserved
<http://www.phoenixcontact.com>