



CES KEY-OPERATED SWITCH, 22MM, ROUND, PLASTIC, LOCK NO. SSG10, WITH 2 KEYS, 3 SWITCH POSITIONS I-O-II, LATCHING, ACTUATING ANGLE 2X45 DEG., 10:30H/12H/13:30H, KEY REMOVAL POS. I+O+II

Figure similar

product brand name	SIRIUS ACT
Product designation	Commanding and signaling devices
Design of the product	Key-operated switch

Actuator:	
Design of the operating mechanism	Key-operated switch
Manner of function of the actuating element	latching, 2x45° (10:30 h/12 h/13:30 h)
Product expansion optional Light source	No
Color	
• of the actuating element	Silver
Material of the actuating element	metal
Shape of the actuating element	Key
Outer diameter of the actuating element	29.5 mm
Number of switching positions	3
Switch position for key distraction	O+I+II
Actuating angle	
• clockwise	45°
• anticlockwise	45°
Lock make	CES
Key number	SSG10

Front ring:	
Product component front ring	Yes
Design of the front ring	Standard
Material of the front ring	plastic
Color of the front ring	black

General technical data:

Shock resistance <ul style="list-style-type: none">• acc. to IEC 60068-2-27	Sinusoidal half-wave 50 g / 11 ms
Vibration resistance <ul style="list-style-type: none">• acc. to IEC 60068-2-6	10 ... 500 Hz: 5g
Operating frequency maximum	1 800 1/h
Mechanical service life (switching cycles) <ul style="list-style-type: none">• typical	1 000 000
Protection class IP <ul style="list-style-type: none">• of the terminal	IP66, IP67, IP69(IP69K) IP20
Equipment marking <ul style="list-style-type: none">• acc. to DIN EN 61346-2• acc. to DIN EN 81346-2	S S

Ambient conditions:

Ambient temperature <ul style="list-style-type: none">• during operation• during storage	-25 ... +70 °C -40 ... +80 °C
--	----------------------------------

Installation/ mounting/ dimensions:

Height	29.5 mm
Width	29.5 mm
Shape of the installation opening	round
Mounting diameter	22 mm

Certificates/ approvals:

Further information

Information- and Downloadcenter (Catalogs, Brochures,...)

<http://www.siemens.com/industrial-controls/catalogs>

Industry Mall (Online ordering system)

<http://www.siemens.com/industrymall>

Cax online generator

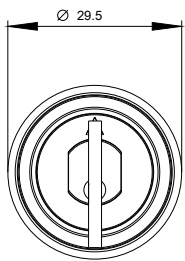
<http://support.automation.siemens.com/WW/CAXorder/default.aspx?lang=en&mlfb=3SU10005BL110AA0>

Service&Support (Manuals, Certificates, Characteristics, FAQs,...)

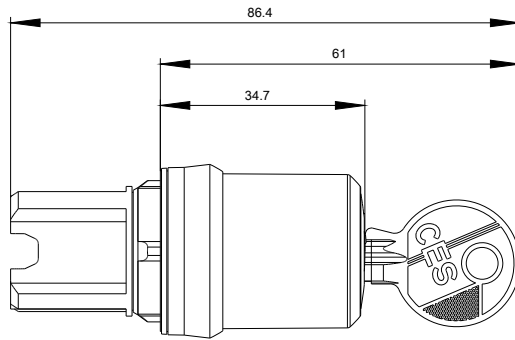
<https://support.industry.siemens.com/cs/ww/en/ps/3SU10005BL110AA0>

Image database (product images, 2D dimension drawings, 3D models, device circuit diagrams, EPLAN macros, ...)

http://www.automation.siemens.com/bilddb/cax_de.aspx?mlfb=3SU10005BL110AA0&lang=en



last modified:



27.04.2015