



ENCLOSURE FOR COMMAND DEVICES, 22MM, ROUND, ENCLOSURE MATERIAL METAL, ENCLOSURE TOP PART GRAY, 3 COMMAND POINTS, UNEQUIPPED, RECESS FOR LABELS, BASE MOUNTING, TOP AND BOTTOM 1 X M20 EACH

Figure similar

product brand name	SIRIUS ACT
Product designation	Commanding and signaling devices
Design of the product	Surface-mounted housing

Enclosure:	
Design of the housing	with recess for label
Shape of the enclosure front	rectangular
Material of the enclosure	metal
Number of control points	3
Product component	
• protective collar	No
Color	
• of top part of the enclosure	grey
Mounting type of the enclosure	Vertical / horizontal

General technical data:	
Protection class IP	IP66, IP67, IP69(IP69K)

Installation/ mounting/ dimensions:	
Height	158.4 mm
Width	85 mm
Depth	64 mm
Mounting diameter	22 mm

Certificates/ approvals:

Further information

Information- and Downloadcenter (Catalogs, Brochures,...)  
<http://www.siemens.com/industrial-controls/catalogs>

**Industry Mall (Online ordering system)**

<http://www.siemens.com/industrymall>

**Cax online generator**

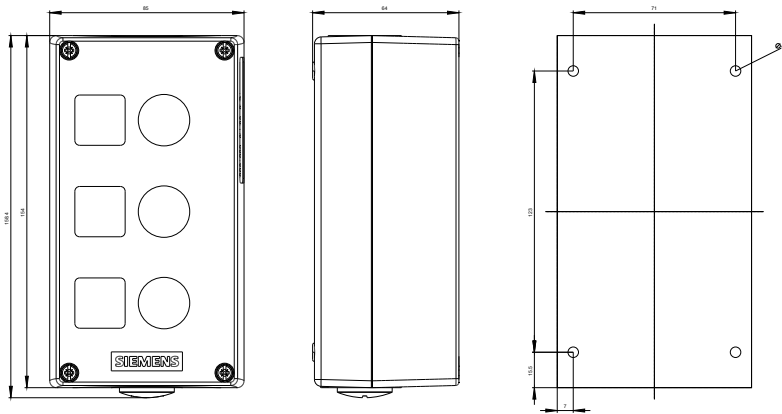
<http://support.automation.siemens.com/WW/CAXorder/default.aspx?lang=en&mlfb=3SU18530AA000AB1>

**Service&Support (Manuals, Certificates, Characteristics, FAQs,...)**

<https://support.industry.siemens.com/cs/ww/en/ps/3SU18530AA000AB1>

**Image database (product images, 2D dimension drawings, 3D models, device circuit diagrams, EPLAN macros, ...)**

[http://www.automation.siemens.com/bilddb/cax\\_de.aspx?mlfb=3SU18530AA000AB1&lang=en](http://www.automation.siemens.com/bilddb/cax_de.aspx?mlfb=3SU18530AA000AB1&lang=en)



**last modified:**

27.04.2015