



SEALING PLUG FOR SPARE ROUND COMMAND POINTS,
PLASTIC, BLACK

Figure similar

product brand name	SIRIUS ACT
Product designation	Commanding and signaling devices
Design of the product	Sealing plug

Actuator:

Shape of the actuating element	round
Outer diameter of the actuating element	29.5 mm

General technical data:

Protection class IP	IP66, IP67, IP69(IP69K)
Equipment marking	
<ul style="list-style-type: none"> • acc. to DIN EN 61346-2 	S
<ul style="list-style-type: none"> • acc. to DIN EN 81346-2 	S

Ambient conditions:

Ambient temperature	
<ul style="list-style-type: none"> • during operation 	-25 ... +70 °C
<ul style="list-style-type: none"> • during storage 	-40 ... +80 °C

Installation/ mounting/ dimensions:

Shape of the installation opening	round
Mounting diameter	22 mm

Accessories:

Material of accessory	Plastic
Color of accessory	black

Certificates/ approvals:

Further information

Information- and Downloadcenter (Catalogs, Brochures,...)

<http://www.siemens.com/industrial-controls/catalogs>

Industry Mall (Online ordering system)

<http://www.siemens.com/industrymall>

Cax online generator

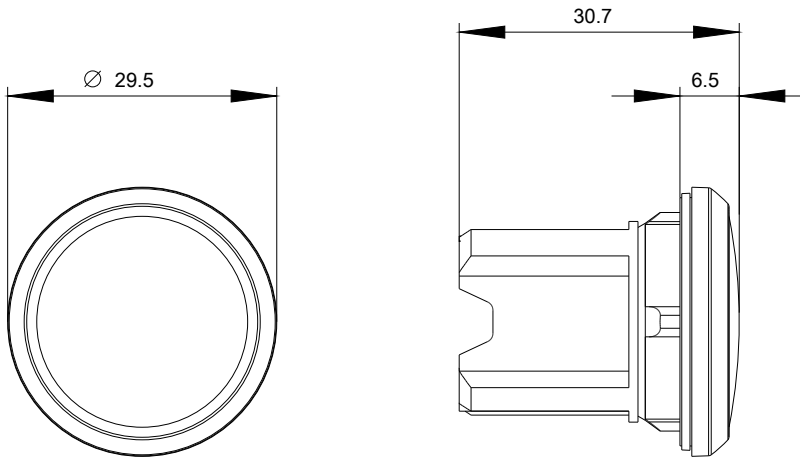
<http://support.automation.siemens.com/WW/CAXorder/default.aspx?lang=en&mfb=3SU19000FA100AA0>

Service&Support (Manuals, Certificates, Characteristics, FAQs,...)

<https://support.industry.siemens.com/cs/ww/en/ps/3SU19000FA100AA0>

Image database (product images, 2D dimension drawings, 3D models, device circuit diagrams, EPLAN macros, ...)

http://www.automation.siemens.com/bilddb/cax_de.aspx?mfb=3SU19000FA100AA0&lang=en



last modified:

27.04.2015