

PROTECTIVE COLLAR FOR EM. STOP MUSHROOM  
 PUSHBUTTON, WITHOUT OR WITH RONIS LOCK, YELLOW,  
 PLASTIC



Figure similar

product brand name	SIRIUS ACT
Product designation	Commanding and signaling devices
Design of the product	Protective collar for EMERGENCY STOP

Installation/ mounting/ dimensions:	
Height	58.9 mm
Width	74.8 mm
Depth	47.5 mm

Accessories:	
Material of accessory	Plastic
Color of accessory	yellow

Certificates/ approvals:

Further information

**Information- and Downloadcenter (Catalogs, Brochures,...)**

<http://www.siemens.com/industrial-controls/catalogs>

**Industry Mall (Online ordering system)**

<http://www.siemens.com/industrymall>

**Cax online generator**

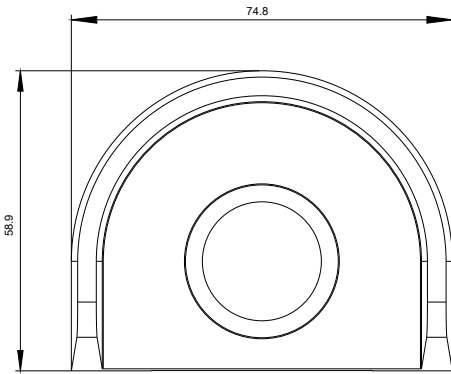
<http://support.automation.siemens.com/WW/CAXorder/default.aspx?lang=en&mlfb=3SU19000DY300AA0>

**Service&Support (Manuals, Certificates, Characteristics, FAQs,...)**

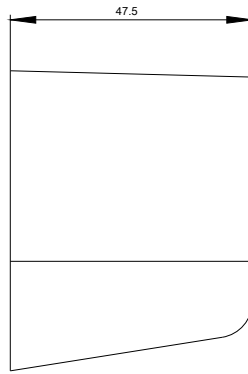
<https://support.industry.siemens.com/cs/ww/en/ps/3SU19000DY300AA0>

**Image database (product images, 2D dimension drawings, 3D models, device circuit diagrams, EPLAN macros, ...)**

[http://www.automation.siemens.com/bilddb/cax\\_de.aspx?mlfb=3SU19000DY300AA0&lang=en](http://www.automation.siemens.com/bilddb/cax_de.aspx?mlfb=3SU19000DY300AA0&lang=en)



last modified:



27.04.2015