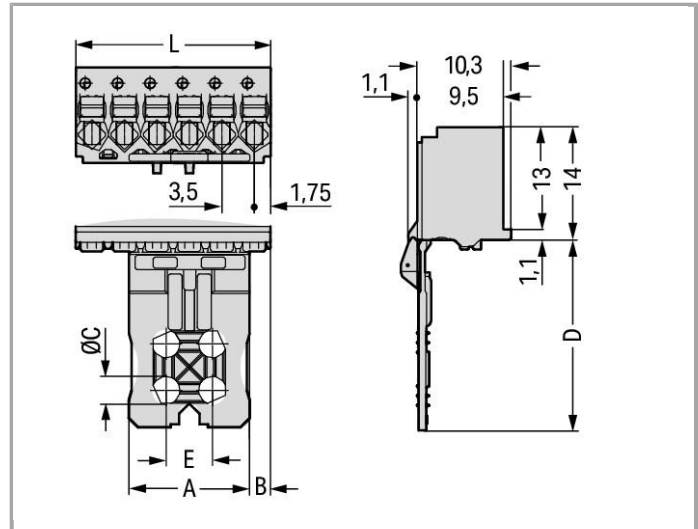


Data sheet | Item number: 2091-1105/002-000

1-conductor female plug; Gripping plate sliding connector release; 1.5 mm²;
Pin spacing 3.5 mm; 5-pole

www.wago.com/2091-1105/002-000



Item description

- Universal connection of all conductor types
- Simple, push-in termination of solid and ferruled conductors
- Easy-to-use design does not require special tools
- Ability to wire while mated or unmated
- Testing parallel to conductor entry – tip contact
- Also available with gripping plates
- Integrated locking latches prevent accidental disconnection

Data

Electrical data



Ratings per IEC/EN 60664-1

| | |
|---------------------------------|---|
| Rated voltage (III / 3) | 160 V |
| Rated impulse voltage (III / 3) | 2.5 kV |
| Rated voltage (III / 2) | 160 V |
| Rated impulse voltage (III / 2) | 2.5 kV |
| Rated voltage (II / 2) | 320 V |
| Rated impulse voltage (II / 2) | 2.5 kV |
| Rated current | 10 A |
| Legend (ratings) | (III / 2) ≙ Overvoltage category III / Pollution degree 2 |

Connection data

| | |
|---|---|
| Connection technology | Push-in CAGE CLAMP® |
| Actuation type | Push-button |
| Solid conductor | 0.2 ... 1.5 mm ² / 24 ... 14 AWG |
| Fine-stranded conductor | 0.2 ... 1.5 mm ² / 24 ... 14 AWG |
| Fine-stranded conductor with ferrule with plastic collar | 0.25 ... 0.75 mm ² |
| Fine-stranded conductor with ferrule without plastic collar | 0.25 ... 1.5 mm ² |
| Strip length | 8 ... 9 mm / 0.31 ... 0.35 Inch |
| No. of poles | 5 |
| Total number of connection points | 5 |
| Total number of potentials | 5 |
| Number of connection types | 1 |
| Number of levels | 1 |

Geometrical Data

| | |
|-------------|----------------------|
| Pin spacing | 3.5 mm (0.138 inch) |
| Width | 17.5 mm / 0.689 inch |
| Height | 34 mm / 1.339 inch |
| Depth | 12.4 mm / 0.488 inch |

Plug connection

| | |
|------------------------------------|-------------------------|
| Contact type (pluggable connector) | Female connector/socket |
| Connector connection type | for conductors |
| Mismating protection | No |

Material Data

| | |
|---------------------|--------------------------|
| Color | light gray |
| Material group | I |
| Insulating material | Polyphthalamide (PPA GF) |

| | |
|-----------------------------|-----------------------------------|
| Flammability class per UL94 | V0 |
| Clamping spring material | Chrome nickel spring steel (CrNi) |
| Contact material | Electrolytic copper (Ecu) |
| Contact plating | tin-plated |
| Fire load | 0.061 MJ |
| Weight | 2.446 g |

Environmental Requirements


| | |
|-------------------------|-----------------|
| Limit temperature range | -60 ... +100 °C |
|-------------------------|-----------------|

Commercial data



| | |
|--------------------|---------------|
| Country of origin | DE |
| GTIN | 4050821411659 |
| Customs Tariff No. | 85366990990 |

Approvals / Certificates

Country specific Approvals


| Logo | Approval | Certificate name |
|--|--|------------------|
| | CB DEKRA Certification B.V. | NL-49736 |
|  | KEMA/KEUR DEKRA Certification B.V. | 71-102260 |

UL-Approvals

| Logo | Approval | Certificate name |
|--|---|------------------|
|  | UR Underwriters Laboratories Inc. | E45172 |
|  | UR Underwriters Laboratories Inc. | E45171 |

Compatible products

tools

| | | |
|--|--|--|
|  | Item no.: 210-719 Operating tool with partially insulated shaft; Type 1, blade (2.5 x 0.4) mm | www.wago.com/210-719 |
|--|--|--|

Coding



Item no.: 2091-1610
Coding key carrier; suitable for 3.5 mm pin spacing

www.wago.com/2091-1610

check



Item no.: 735-500
Test pin; with solder connection for test wire

www.wago.com/735-500

Downloads
smartDATA

PCB libraries

| | | | |
|---|-------------|--------|----------|
| DesignSpark Library for WAGO picoMAX [®] | 2.1 | ZIP | Download |
| Compatible with DesignSpark PCB Version 4.x or higher | Oct 6, 2014 | 2.0 MB | |

| | | | |
|---|--------------|--------|----------|
| EAGLE Library for WAGO picoMAX [®] | 2.1 | ZIP | Download |
| | Nov 17, 2017 | 1.9 MB | |

| | | | |
|---|-------------|--------|----------|
| TARGET Library for WAGO picoMAX [®] | 1.1.0 | ZIP | Download |
| Compatible with TARGET PCB Design Software Version 17.x | Oct 6, 2014 | 2.4 MB | |

CAD data

| | | | |
|-------------------------------|--|-----|----------|
| 3D Download 2091-1105/002-000 | | URL | Download |
|-------------------------------|--|-----|----------|

Product family

picoMAX
[Learn more about the product family.](#)

[Show all products from the family](#)

Subject to changes.

WAGO Kontakttechnik GmbH & Co. KG
Hansastr. 27
32423 Minden
Phone: +49571 887-0 | Fax: +49571 887-169
Email: info.de@wago.com | Web: www.wago.com

Do you have any questions about our products?
We are always happy to take your call at +49 (571) 887-44222.