

Data sheet | Item number: 2091-1304

THT female header; 0.4 x 0.9 mm solder pin; straight; Pin spacing 3.5 mm; 4-pole



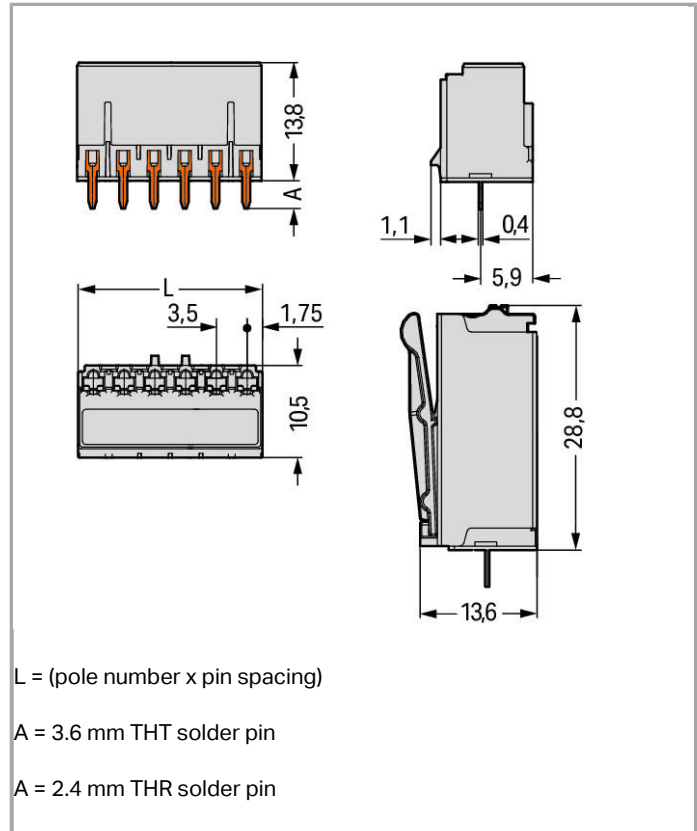
www.wago.com/2091-1304



RoHS Compliant

[BOMcheck.net](https://www.bomcheck.net)

Color:



Item description

- Touch-proof PCB outputs
- Easy-to-identify PCB inputs and outputs
- Coding option available

Data

Electrical data

Ratings per IEC/EN 60664-1

Rated voltage (III / 3)	160 V
Rated impulse voltage (III / 3)	2.5 kV
Rated voltage (III / 2)	160 V
Rated impulse voltage (III / 2)	2.5 kV
Rated voltage (II / 2)	320 V
Rated impulse voltage (II / 2)	2.5 kV



Rated current	10 A
Legend (ratings)	(III / 2) $\hat{=}$ Overvoltage category III / Pollution degree 2

Connection data

No. of poles	4
Total number of potentials	4
Number of levels	1

Geometrical Data

Pin spacing	3.5 mm (0.138 inch)
Width	14 mm / 0.551 inch
Height	17.4 mm / 0.685 inch
Height from the surface	13.8 mm / 0.543 inch
Depth	11.6 mm / 0.457 inch
Solder pin length	3.6 mm
Solder pin dimensions	0.4 x 0.9 mm
Plated through-hole diameter (THR)	1.2 ^(+0.1) mm

Plug connection

Contact type (pluggable connector)	Female connector/socket
Connector connection type	for PCBs
Mismating protection	No
Mating direction to the PCB	90°

PCB contact

PCB contact	THR
-------------	-----

Material Data

Color	light gray
Material group	I
Insulating material	Polyphthalamide (PPA GF)
Flammability class per UL94	V0
Contact material	Copper alloy
Contact plating	tin-plated
Fire load	0.049 MJ
Weight	2.04 g

Environmental Requirements


Limit temperature range	-60 ... +100 °C
-------------------------	-----------------

Commercial data



Country of origin	DE
GTIN	4050821160847
Customs Tariff No.	85366990990
Product Group	26 (picoMAX)

Approvals / Certificates

Country specific Approvals

Logo	Approval	Certificate name
	CB DEKRA Certification B.V.	NL-49736
	KEMA/KEUR DEKRA Certification B.V.	71-102260

UL-Approvals

Logo	Approval	Certificate name
	UR Underwriters Laboratories Inc.	E45171
	UR Underwriters Laboratories Inc.	E45172

Compatible products

Coding

	Item no.: 2091-1610 Coding key carrier; suitable for 3.5 mm pin spacing	www.wago.com/2091-1610
--	--	--

Downloads

smartDATA

CAD data

3D Download 2091-1304	URL	Download
-----------------------	-----	----------

PCB libraries

TARGET Library for WAGO picoMAX®	1.1.0 Oct 6, 2014	ZIP 2.4 MB	Download
----------------------------------	----------------------	---------------	----------



Compatible with TARGET PCB Design Software Version 17.x

EAGLE Library for WAGO picoMAX®	2.1 Nov 17, 2017	ZIP 1.9 MB	Download
---------------------------------	---------------------	---------------	----------

DesignSpark Library for WAGO picoMAX®	2.1 Oct 6, 2014	ZIP 2.0 MB	Download
---------------------------------------	--------------------	---------------	----------

Compatible with DesignSpark PCB Version 4.x or higher

Product family

picoMAX

[Learn more about the product family.](#)

[Show all products from the family](#)

Subject to changes.