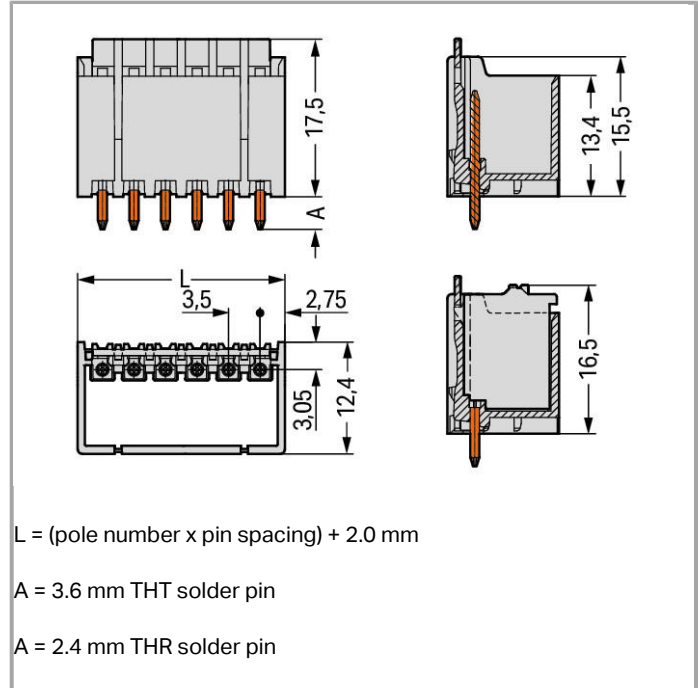
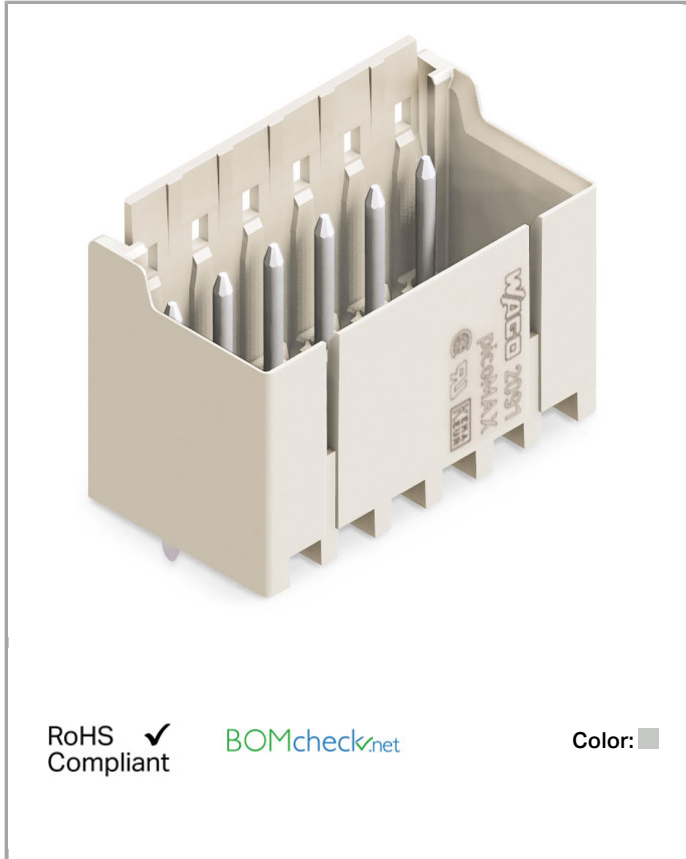


Data sheet | Item number: 2091-1412/200-000

THR male header; 1.0 mm Ø solder pin; straight; Pin spacing 3.5 mm; 12-pole

www.wago.com/2091-1412/200-000



RoHS Compliant

Color:

Item description

- Assembly of female connectors without loss of poles, allowing different functions to be divided within one male header
- Coding pins inserted into the header interface prevent mismatching, allowing subsequent coding in panel feedthrough applications
- The female connector is fully shrouded by the male header's housing, providing vibration resistance up to 20 g

Data

Electrical data

Ratings per IEC/EN 60664-1

| | |
|---------------------------------|--------|
| Rated voltage (III / 3) | 160 V |
| Rated impulse voltage (III / 3) | 2.5 kV |
| Rated voltage (III / 2) | 160 V |
| Rated impulse voltage (III / 2) | 2.5 kV |
| Rated voltage (II / 2) | 320 V |
| Rated impulse voltage (II / 2) | 2.5 kV |



| | |
|------------------|--|
| Rated current | 10 A |
| Legend (ratings) | (III / 2) \triangleq Overvoltage category III / Pollution degree 2 |

Connection data

| | |
|----------------------------|----|
| No. of poles | 12 |
| Total number of potentials | 12 |
| Number of levels | 1 |

Geometrical Data

| | |
|------------------------------------|----------------------|
| Pin spacing | 3.5 mm (0.138 inch) |
| Width | 44 mm / 1.732 inch |
| Height | 19.9 mm / 0.783 inch |
| Height from the surface | 17.5 mm / 0.689 inch |
| Depth | 12.4 mm / 0.488 inch |
| Solder pin length | 2.4 mm |
| Solder pin diameter | 1 mm |
| Plated through-hole diameter (THR) | 1.2 (+0.1) mm |

Plug connection

| | |
|------------------------------------|---------------------|
| Contact type (pluggable connector) | Male connector/plug |
| Connector connection type | for PCBs |
| Mismating protection | No |
| Mating direction to the PCB | 90° |
| Locking of plug-in connection | Male locking latch |

PCB contact

| | |
|-------------|-----|
| PCB contact | THR |
|-------------|-----|

Material Data

| | |
|-----------------------------|---------------------------|
| Color | light gray |
| Material group | I |
| Insulating material | Polyphthalamide (PPA GF) |
| Flammability class per UL94 | V0 |
| Contact material | Electrolytic copper (Ecu) |
| Contact plating | tin-plated |
| Fire load | 0.077 MJ |
| Weight | 3.75 g |

Environmental Requirements


| | |
|-------------------------|-----------------|
| Limit temperature range | -60 ... +100 °C |
|-------------------------|-----------------|

Commercial data



| | |
|--------------------|---------------|
| Country of origin | DE |
| GTIN | 4050821396161 |
| Customs Tariff No. | 85366990990 |

Approvals / Certificates

Country specific Approvals

| Logo | Approval | Certificate name |
|--|--|------------------|
| | CB DEKRA Certification B.V. | NL-49736 |
|  | KEMA/KEUR DEKRA Certification B.V. | 71-102260 |

UL-Approvals

| Logo | Approval | Certificate name |
|--|---|------------------|
|  | UR Underwriters Laboratories Inc. | E45172 |
|  | UR Underwriters Laboratories Inc. | E45171 |

Compatible products

| Coding | | |
|--|--|--|
|  | Item no.: 2091-1610 Coding key carrier; suitable for 3.5 mm pin spacing | www.wago.com/2091-1610 |

Downloads smartDATA

PCB libraries

| | | | |
|---------------------------------|---------------------|---------------|----------|
| EAGLE Library for WAGO picoMAX® | 2.1 Nov 17, 2017 | ZIP 1.9 MB | Download |
|---------------------------------|---------------------|---------------|----------|



| | | | |
|--|----------------------|---------------|----------|
| DesignSpark Library for WAGO picoMAX® Compatible with DesignSpark PCB Version 4.x or higher | 2.1 Oct 6, 2014 | ZIP 2.0 MB | Download |
| TARGET Library for WAGO picoMAX® Compatible with TARGET PCB Design Software Version 17.x | 1.1.0 Oct 6, 2014 | ZIP 2.4 MB | Download |
| CAD data | | | |
| 3D Download 2091-1412/200-000 | | URL | Download |

Product family

picoMAX

[Learn more about the product family.](#)

[Show all products from the family](#)

Subject to changes.