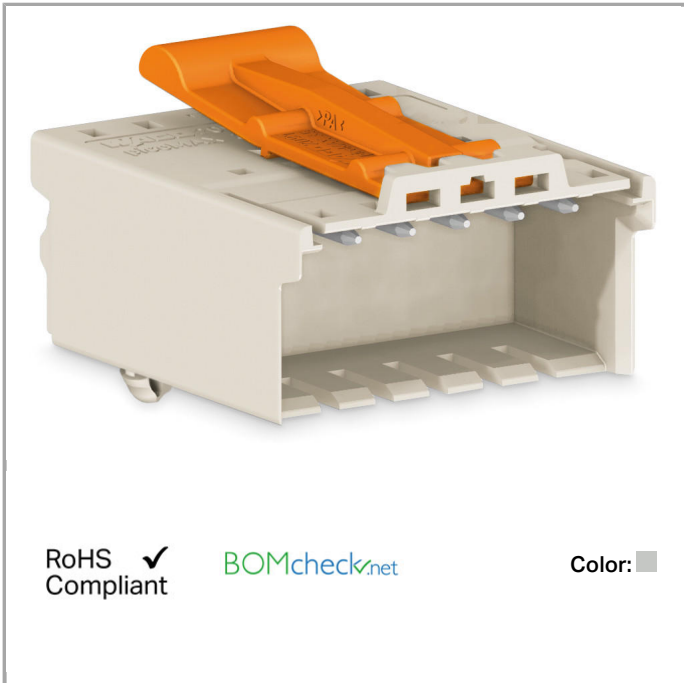


Data sheet | Item number: 2091-1522/020-000

1-conductor male connector; Snap-in mounting feet; 1.5 mm²; Pin spacing 3.5 mm; 2-pole



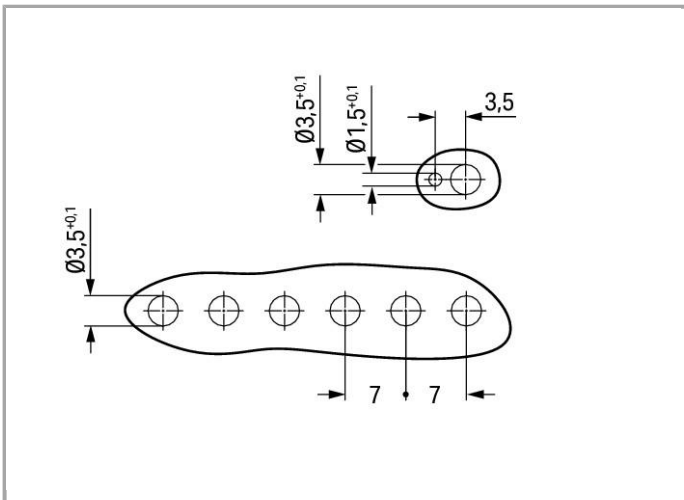
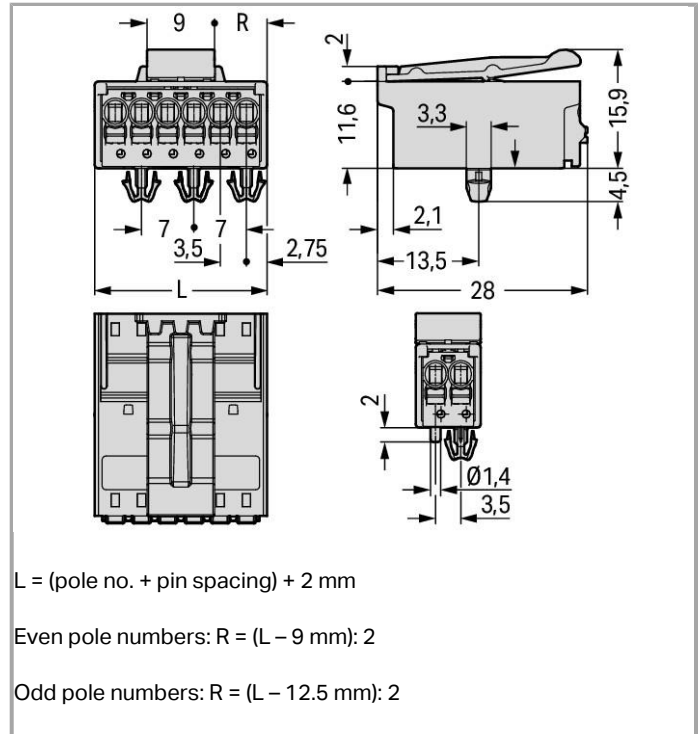
www.wago.com/2091-1522/020-000



RoHS Compliant

BOMcheck.net

Color:



Item description

- Universal connection for all conductor types
- Simple, push-in termination of solid and ferruled conductors
- Easy-to-use design does not require special tools
- Testing parallel to conductor entry – tip contact
- For “wire-to-wire” and “board-to-wire” connections

- Integrated release lever

Data

Electrical data

Ratings per IEC/EN 60664-1

| | |
|---------------------------------|--|
| Rated voltage (III / 3) | 160 V |
| Rated impulse voltage (III / 3) | 2.5 kV |
| Rated voltage (III / 2) | 160 V |
| Rated impulse voltage (III / 2) | 2.5 kV |
| Rated voltage (II / 2) | 320 V |
| Rated impulse voltage (II / 2) | 2.5 kV |
| Rated current | 10 A |
| Legend (ratings) | (III / 2) \triangleq Overvoltage category III / Pollution degree 2 |

Connection data

| | |
|---|---|
| Connection technology | Push-in CAGE CLAMP® |
| Actuation type | Push-button |
| Solid conductor | 0.2 ... 1.5 mm ² / 24 ... 14 AWG |
| Fine-stranded conductor | 0.2 ... 1.5 mm ² / 24 ... 14 AWG |
| Fine-stranded conductor with ferrule with plastic collar | 0.25 ... 0.75 mm ² |
| Fine-stranded conductor with ferrule without plastic collar | 0.25 ... 1.5 mm ² |
| Strip length | 8 ... 9 mm / 0.31 ... 0.35 Inch |
| No. of poles | 2 |
| Total number of connection points | 2 |
| Total number of potentials | 2 |
| Number of connection types | 1 |
| Number of levels | 1 |

Geometrical Data

| | |
|-------------------------|----------------------|
| Pin spacing | 3.5 mm (0.138 inch) |
| Width | 9 mm / 0.354 inch |
| Height | 20.4 mm / 0.803 inch |
| Height from the surface | 15.9 mm / 0.626 inch |
| Depth | 28 mm / 1.102 inch |

Plug connection

| | |
|------------------------------------|---------------------|
| Contact type (pluggable connector) | Male connector/plug |
| Connector connection type | for conductors |

| | |
|-------------------------------|--------------------|
| Mismating protection | No |
| Locking of plug-in connection | Male locking latch |

Material Data

| | |
|-----------------------------|-----------------------------------|
| Color | light gray |
| Material group | I |
| Insulating material | Polyphthalamide (PPA GF) |
| Flammability class per UL94 | V0 |
| Clamping spring material | Chrome nickel spring steel (CrNi) |
| Contact material | Electrolytic copper (Ecu) |
| Contact plating | tin-plated |
| Fire load | 0.071 MJ |
| Weight | 2.811 g |

Environmental Requirements



| | |
|-------------------------|-----------------|
| Limit temperature range | -60 ... +100 °C |
|-------------------------|-----------------|

Commercial data

| | |
|--------------------|---------------|
| Country of origin | DE |
| GTIN | 4050821161394 |
| Customs Tariff No. | 85366990990 |
| Product Group | 26 (picoMAX) |

Approvals / Certificates

Country specific Approvals

| Logo | Approval | Certificate name |
|--|---------------------------------------|------------------|
| | CB DEKRA Certification B.V. | NL-49736 |
|  | CSA DEKRA Certification B.V. | 2362521 |
|  | KEMA/KEUR DEKRA Certification B.V. | 71-102260 |

UL-Approvals

| Logo | Approval | Certificate name |
|--|--------------------------------------|------------------|
|  | UR Underwriters Laboratories Inc. | E45171 |



UR
Underwriters Laboratories Inc.

E45172

Compatible products

Coding



Item no.: 2091-1610
Coding key carrier; suitable for 3.5 mm pin spacing

www.wago.com/2091-1610

Downloads

smartDATA

PCB libraries

| | | | |
|--|----------------------|---------------|----------|
| TARGET Library for WAGO picoMAX® Compatible with TARGET PCB Design Software Version 17.x | 1.1.0 Oct 6, 2014 | ZIP 2.4 MB | Download |
| DesignSpark Library for WAGO picoMAX® Compatible with DesignSpark PCB Version 4.x or higher | 2.1 Oct 6, 2014 | ZIP 2.0 MB | Download |
| EAGLE Library for WAGO picoMAX® | 2.1 Nov 17, 2017 | ZIP 1.9 MB | Download |

CAD data

| | | |
|-------------------------------|-----|----------|
| 3D Download 2091-1522/020-000 | URL | Download |
|-------------------------------|-----|----------|

Product family

picoMAX
[Learn more about the product family.](#)

[Show all products from the family](#)

Subject to changes.