

# Data sheet | Item number: 2091-1526/020-000

1-conductor male connector; Snap-in mounting feet; 1.5 mm<sup>2</sup>; Pin spacing 3.5 mm; 6-pole



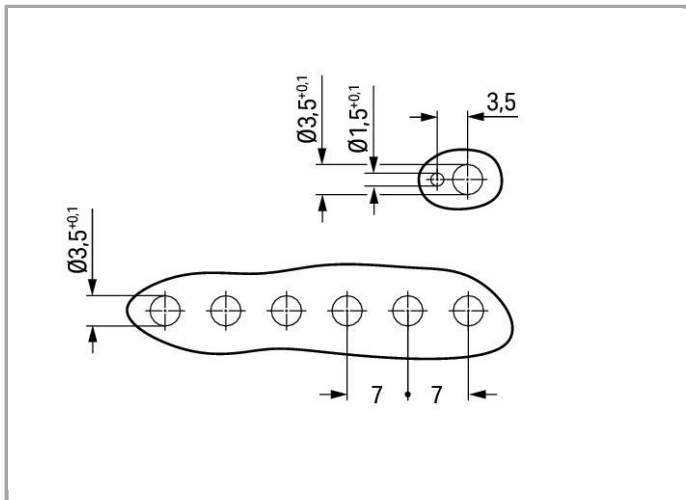
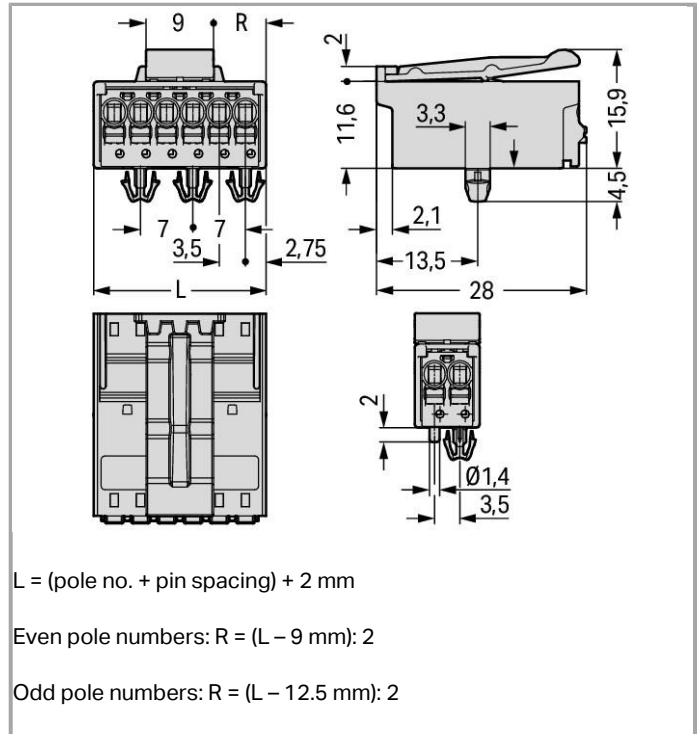
[www.wago.com/2091-1526/020-000](http://www.wago.com/2091-1526/020-000)



RoHS  Compliant

BOMcheck.net

Color:



## Item description

- Universal connection for all conductor types
- Simple, push-in termination of solid and ferruled conductors
- Easy-to-use design does not require special tools
- Testing parallel to conductor entry – tip contact
- For “wire-to-wire” and “board-to-wire” connections

- Integrated release lever

## Data

### Electrical data

#### Ratings per IEC/EN 60664-1

Rated voltage (III / 3)	160 V
Rated impulse voltage (III / 3)	2.5 kV
Rated voltage (III / 2)	160 V
Rated impulse voltage (III / 2)	2.5 kV
Rated voltage (II / 2)	320 V
Rated impulse voltage (II / 2)	2.5 kV
Rated current	10 A
Legend (ratings)	(III / 2) $\triangleq$ Overvoltage category III / Pollution degree 2

#### Connection data

Connection technology	Push-in CAGE CLAMP <sup>®</sup>
Actuation type	Push-button
Solid conductor	0.2 ... 1.5 mm <sup>2</sup> / 24 ... 14 AWG
Fine-stranded conductor	0.2 ... 1.5 mm <sup>2</sup> / 24 ... 14 AWG
Fine-stranded conductor with ferrule with plastic collar	0.25 ... 0.75 mm <sup>2</sup>
Fine-stranded conductor with ferrule without plastic collar	0.25 ... 1.5 mm <sup>2</sup>
Strip length	8 ... 9 mm / 0.31 ... 0.35 Inch
No. of poles	6
Total number of connection points	6
Total number of potentials	6
Number of connection types	1
Number of levels	1

#### Geometrical Data

Pin spacing	3.5 mm (0.138 inch)
Width	23 mm / 0.906 inch
Height	20.4 mm / 0.803 inch
Height from the surface	15.9 mm / 0.626 inch
Depth	28 mm / 1.102 inch

#### Plug connection

Contact type (pluggable connector)	Male connector/plug
Connector connection type	for conductors

Mismating protection	No
Locking of plug-in connection	Male locking latch

### Material Data

Color	light gray
Material group	I
Insulating material	Polyphthalamide (PPA GF)
Flammability class per UL94	V0
Clamping spring material	Chrome nickel spring steel (CrNi)
Contact material	Electrolytic copper (Ecu)
Contact plating	tin-plated
Fire load	0.145 MJ
Weight	6.217 g

### Environmental Requirements



Limit temperature range	-60 ... +100 °C
-------------------------	-----------------

### Commercial data

Country of origin	DE
GTIN	4050821161417
Customs Tariff No.	85366990990
Product Group	26 (picoMAX)

### Approvals / Certificates

#### Country specific Approvals

Logo	Approval	Certificate name
	CB DEKRA Certification B.V.	NL-49736
	CSA DEKRA Certification B.V.	2362521
	KEMA/KEUR DEKRA Certification B.V.	71-102260

#### UL-Approvals

Logo	Approval	Certificate name
	UR Underwriters Laboratories Inc.	E45171



UR  
Underwriters Laboratories Inc.

E45172

## Compatible products

### Coding



Item no.: 2091-1610  
Coding key carrier; suitable for 3.5 mm pin spacing

[www.wago.com/2091-1610](http://www.wago.com/2091-1610)

## Downloads

### smartDATA

#### PCB libraries

DesignSpark Library for WAGO picoMAX <sup>®</sup> Compatible with DesignSpark PCB Version 4.x or higher	2.1 Oct 6, 2014	ZIP 2.0 MB	Download
--	--------------------	---------------	----------

EAGLE Library for WAGO picoMAX <sup>®</sup>	2.1 Nov 17, 2017	ZIP 1.9 MB	Download
---	---------------------	---------------	----------

TARGET Library for WAGO picoMAX <sup>®</sup> Compatible with TARGET PCB Design Software Version 17.x	1.1.0 Oct 6, 2014	ZIP 2.4 MB	Download
---	----------------------	---------------	----------

#### CAD data

3D Download 2091-1526/020-000		URL	Download
-------------------------------	--	-----	----------

## Product family

**picoMAX**  
[Learn more about the product family.](#)

[Show all products from the family](#)

Subject to changes.

WAGO Kontakttechnik GmbH & Co. KG  
Hansastr. 27  
32423 Minden  
Phone: +49571 887-0 | Fax: +49571 887-169  
Email: [info.de@wago.com](mailto:info.de@wago.com) | Web: [www.wago.com](http://www.wago.com)

Do you have any questions about our products?  
We are always happy to take your call at +49 (571) 887-44222.