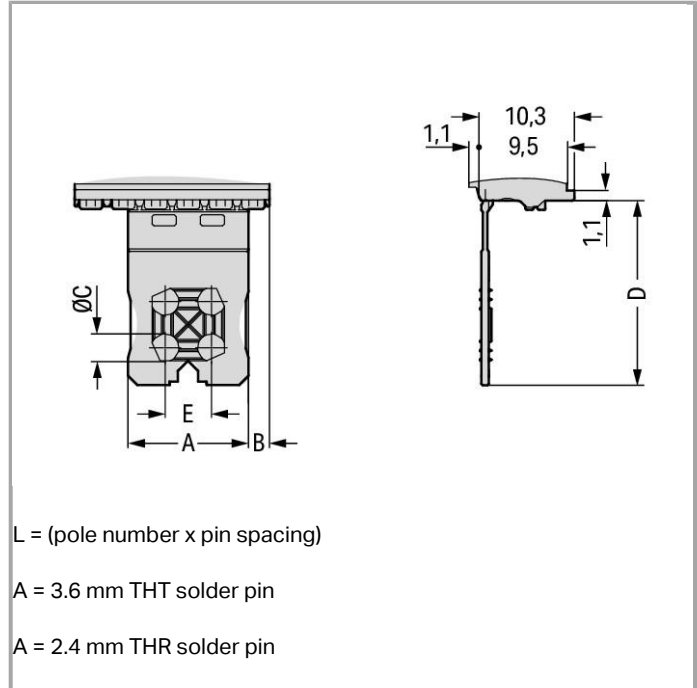


RoHS Compliant

[BOMcheck.net](https://www.bomcheck.net)

Color: ■



Data

Geometrical Data

Pin spacing	3.5 mm (0.138 inch)
-------------	---------------------

Material Data

Color	light gray
Fire load	0.006 MJ
Weight	0.21 g



Commercial data

Country of origin	DE
GTIN	4050821162759
Customs Tariff No.	85389099990
Product Group	26 (picoMAX)

Subject to changes.

WAGO Kontakttechnik GmbH & Co. KG
Hansastr. 27
32423 Minden
Phone: +49571 887-0 | Fax: +49571 887-169
Email: info.de@wago.com | Web: www.wago.com

Do you have any questions about our products?
We are always happy to take your call at +49 (571) 887-44222.