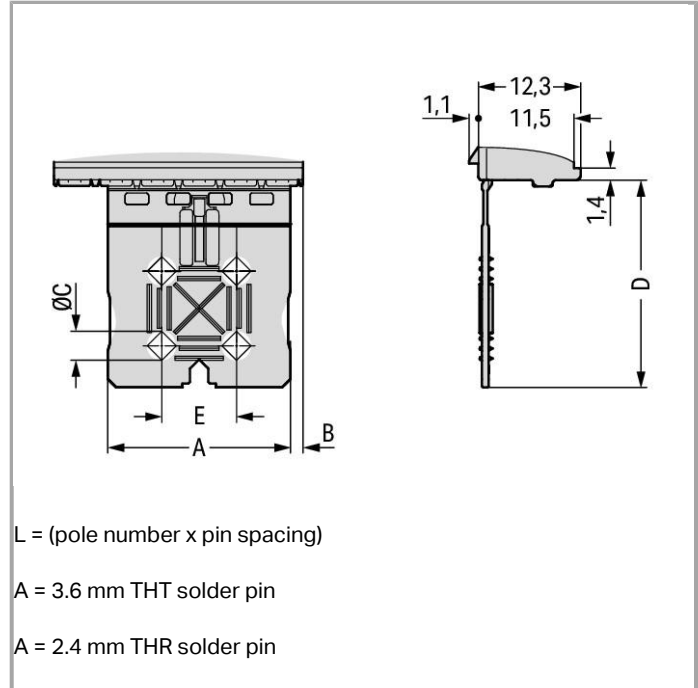


RoHS Compliant

[BOMcheck.net](https://www.bomcheck.net)

Color:



L = (pole number x pin spacing)

A = 3.6 mm THT solder pin

A = 2.4 mm THR solder pin

Data

Geometrical Data

Pin spacing 5 mm (0.197 inch)

Material Data

Color light gray

Fire load 0.007 MJ

Weight 0.22 g



Commercial data

Country of origin	DE
GTIN	4050821164319
Customs Tariff No.	85389099990
Product Group	26 (picoMAX)

Downloads

smartDATA

CAD data

3D Download 2092-1601	URL	Download
-----------------------	-----	----------

Subject to changes.