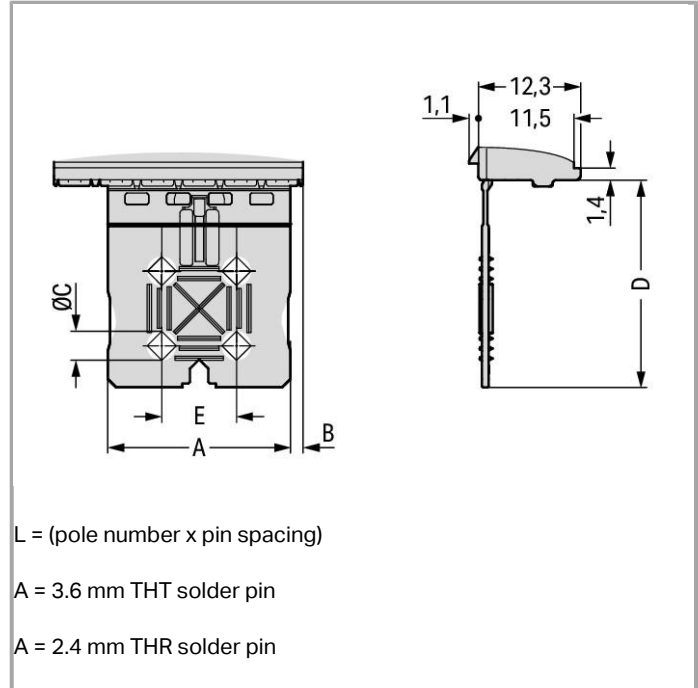


RoHS Compliant

[BOMcheck.net](https://www.bomcheck.net)

Color:



L = (pole number x pin spacing)

A = 3.6 mm THT solder pin

A = 2.4 mm THR solder pin

Data

Geometrical Data

Pin spacing 5 mm (0.197 inch)

Material Data

Color light gray

Fire load 0.015 MJ

Weight 0.49 g



Commercial data

Country of origin	DE
GTIN	4050821164326
Customs Tariff No.	85389099990
Product Group	26 (picoMAX)

Subject to changes.

WAGO Kontakttechnik GmbH & Co. KG
Hansastr. 27
32423 Minden
Phone: +49571 887-0 | Fax: +49571 887-169
Email: info.de@wago.com | Web: www.wago.com

Do you have any questions about our products?
We are always happy to take your call at +49 (571) 887-44222.