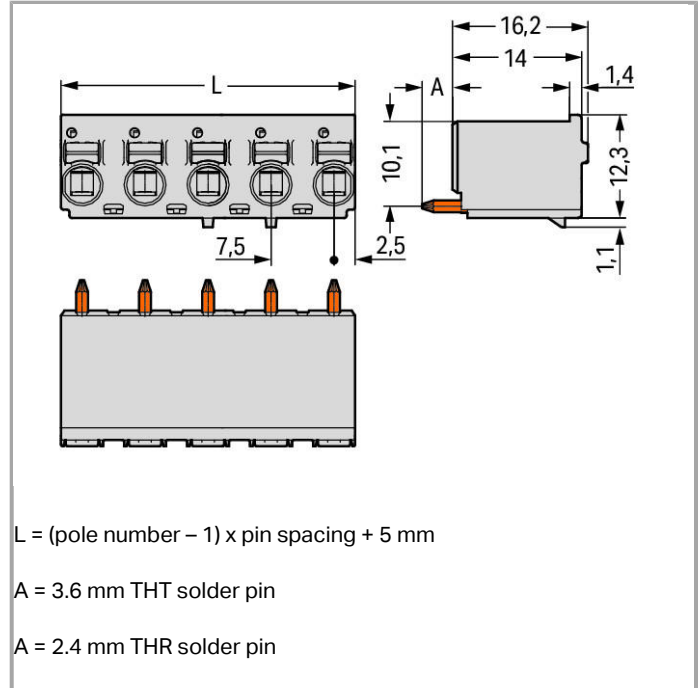
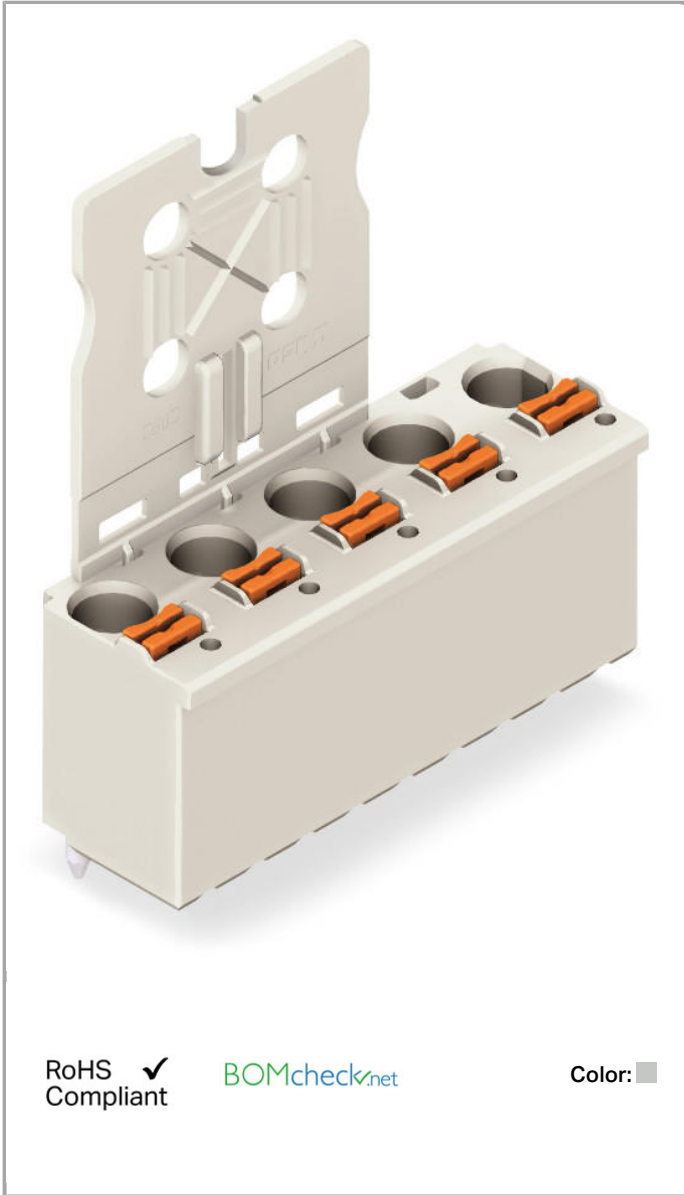


Data sheet | Item number: 2092-3155

1-conductor THT female header; 1.4 mm Ø solder pin; straight; Gripping plate; 2.5 mm<sup>2</sup>; Pin spacing 7.5 mm; 5-pole

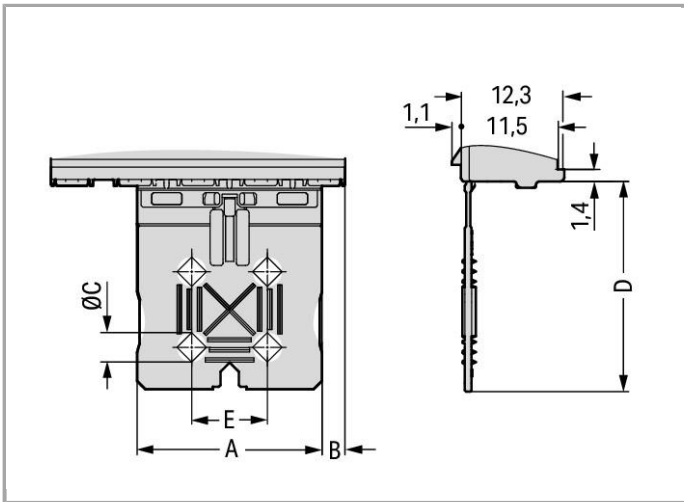
[www.wago.com/2092-3155](http://www.wago.com/2092-3155)



RoHS  Compliant

BOMcheck.net

Color:



### Item description

- Universal connection for all conductor types
- Simple, push-in termination of solid and ferruled conductors
- Easy-to-use design does not require special tools
- Ability to wire while mated or unmated
- Integrated test ports for testing parallel to conductor entry
- Custom-installed solder pins

### Data

#### Electrical data

#### Ratings per IEC/EN 60664-1

|                                 |   |
|---------------------------------|---|
| Rated voltage (III / 3)         | 400 V   |
| Rated impulse voltage (III / 3) | 6 kV  |
| Rated voltage (III / 2)         | 630 V   |
| Rated impulse voltage (III / 2) | 6 kV  |
| Rated voltage (II / 2)          | 1000 V  |
| Rated impulse voltage (II / 2)  | 6 kV  |
| Rated current                   | 16 A  |
| Legend (ratings)                | (III / 2) ≙ Overvoltage category III / Pollution degree 2 |

#### Connection data

|  |   |
|--|---|
| Connection technology                                    | Push-in CAGE CLAMP®                         |
| Actuation type   | Push-button                                 |
| Solid conductor  | 0.2 ... 2.5 mm <sup>2</sup> / 24 ... 12 AWG |
| Fine-stranded conductor                                  | 0.2 ... 2.5 mm <sup>2</sup> / 24 ... 12 AWG |
| Fine-stranded conductor with ferrule with plastic collar | 0.25 ... 1.5 mm <sup>2</sup>                |



|   |                                  |
|---|----------------------------------|
| Fine-stranded conductor with ferrule without plastic collar | 0.25 ... 2.5 mm <sup>2</sup>     |
| Strip length  | 9 ... 10 mm / 0.35 ... 0.39 Inch |
| Conductor entry angle to the PCB                            | 90°                              |
| No. of poles  | 5                                |
| Total number of connection points                           | 5                                |
| Total number of potentials                                  | 5                                |
| Number of connection types                                  | 1                                |
| Number of levels  | 1                                |

### Geometrical Data

|                                   |                           |
|-----------------------------------|---------------------------|
| Pin spacing                       | 7.5 mm (0.295 inch)       |
| Width                             | 35 mm / 1.378 inch        |
| Height                            | 40.4 mm / 1.591 inch      |
| Depth                             | 13.4 mm / 0.528 inch      |
| Solder pin length                 | 3.6 mm                    |
| Solder pin diameter               | 1.4 mm                    |
| Drilled hole diameter (tolerance) | 1.6 <sup>(+ 0.1)</sup> mm |

### Plug connection

|                                    |                         |
|------------------------------------|-------------------------|
| Contact type (pluggable connector) | Female connector/socket |
| Connector connection type          | for PCBs                |
| Mismating protection               | No                      |
| Mating direction to the PCB        | 90°                     |

### PCB contact

|             |     |
|-------------|-----|
| PCB contact | THT |
|-------------|-----|

### Material Data

|                             |                                   |
|-----------------------------|-----------------------------------|
| Color                       | light gray                        |
| Material group              | I                                 |
| Insulating material         | Polyphthalamide (PPA GF)          |
| Flammability class per UL94 | V0                                |
| Clamping spring material    | Chrome nickel spring steel (CrNi) |
| Contact material            | Electrolytic copper (Ecu)         |
| Contact plating             | tin-plated                        |
| Fire load                   | 0.195 MJ                          |
| Weight                      | 7.626 g                           |

## Environmental Requirements

|                         |                 |
|-------------------------|-----------------|
| Limit temperature range | -60 ... +100 °C |
|-------------------------|-----------------|

## Commercial data

|                    |               |
|--------------------|---------------|
| Country of origin  | DE            |
| GTIN               | 4050821164463 |
| Customs Tariff No. | 85366990990   |
| Product Group      | 26 (picoMAX)  |

## Approvals / Certificates

### UL-Approvals


| Logo   | Approval                                       | Certificate name |
|--|--|------------------|
|  | <b>cURus</b><br>Underwriters Laboratories Inc. | E45172           |

## Compatible products

### check

|  |  |  |
|--|--|--|
|  | <b>Item no.: 735-500</b><br>Test pin; with solder connection for test wire | <a href="http://www.wago.com/735-500">www.wago.com/735-500</a> |
|--|--|--|

### tools

|  |   |  |
|--|---|--|
|  | <b>Item no.: 210-719</b><br>Operating tool with partially insulated shaft; Type 1, blade (2.5 x 0.4) mm | <a href="http://www.wago.com/210-719">www.wago.com/210-719</a> |
|--|---|--|

## Downloads

### smartDATA

#### PCB libraries

|  |                      |               |          |
|--|----------------------|---------------|----------|
| DesignSpark Library for WAGO picoMAX®<br>Compatible with DesignSpark PCB Version 4.x or higher | 2.1<br>Oct 6, 2014   | ZIP<br>2.0 MB | Download |
| TARGET Library for WAGO picoMAX®<br>Compatible with TARGET PCB Design Software Version 17.x    | 1.1.0<br>Oct 6, 2014 | ZIP<br>2.4 MB | Download |
| EAGLE Library for WAGO picoMAX®  | 2.1<br>Nov 17, 2017  | ZIP<br>1.9 MB | Download |



## Product family

**picoMAX eCOM**

[Show all products from the family](#)

Subject to changes.

---

WAGO Kontakttechnik GmbH & Co. KG

Hansastr. 27

32423 Minden

Phone: +49571 887-0 | Fax: +49571 887-169

Email: [info.de@wago.com](mailto:info.de@wago.com) | Web: [www.wago.com](http://www.wago.com)

Do you have any questions about our products?

We are always happy to take your call at +49 (571) 887-44222.